

		24 5/8" [625]	28 9/16" [725]	32 1/2" [825]	36 7/16" [925]	40 3/8" [1025]	44 5/16" [1125]	48 1/4" [1225]
		23 5/8" [600]	27 9/16" [700]	31 1/2" [800]	35 7/16" [900]	39 3/8" [1000]	43 5/16" [1100]	47 1/4" [1200]
		19 11/16" [500]	23 5/8" [600]	27 9/16" [700]	31 1/2" [800]	35 7/16" [900]	39 3/8" [1000]	43 5/16" [1100]
<b>OPENING</b>  <b>FRAME</b>  <b>GLASS</b>	36 7/16" [925]							
	40 3/8" [1025]							
	48 1/4" [1225]							
	56 1/8" [1425]							
	60 1/16" [1525]							
	64" [1625]							
	71 7/8" [1825]							
	77 3/4" [1975]							

**Egress Note:**

**Ec** = Window meets the 2006 Ontario Building Code where each such window shall provide an individual, unobstructed open portion having a minimum area of 3.8ft<sup>2</sup> (0.35m<sup>2</sup>) with no dimensions less than 15" (380mm)..

**E1** = Window has an individual, unobstructed open portion of no less than 20" (508mm) in width, 24" (610mm) in height and a minimum area of 5.0ft<sup>2</sup> (0.46m<sup>2</sup>).

**E2** = Window has an individual, unobstructed open portion of no less than 20" (508mm) in width, 24" (610mm) in height and a minimum area of 5.7ft<sup>2</sup> (0.53m<sup>2</sup>).



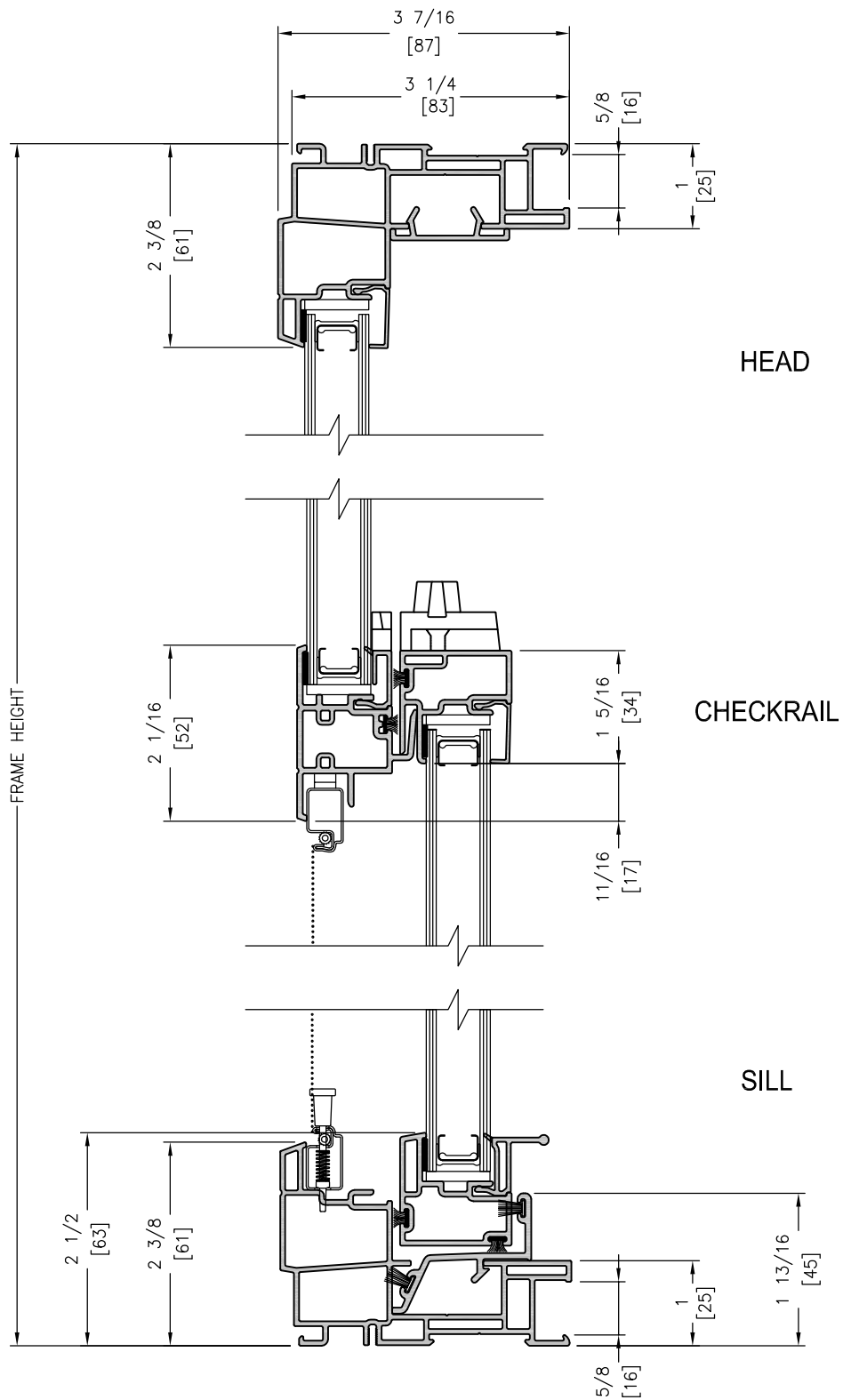
GOLDENVINYL 3000 SERIES  
 SINGLE HUNG WINDOWS  
 STANDARD ELEVATIONS WITH NO GRILLE BARS  
 CONTINUED

	36 7/16" [925]	40 3/8" [1025]	48 1/4" [1225]	56 1/8" [1425]	64" [1625]	71 7/8" [1825]
OPENING	35 7/16" [900]	39 3/8" [1000]	47 1/4" [1200]	55 1/8" [1400]	63" [1600]	70 7/8" [1800]
FRAME	32 15/16" [837]	36 7/8" [937]	44 3/4" [1137]	52 5/8" [1337]	60 1/2" [1537]	68 3/8" [1737]
GLASS						
	PFP0909	PFP1009	PFP1209	PFP1409	PFP1609	PFP1809
	PFP0910	PFP1010	PFP1210	PFP1410	PFP1610	PFP1810
	PFP0912	PFP1012	PFP1212	PFP1412	PFP1612	PFP1812
	PFP0914	PFP10144	PFP1214	PFP1414	PFP1614	PFP1814
	PFP0915	PFP1015	PFP1215	PFP1415	PFP1615	PFP1815
	PFP0916	PFP1016	PFP1216	PFP1416	PFP1616	PFP1816
	PFP0918	PFP1018	PFP1218	PFP1418	PFP1618	
	PFP091950	PFP101950	PFP121950	PFP141950	PFP161950	

FIXED CENTER UNITS

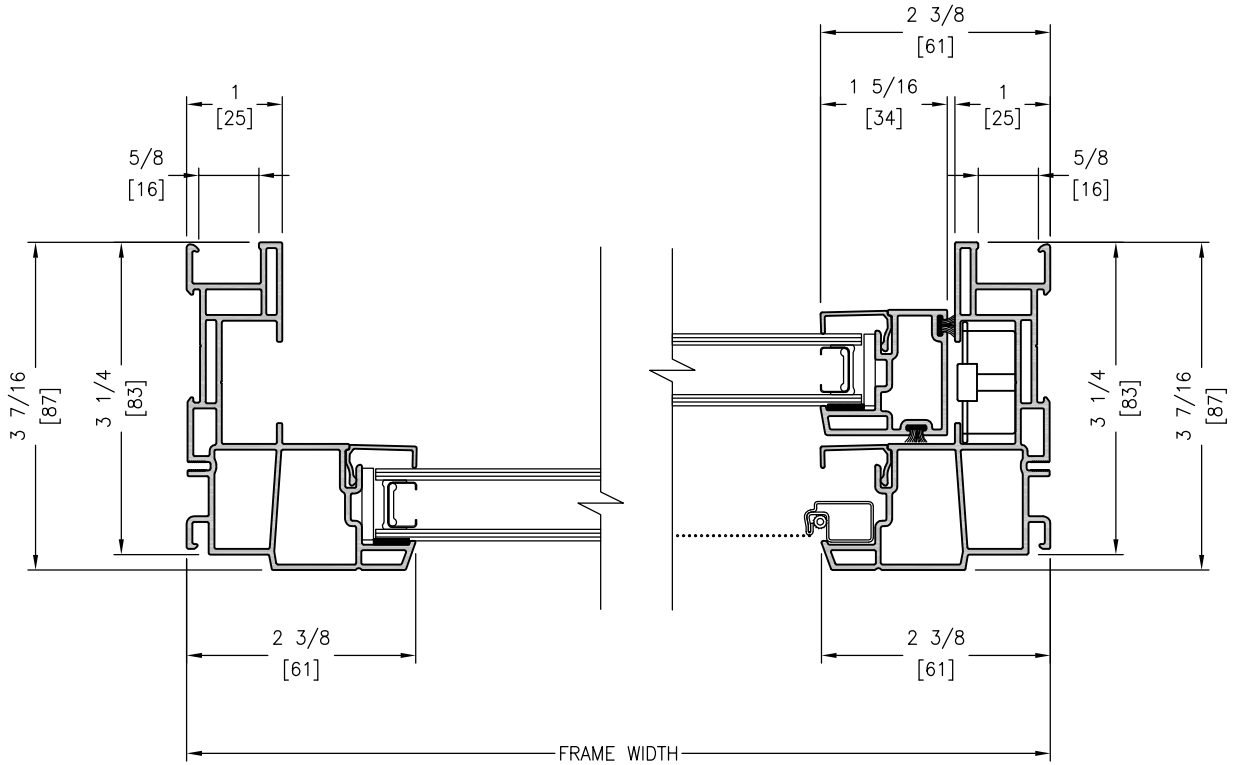
SCALE: 6" = 1'-0"

VERTICAL SECTION



SCALE: 6" = 1'-0"

HORIZONTAL SECTION

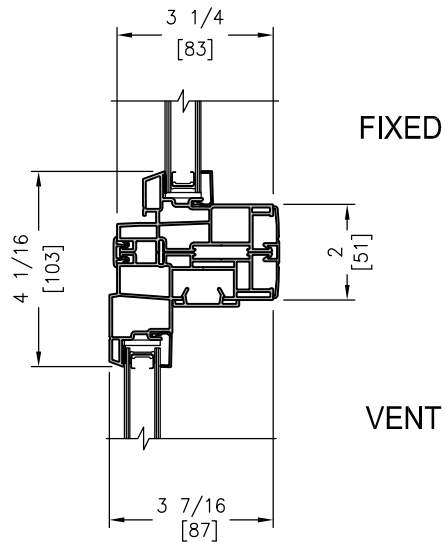


UPPER JAMB

LOWER JAMB

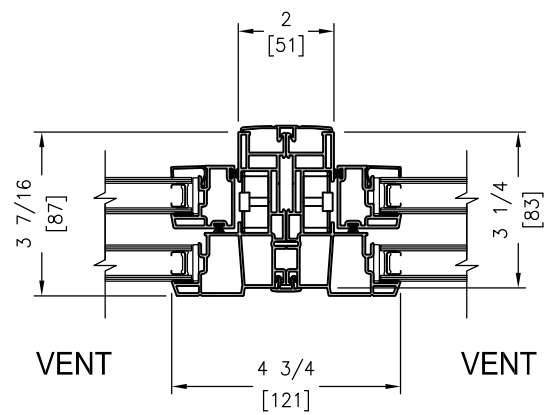
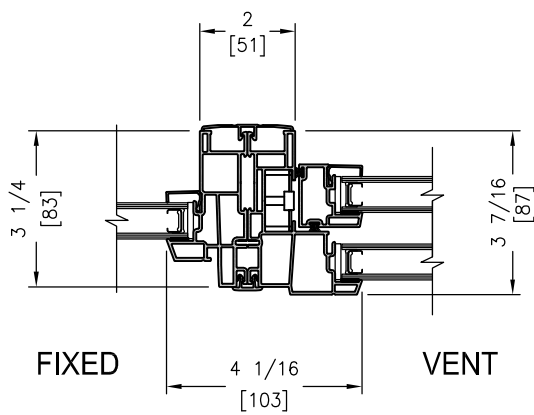
SCALE: 3" = 1'-0"

VERTICAL JOINING MULLIONS

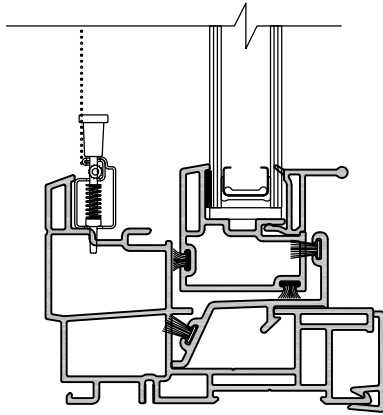


SCALE: 3" = 1'-0"

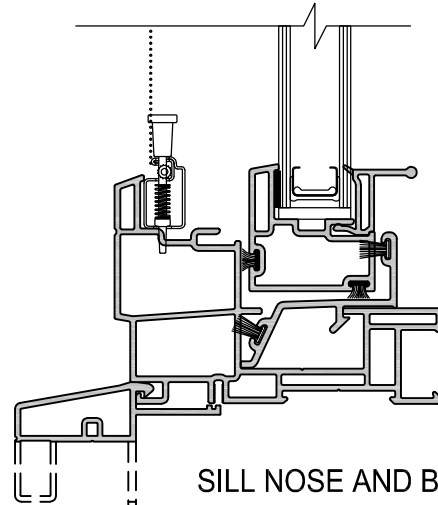
HORIZONTAL JOINING MULLIONS



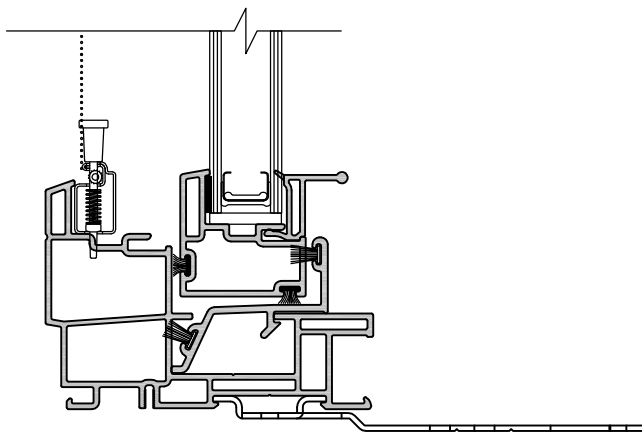
SCALE: 6" = 1'-0"



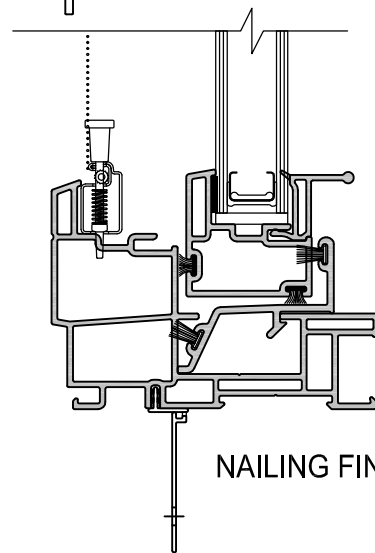
INTERIOR SLOT COVER



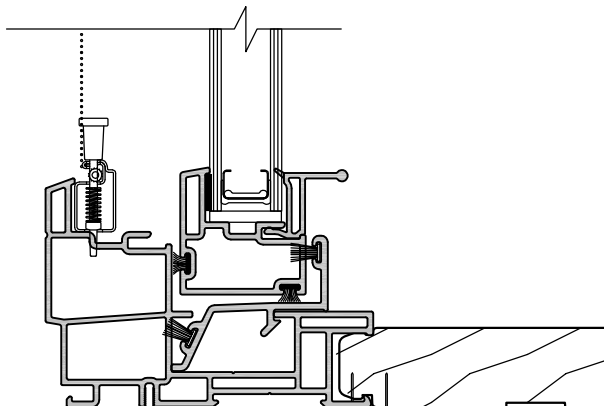
SILL NOSE AND BRICKMOULDS



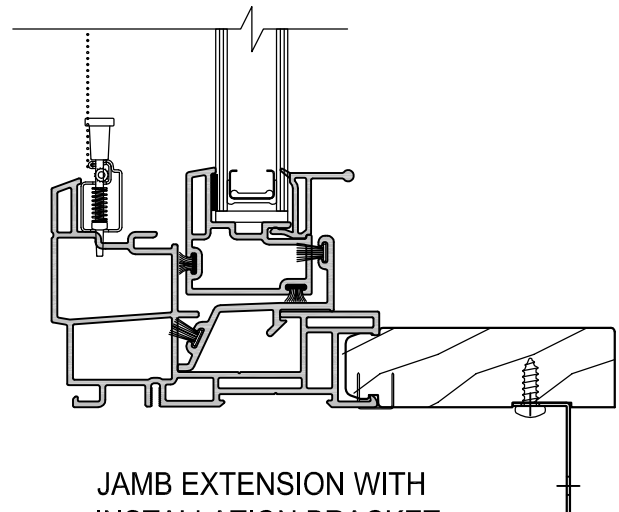
MASONRY CLIP



NAILING FIN



JAMB EXTENSIONS



JAMB EXTENSION WITH  
INSTALLATION BRACKET