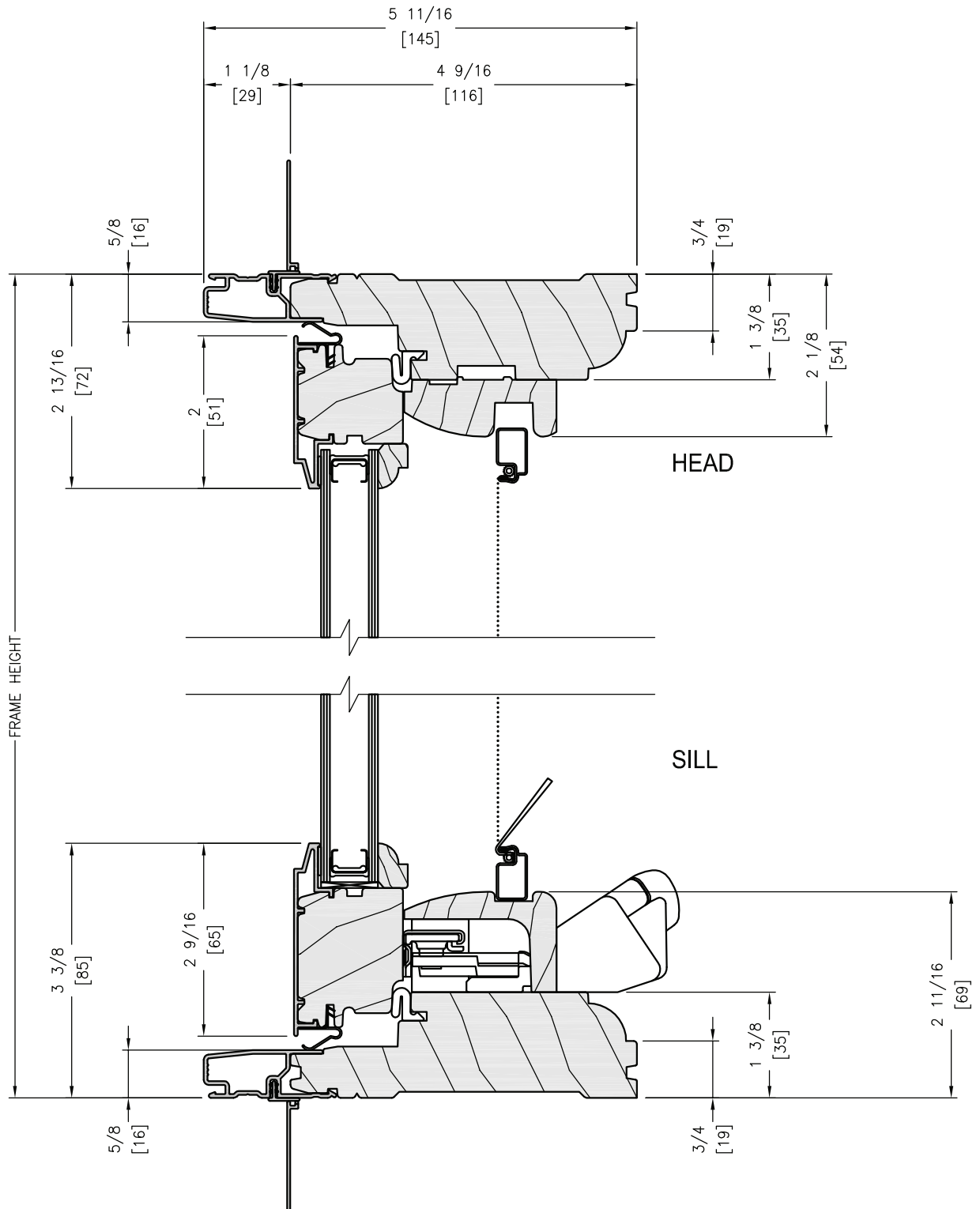
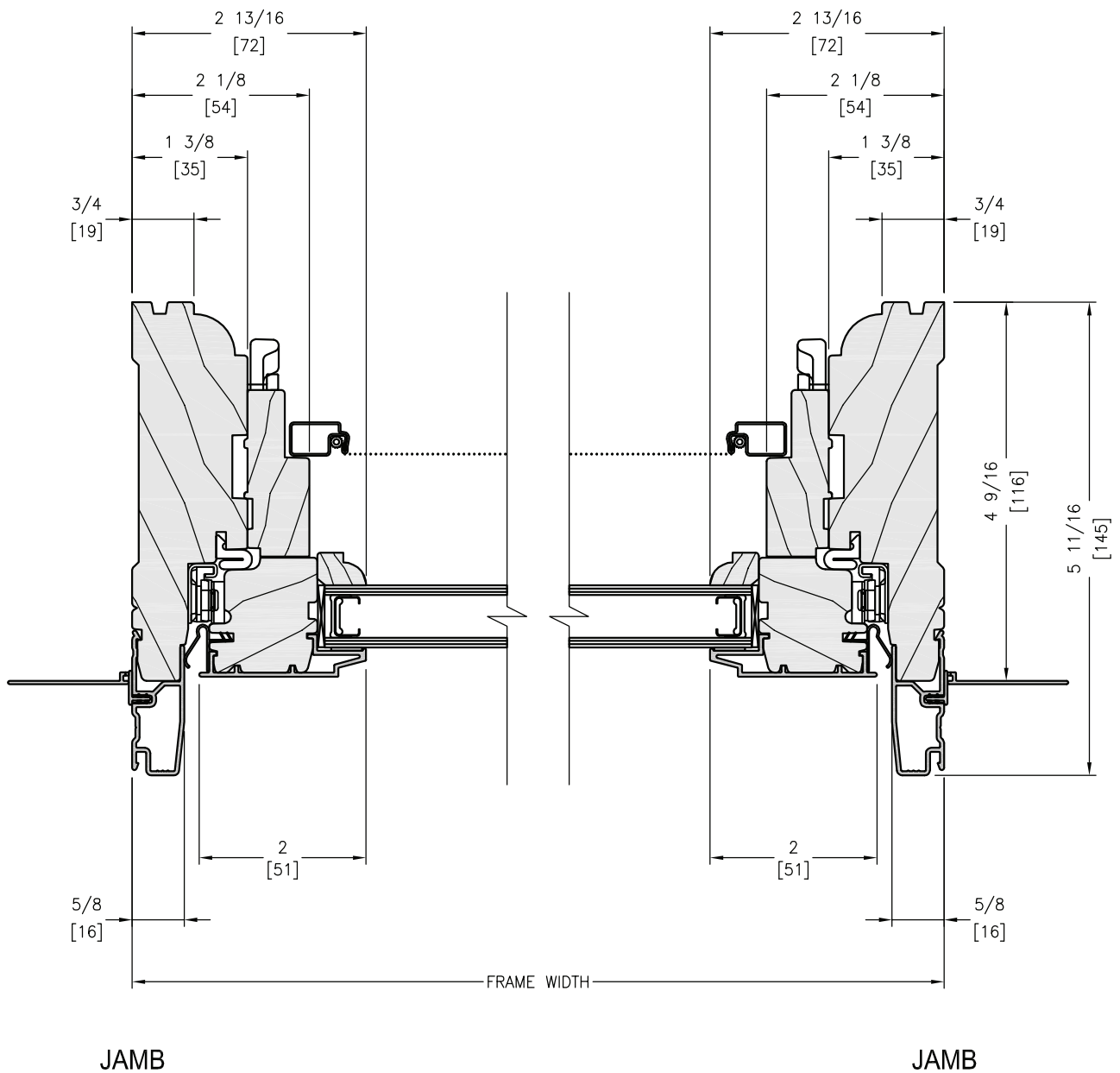
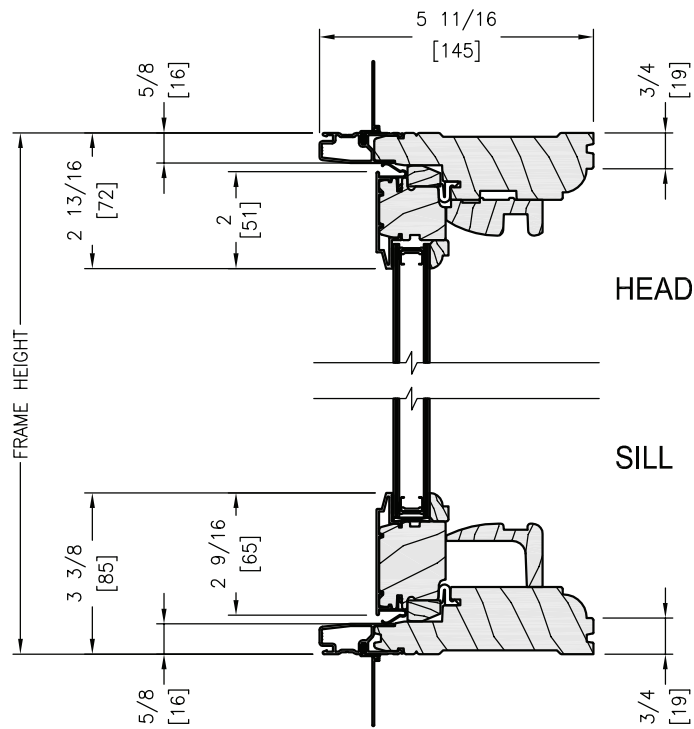
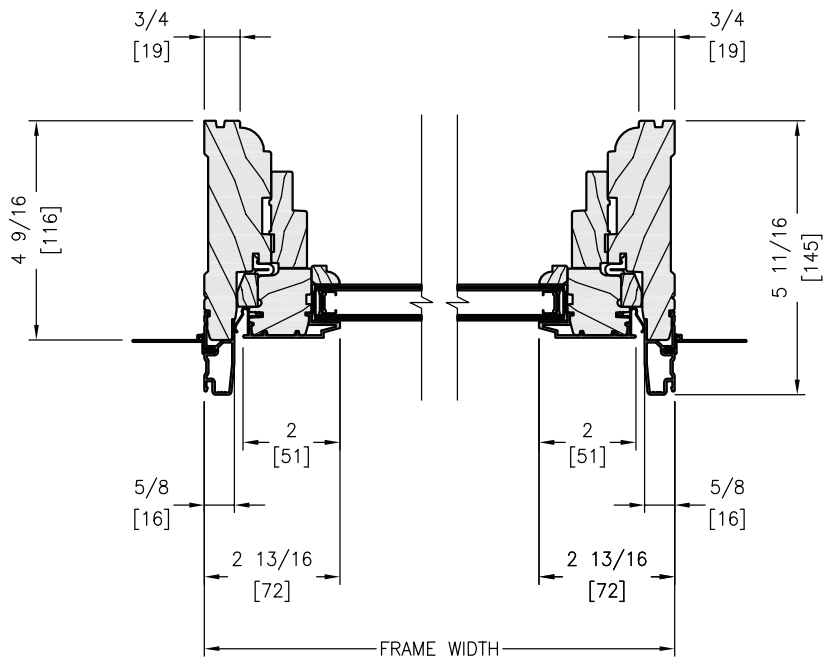


**SCALE: 6" = 1'-0"**
**VERTICAL SECTION**

**UNIT DRAWN WITH OPTIONAL NAILING FIN**

**SCALE: 6" = 1'-0"**
**HORIZONTAL SECTION**


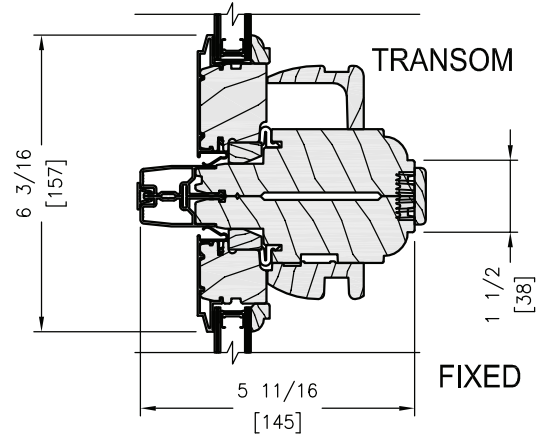
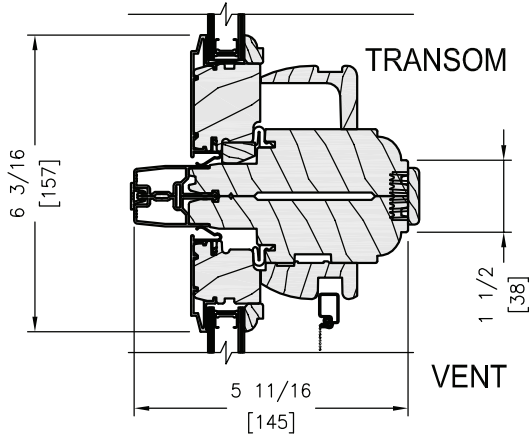
UNIT DRAWN WITH OPTIONAL NAILING FIN

**SCALE: 3" = 1'-0"**
**AWNING WINDOW / TRANSOM WINDOW**

**VERTICAL SECTION**

**JAMB**
**JAMB**
**HORIZONTAL SECTION**

UNIT DRAWN WITH OPTIONAL NAILING FIN

SCALE: 3" = 1'-0"

VERTICAL JOINING MULLIONS



SCALE: 3" = 1'-0"

HORIZONTAL JOINING MULLIONS

