

OPENING	FRAME	GLASS	32 1/2" [825]	36 7/16" [925]	40 3/8" [1025]	48 1/4" [1225]	56 1/8" [1425]
20 11/16" [525]	19 11/16" [500]	14 1/2" [369]	31 1/2" [800]	35 7/16" [900]	39 3/8" [1000]	47 1/4" [1200]	55 1/8" [1400]
24 5/8" [625]	23 5/8" [600]	18 7/16" [469]	26 7/8" [682]	30 13/16" [782]	34 3/4" [882]	42 5/8" [1082]	50 1/2" [1282]
28 9/16" [725]	27 9/16" [700]	22 3/8" [569]	32 1/2" [825]	31 1/2" [800]	31 1/2" [800]	36 7/16" [925]	35 7/16" [900]
32 1/2" [825]	31 1/2" [800]	26 5/16" [669]	36 7/16" [925]	35 7/16" [900]	30 1/4" [769]	40 3/8" [1025]	39 3/8" [1000]
36 7/16" [925]	35 7/16" [900]	30 1/4" [769]	40 3/8" [1025]	39 3/8" [1000]	34 3/16" [869]	48 1/4" [1225]	47 1/4" [1200]
40 3/8" [1025]	39 3/8" [1000]	34 3/16" [869]	48 1/4" [1225]	47 1/4" [1200]	42 1/16" [1069]		

OPERATING OR FIXED UNITS	WA0805	WA0905	WA1005	WA1205	WA1405
	WA0806	WA0906	WA1006	WA1206	WA1406
	WA0807	WA0907	WA1007	WA1207	WA1407
	WA0808	WA0908	WA1008	WA1208	WA1408
	WA0809	WA0909	WA1009	WA1209	WA1409
	WA0810	WA0910	WA1010	WA1210	WA1410
	WA0812	WA0912	WA1012	WA1212	

Note: Any Awning window with a width greater than 1200mm (47-1/4") can not have any other window mulled on top of it.

Brickmould Note:
To get the Brickmould Width, add 3" (76mm) to Frame Width.
To get the Brickmould Height, add 2-1/16" (52mm) to Frame Height.

Note: Any Awning window with a height greater than 800mm (31-1/2") may experience chatter upon closing the sash due to 22" hinge limitations.

COLONIAL ELEVATIONS

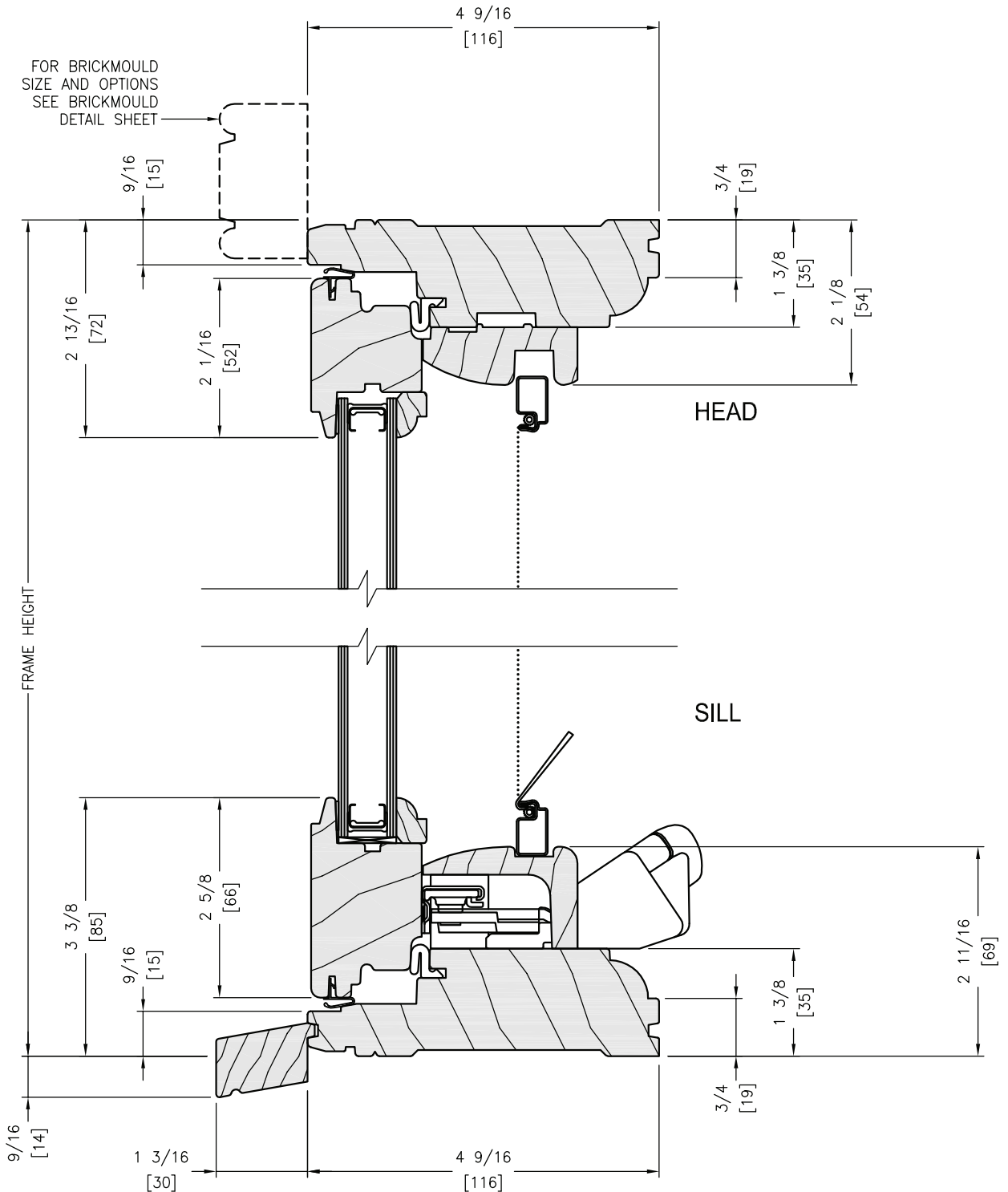
OPENING	FRAME	GLASS	32 1/2" [825]	36 7/16" [925]	40 3/8" [1025]	48 1/4" [1225]	56 1/8" [1425]
20 11/16" [525]	19 11/16" [500]	14 1/2" [369]	31 1/2" [800]	35 7/16" [900]	39 3/8" [1000]	47 1/4" [1200]	55 1/8" [1400]
24 5/8" [625]	23 5/8" [600]	18 7/16" [469]	26 7/8" [682]	30 13/16" [782]	34 3/4" [882]	42 5/8" [1082]	50 1/2" [1282]
28 9/16" [725]	27 9/16" [700]	22 3/8" [569]	32 1/2" [825]	31 1/2" [800]	31 1/2" [800]	36 7/16" [925]	35 7/16" [900]
32 1/2" [825]	31 1/2" [800]	26 5/16" [669]	36 7/16" [925]	35 7/16" [900]	30 1/4" [769]	40 3/8" [1025]	39 3/8" [1000]
36 7/16" [925]	35 7/16" [900]	30 1/4" [769]	40 3/8" [1025]	39 3/8" [1000]	34 3/16" [869]	48 1/4" [1225]	47 1/4" [1200]
40 3/8" [1025]	39 3/8" [1000]	34 3/16" [869]	48 1/4" [1225]	47 1/4" [1200]	42 1/16" [1069]		

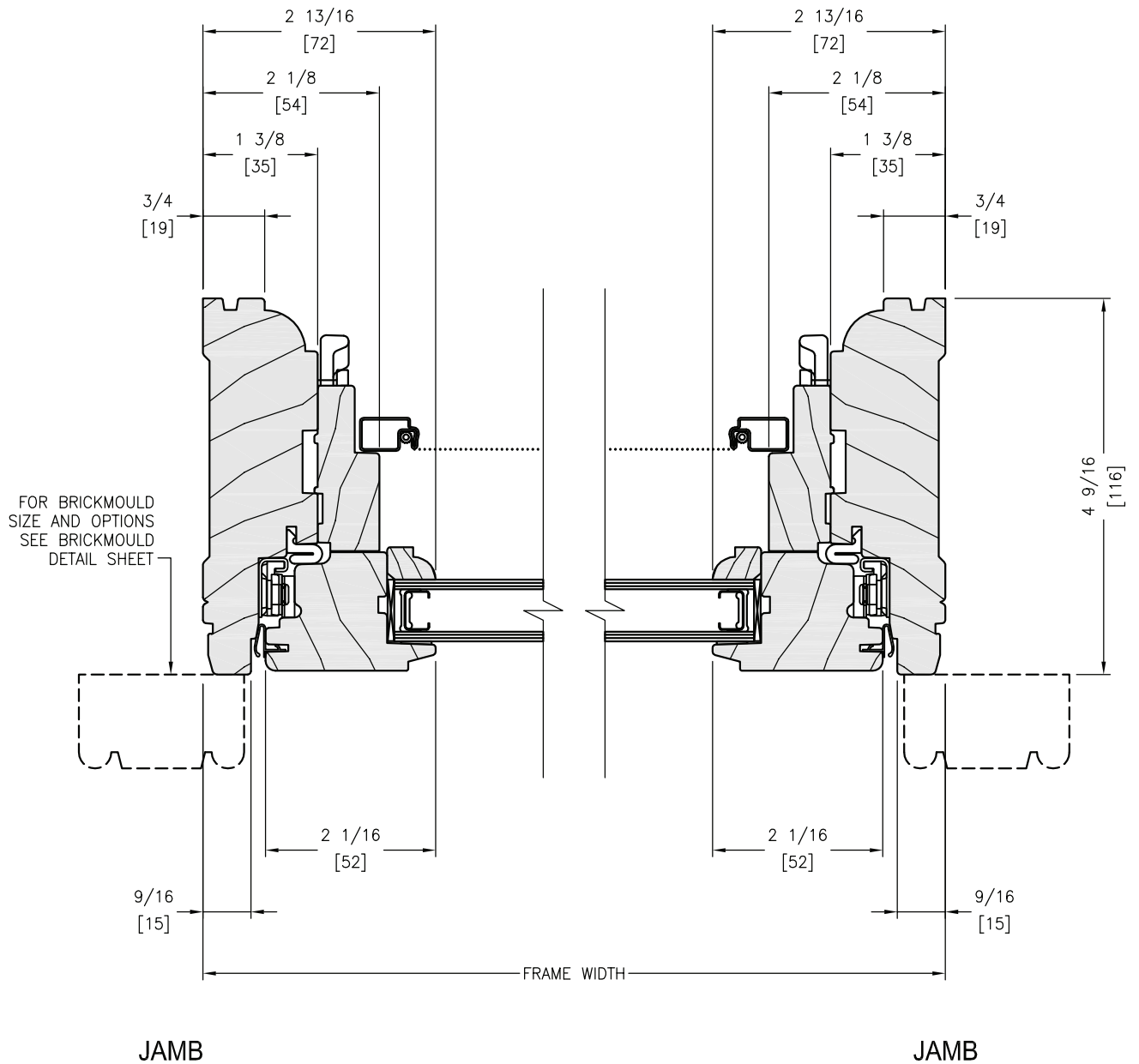
OPERATING OR FIXED UNITS	WA0805	WA0905	WA1005	WA1205	WA1405
	WA0806	WA0906	WA1006	WA1206	WA1406
	WA0807	WA0907	WA1007	WA1207	WA1407
	WA0808	WA0908	WA1008	WA1208	WA1408
	WA0809	WA0909	WA1009	WA1209	WA1409
	WA0810	WA0910	WA1010	WA1210	WA1410
	WA0812	WA0912	WA1012	WA1212	

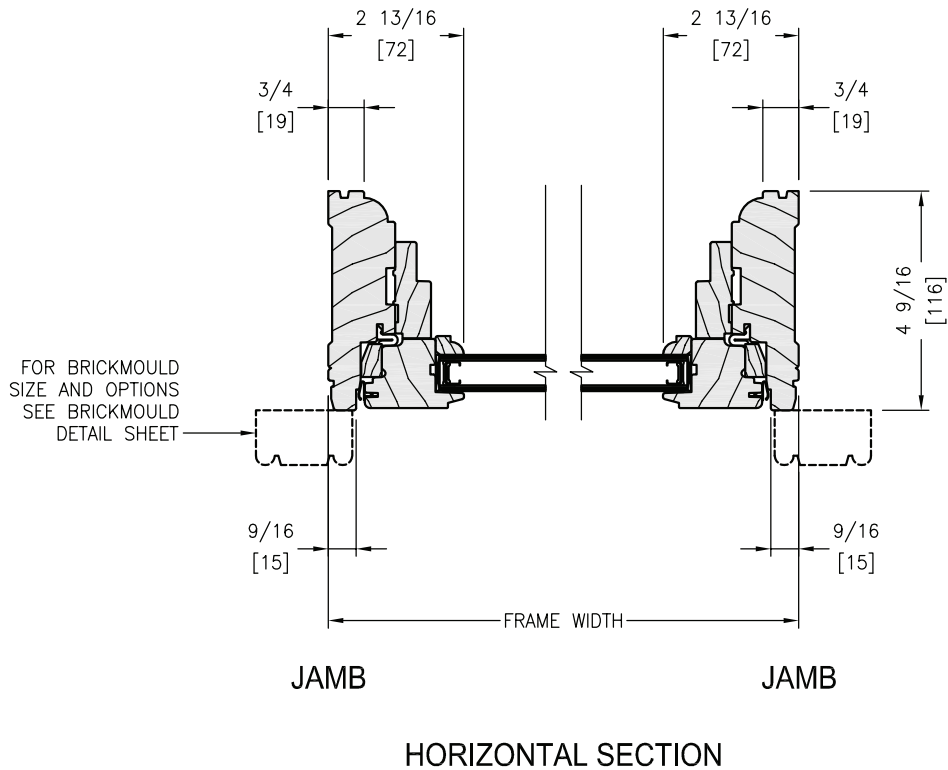
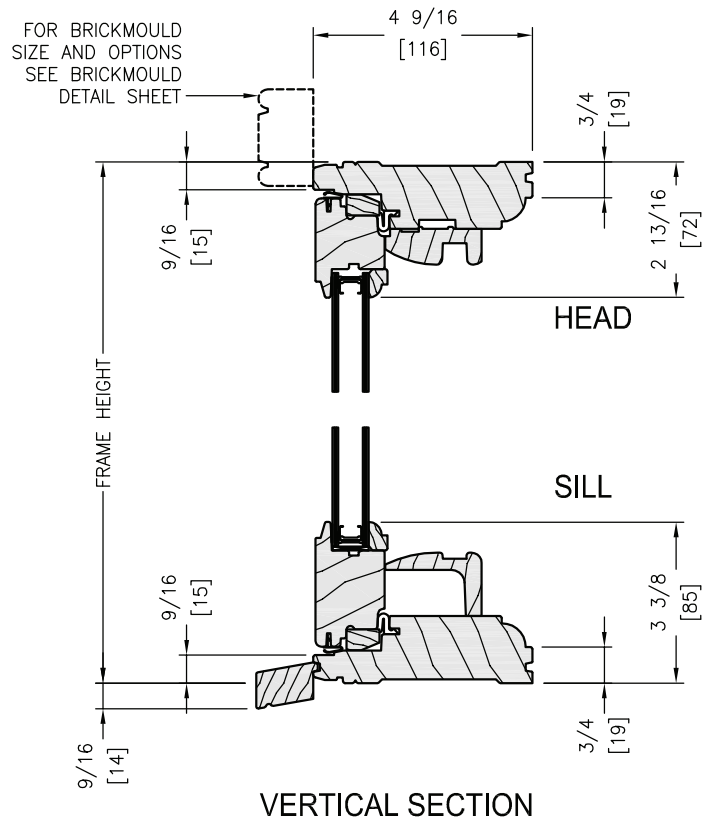
Note: Any Awning window with a width greater than 1200mm (47-1/4") can not have any other window mulled on top of it.

Brickmould Note:
To get the Brickmould Width, add 3" (76mm) to Frame Width.
To get the Brickmould Height, add 2-1/16" (52mm) to Frame Height.

Note: Any Awning window with a height greater than 800mm (31-1/2") may experience chatter upon closing the sash due to 22" hinge limitations.

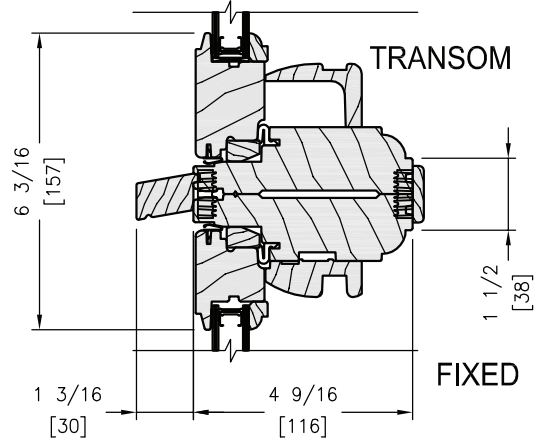
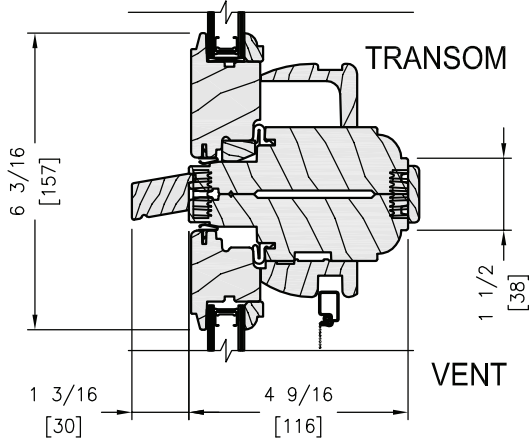
SCALE: 6" = 1'-0"
VERTICAL SECTION


SCALE: 6" = 1'-0"
HORIZONTAL SECTION


SCALE: 3" = 1'-0"
AWNING WINDOW / TRANSOM WINDOW


SCALE: 3" = 1'-0"

VERTICAL JOINING MULLIONS



SCALE: 3" = 1'-0"

HORIZONTAL JOINING MULLIONS

