

OPENING		FRAME		GLASS								
24 5/8"	28 9/16"	32 1/2"	36 7/16"	40 3/8"	44 5/16"	48 1/4"						
[625]	[725]	[825]	[925]	[1025]	[1125]	[1225]						
23 5/8"	27 9/16"	31 1/2"	35 7/16"	39 3/8"	43 5/16"	47 1/4"						
[600]	[700]	[800]	[900]	[1000]	[1100]	[1200]						
17 5/8"	21 9/16"	25 1/2"	29 7/16"	33 3/8"	37 5/16"	41 1/4"						
[447]	[547]	[647]	[747]	[847]	[947]	[1047]						
16 3/4"	20 11/16"	24 5/8"	36 7/16"	40 3/8"	48 1/4"							
[425]	[525]	[625]	[925]	[1025]	[1225]							
15 3/4"	19 11/16"	23 5/8"	35 7/16"	39 3/8"	47 1/4"							
[400]	[500]	[600]	[900]	[1000]	[1200]							
11"	14 15/16"	18 7/8"	13 3/4"	15 3/4"	19 11/16"							
[279]	[379]	[479]	[350]	[400]	[500]							
FIXED TRANSOM UNITS												
WDHT0604	WDHT0704	WDHT0804	WDHT0904	WDHT1004	WDHT1104	WDHT1204						
WDHT0605	WDHT0705	WDHT0805	WDHT0905	WDHT1005	WDHT1105	WDHT1205						
WDHT0606	WDHT0706	WDHT0806	WDHT0906	WDHT1006	WDHT1106	WDHT1206						
WDH0609	WDH0709	WDH0809	WDH0909	WDH1009	WDH1109							
WDH0610	WDH0710	WDH0810	WDH0910	WDH1010	WDH1110							
WDH0612	WDH0712	WDH0812	Ec	Ec	Ec	Ec						
WDH0614	Ec	Ec	Ec	Ec	Ec	Ec						
WDH0615	Ec	Ec	Ec	Ec	Ec	Ec						
WDH0616	Ec	E1	E2	E2	E2	E2						
WDH0618	Ec	E2	E2	E2	E2	E2						
WDH061950	E1	E2	E2	E2	E2	E2						

Brickmould Note:

To get the Brickmould Width, add 3" (76mm) to Frame Width.

To get the Brickmould Height, add 2" (51mm) to Frame Height.

Egress Note:

Ec = Window meets the 2006 Ontario Building Code where each such window shall provide an individual, unobstructed open portion having a minimum area of 3.8ft² (0.35m²) with no dimensions less than 15" (380mm).

E1 = Window has an individual, unobstructed open portion of no less than 20" (508mm) in width, 24" (610mm) in height and a minimum area of 5.0ft² (0.46m²).

E2 = Window has an individual, unobstructed open portion of no less than 20" (508mm) in width, 24" (610mm) in height and a minimum area of 5.7ft² (0.53m²).

Brickmould Note:

To get the Brickmould Width, add 3" (76mm) to Frame Width.

To get the Brickmould Height, add 1-1/2" (38mm) to Frame Height.

		40 3/8" [1025]	48 1/4" [1225]	56 1/8" [1425]	64" [1625]	71 7/8" [1825]
OPENING		39 3/8" [1000]	47 1/4" [1200]	55 1/8" [1400]	63" [1600]	70 7/8" [1800]
FRAME		33 3/8" [847]	41 1/4" [1047]	49 1/8" [1247]	56 15/16" [1447]	64 13/16" [1647]
GLASS						
FIXED TRANSOM UNITS	16 3/4" [425]	WDHT1004	WDHT1204	WDHT1404	WDHT1604	WDHT1804
	20 11/16" [525]	WDHT1005	WDHT1205	WDHT1405	WDHT1605	WDHT1805
	24 5/8" [625]	WDHT1006	WDHT1206	WDHT1406	WDHT1606	WDHT1806
	36 7/16" [925]	WDHF1009	WDHF1209	WDHF1409	WDHF1609	WDHF1809
	40 3/8" [1025]	WDHF1010	WDHF1210	WDHF1410	WDHF1610	WDHF1810
	48 1/4" [1225]	WDHF1012	WDHF1212	WDHF1412	WDHF1612	WDHF1812
	56 1/8" [1425]	WDHF1014	WDHF1214	WDHF1414	WDHF1614	WDHF1814
	60 1/16" [1525]	WDHF1015	WDHF1215	WDHF1415	WDHF1615	WDHF1815
	64" [1625]	WDHF1016	WDHF1216	WDHF1416	WDHF1616	WDHF1816
	71 7/8" [1825]	WDHF1018	WDHF1218	WDHF1418	WDHF1618	
FIXED PICTURE UNITS	77 3/4" [1975]	WDHF101950	WDHF121950	WDHF141950	WDHF161950	
	76 3/4" [1950]					
	70 5/16" [1786]					
	70 7/8" [1800]					
	64 7/16" [1636]					
	56 9/16" [1436]					
	52 5/8" [1336]					
	48 11/16" [1236]					
	40 13/16" [1036]					
	32 15/16" [836]					
29" [736]						
18 7/8" [479]						
14 15/16" [379]						
11" [279]						

Brickmould Note:

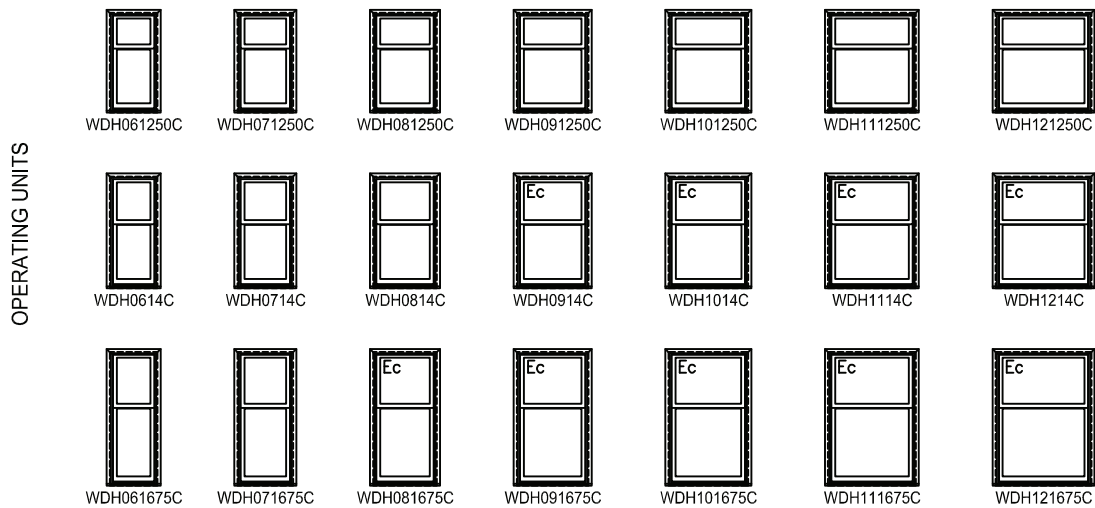
To get the Brickmould Width, add 3" (76mm) to Frame Width.

To get the Brickmould Height, add 2" (51mm) to Frame Height.

Brickmould Note:

To get the Brickmould Width, add 3" (76mm) to Frame Width.

To get the Brickmould Height, add 1-1/2" (38mm) to Frame Height.

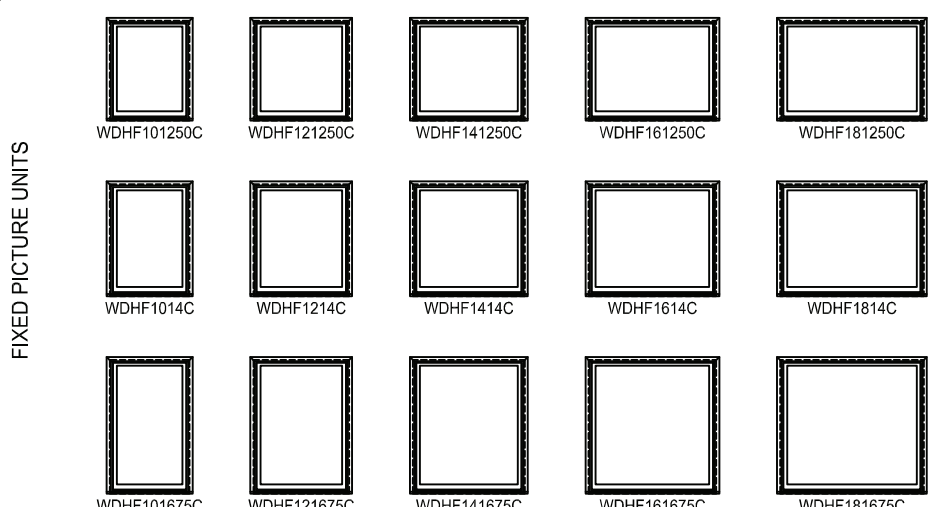
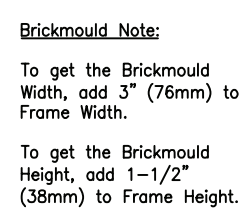
OPENING	FRAME	GLASS	24 5/8"	28 9/16"	32 1/2"	36 7/16"	40 3/8"	44 5/16"	48 1/4"			
			[625]	[725]	[825]	[925]	[1025]	[1125]	[1225]			
			23 5/8"	27 9/16"	31 1/2"	35 7/16"	39 3/8"	43 5/16"	47 1/4"			
			[600]	[700]	[800]	[900]	[1000]	[1100]	[1200]			
			17 5/8"	21 9/16"	25 1/2"	29 7/16"	33 3/8"	37 5/16"	41 1/4"			
			[447]	[547]	[647]	[747]	[847]	[947]	[1047]			
50 3/16"	49 3/16"	27 9/16"	 <p>OPERATING UNITS</p>							[1275]	[350]	
56 1/8"	55 1/8"	27 9/16"								[700]	[500]	
66 15/16"	65 15/16"	34 7/16"								[1700]	[1675]	[875]
			27 9/16"	19 11/16"	13 3/4"					[700]	[350]	
			[700]	[500]	[600]					[700]	[500]	
			66 15/16"	65 15/16"	34 7/16"					[1700]	[1675]	[875]
			[1700]	[1675]	[875]					[1700]	[1675]	[875]
			50 3/16"	49 3/16"	27 9/16"					[1275]	[350]	
			[1275]	[1250]	[700]					[1275]	[350]	
			56 1/8"	55 1/8"	27 9/16"					[1425]	[500]	
			[1425]	[1400]	[700]					[1425]	[500]	
			66 15/16"	65 15/16"	34 7/16"					[1700]	[1675]	[875]
			[1700]	[1675]	[875]					[1700]	[1675]	[875]

Egress Note:

- Ec = Window meets the 2006 Ontario Building Code where each such window shall provide an individual, unobstructed open portion having a minimum area of 3.8ft² (0.35m²) with no dimensions less than 15" (380mm).
- E1 = Window has an individual, unobstructed open portion of no less than 20" (508mm) in width, 24" (610mm) in height and a minimum area of 5.0ft² (0.46m²).
- E2 = Window has an individual, unobstructed open portion of no less than 20" (508mm) in width, 24" (610mm) in height and a minimum area of 5.7ft² (0.53m²).

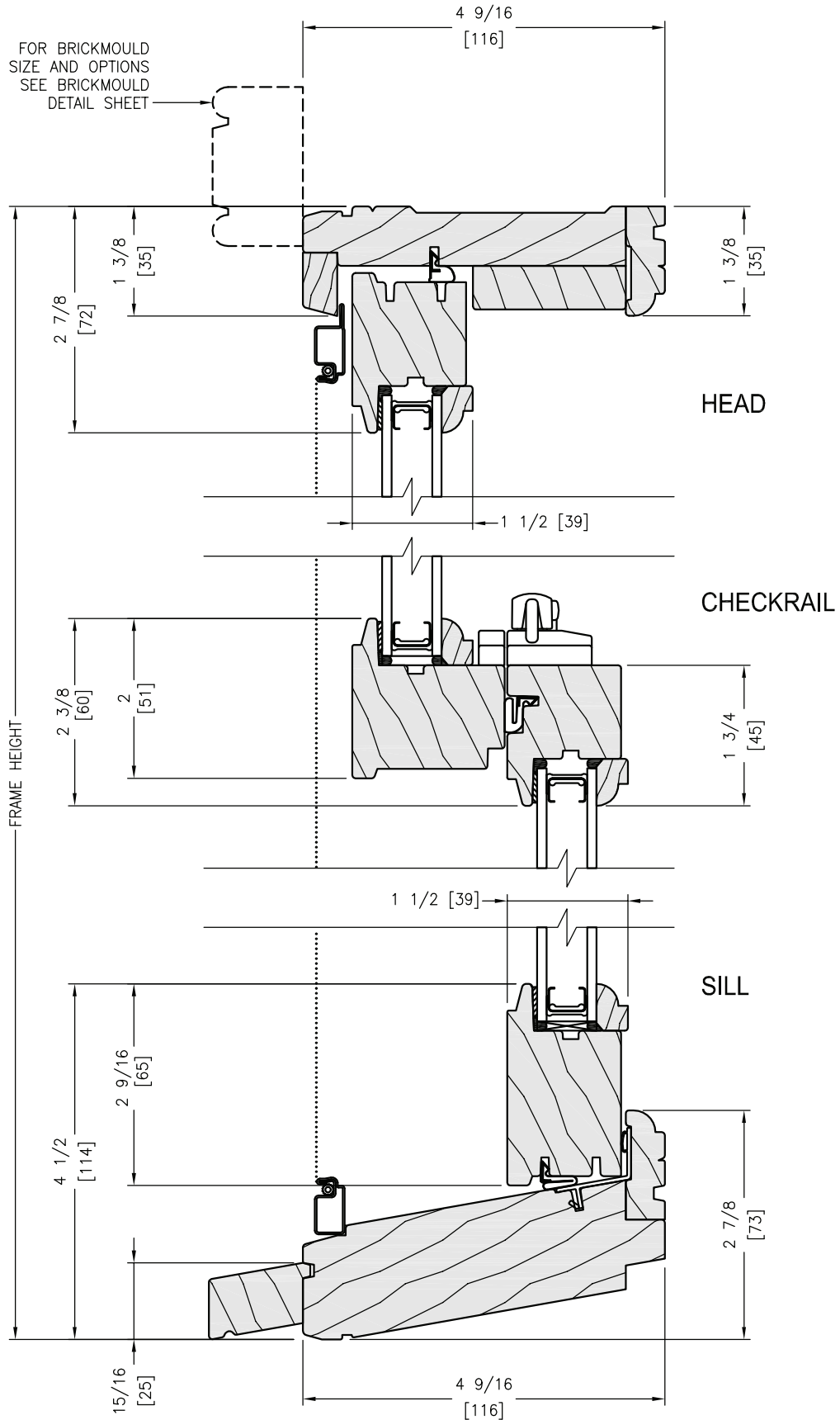
Brickmould Note:

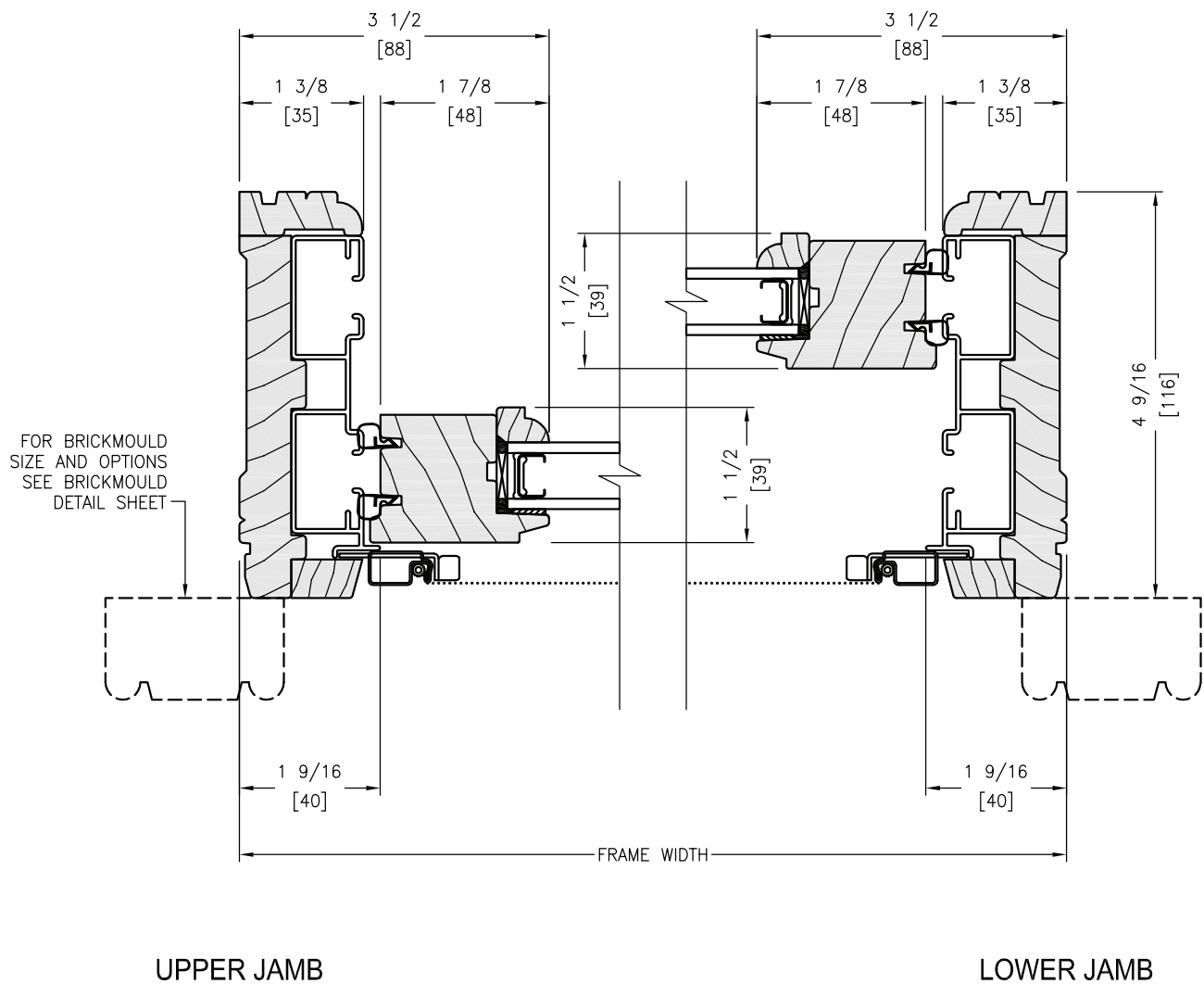
- To get the Brickmould Width, add 3" (76mm) to Frame Width.
- To get the Brickmould Height, add 1-1/2" (38mm) to Frame Height.

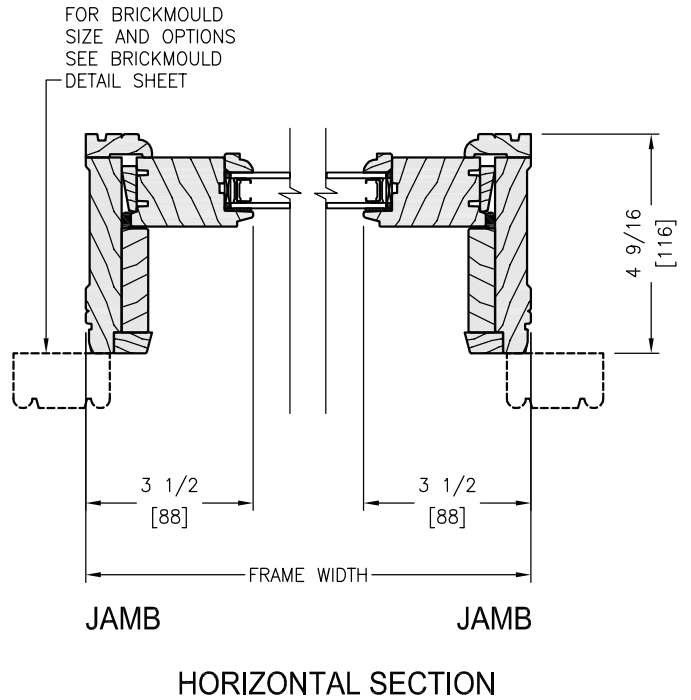
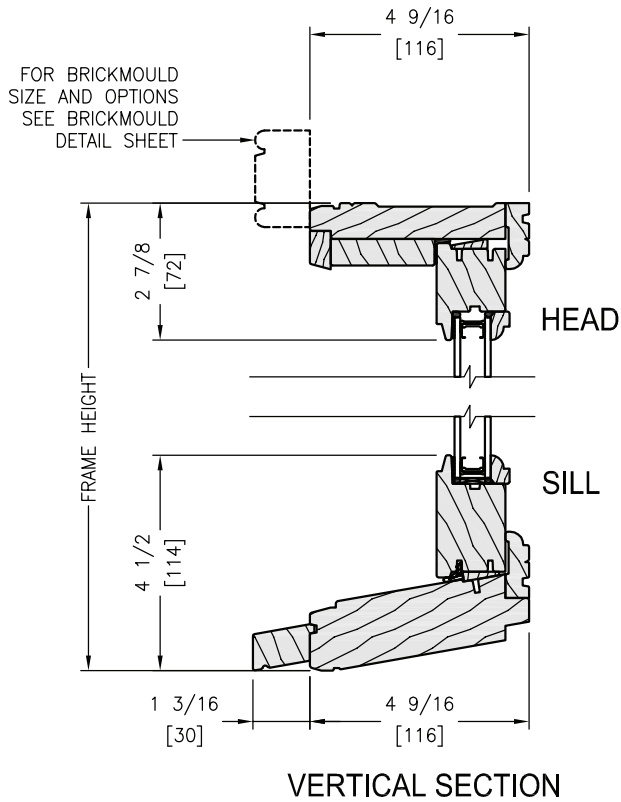
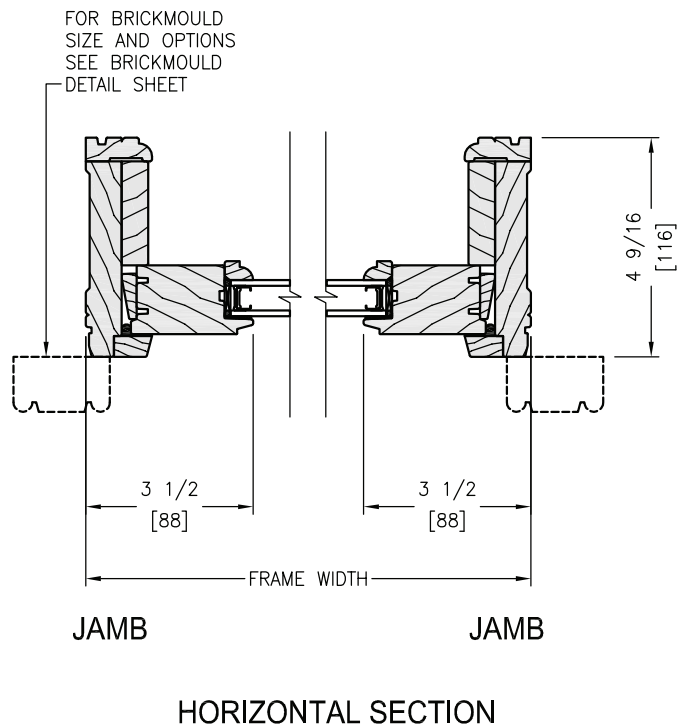
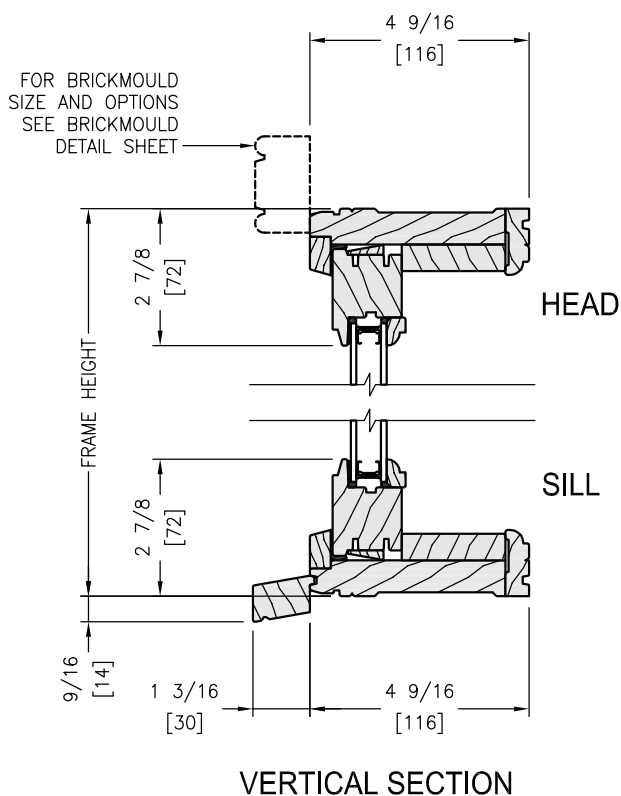
OPENING	FRAME	GLASS	40 3/8"	48 1/4"	56 1/8"	64"	71 7/8"			
			[1025]	[1225]	[1425]	[1625]	[1825]			
			39 3/8"	47 1/4"	55 1/8"	63"	70 7/8"			
			[1000]	[1200]	[1400]	[1600]	[1800]			
			33 3/8"	41 1/4"	49 1/8"	56 15/16"	64 13/16"			
			[847]	[1047]	[1247]	[1447]	[1647]			
50 3/16"	49 3/16"	27 9/16"	 <p>FIXED PICTURE UNITS</p>					[1275]	[1086]	
56 1/8"	55 1/8"	48 11/16"						[1425]	[1400]	[1236]
66 15/16"	65 15/16"	59 1/2"						[1700]	[1675]	[1511]
			40 3/8" <td>48 1/4" <td>56 1/8" <td>64" <td>71 7/8" </td></td></td></td>	48 1/4" <td>56 1/8" <td>64" <td>71 7/8" </td></td></td>	56 1/8" <td>64" <td>71 7/8" </td></td>	64" <td>71 7/8" </td>	71 7/8"			
			[1025] <td>[1225] <td>[1425] <td>[1625] <td>[1825] </td></td></td></td>	[1225] <td>[1425] <td>[1625] <td>[1825] </td></td></td>	[1425] <td>[1625] <td>[1825] </td></td>	[1625] <td>[1825] </td>	[1825]			
			39 3/8" <td>47 1/4" <td>55 1/8" <td>63" <td>70 7/8" </td></td></td></td>	47 1/4" <td>55 1/8" <td>63" <td>70 7/8" </td></td></td>	55 1/8" <td>63" <td>70 7/8" </td></td>	63" <td>70 7/8" </td>	70 7/8"			
			[1000] <td>[1200] <td>[1400] <td>[1600] <td>[1800] </td></td></td></td>	[1200] <td>[1400] <td>[1600] <td>[1800] </td></td></td>	[1400] <td>[1600] <td>[1800] </td></td>	[1600] <td>[1800] </td>	[1800]			
			33 3/8" <td>41 1/4" <td>49 1/8" <td>56 15/16" <td>64 13/16" </td></td></td></td>	41 1/4" <td>49 1/8" <td>56 15/16" <td>64 13/16" </td></td></td>	49 1/8" <td>56 15/16" <td>64 13/16" </td></td>	56 15/16" <td>64 13/16" </td>	64 13/16"			
			[847] <td>[1047] <td>[1247] <td>[1447] <td>[1647] </td></td></td></td>	[1047] <td>[1247] <td>[1447] <td>[1647] </td></td></td>	[1247] <td>[1447] <td>[1647] </td></td>	[1447] <td>[1647] </td>	[1647]			
50 3/16"	49 3/16"	27 9/16"	 <p>Brickmould Note:</p> <p>To get the Brickmould Width, add 3" (76mm) to Frame Width.</p> <p>To get the Brickmould Height, add 1-1/2" (38mm) to Frame Height.</p>					[1275]	[1086]	
56 1/8"	55 1/8"	48 11/16"						[1425]	[1400]	[1236]
66 15/16"	65 15/16"	59 1/2"						[1700]	[1675]	[1511]
			40 3/8" <td>48 1/4" <td>56 1/8" <td>64" <td>71 7/8" </td></td></td></td>	48 1/4" <td>56 1/8" <td>64" <td>71 7/8" </td></td></td>	56 1/8" <td>64" <td>71 7/8" </td></td>	64" <td>71 7/8" </td>	71 7/8"			
			[1025] <td>[1225] <td>[1425] <td>[1625] <td>[1825] </td></td></td></td>	[1225] <td>[1425] <td>[1625] <td>[1825] </td></td></td>	[1425] <td>[1625] <td>[1825] </td></td>	[1625] <td>[1825] </td>	[1825]			
			39 3/8" <td>47 1/4" <td>55 1/8" <td>63" <td>70 7/8" </td></td></td></td>	47 1/4" <td>55 1/8" <td>63" <td>70 7/8" </td></td></td>	55 1/8" <td>63" <td>70 7/8" </td></td>	63" <td>70 7/8" </td>	70 7/8"			
			[1000] <td>[1200] <td>[1400] <td>[1600] <td>[1800] </td></td></td></td>	[1200] <td>[1400] <td>[1600] <td>[1800] </td></td></td>	[1400] <td>[1600] <td>[1800] </td></td>	[1600] <td>[1800] </td>	[1800]			
			33 3/8" <td>41 1/4" <td>49 1/8" <td>56 15/16" <td>64 13/16" </td></td></td></td>	41 1/4" <td>49 1/8" <td>56 15/16" <td>64 13/16" </td></td></td>	49 1/8" <td>56 15/16" <td>64 13/16" </td></td>	56 15/16" <td>64 13/16" </td>	64 13/16"			
			[847] <td>[1047] <td>[1247] <td>[1447] <td>[1647] </td></td></td></td>	[1047] <td>[1247] <td>[1447] <td>[1647] </td></td></td>	[1247] <td>[1447] <td>[1647] </td></td>	[1447] <td>[1647] </td>	[1647]			

SCALE: 6" = 1'-0"

VERTICAL SECTION

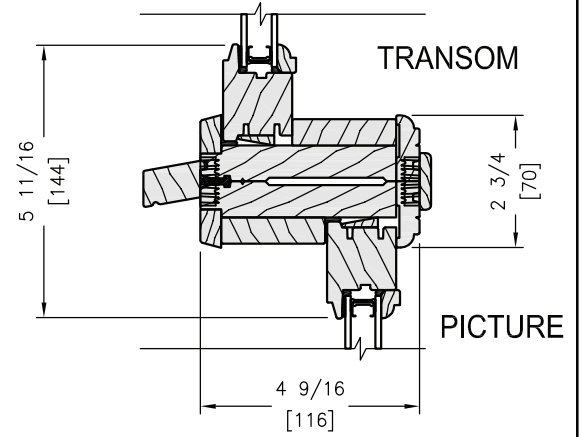
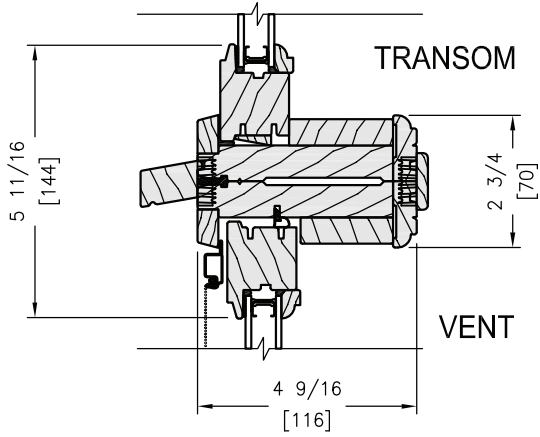


SCALE: 6" = 1'-0"
HORIZONTAL SECTION


SCALE: 3" = 1'-0"
DOUBLE HUNG PICTURE WINDOW

SCALE: 3" = 1'-0"
DOUBLE HUNG TRANSOM WINDOW


SCALE: 3" = 1'-0"

VERTICAL JOINING MULLIONS



SCALE: 3" = 1'-0"

HORIZONTAL JOINING MULLIONS

