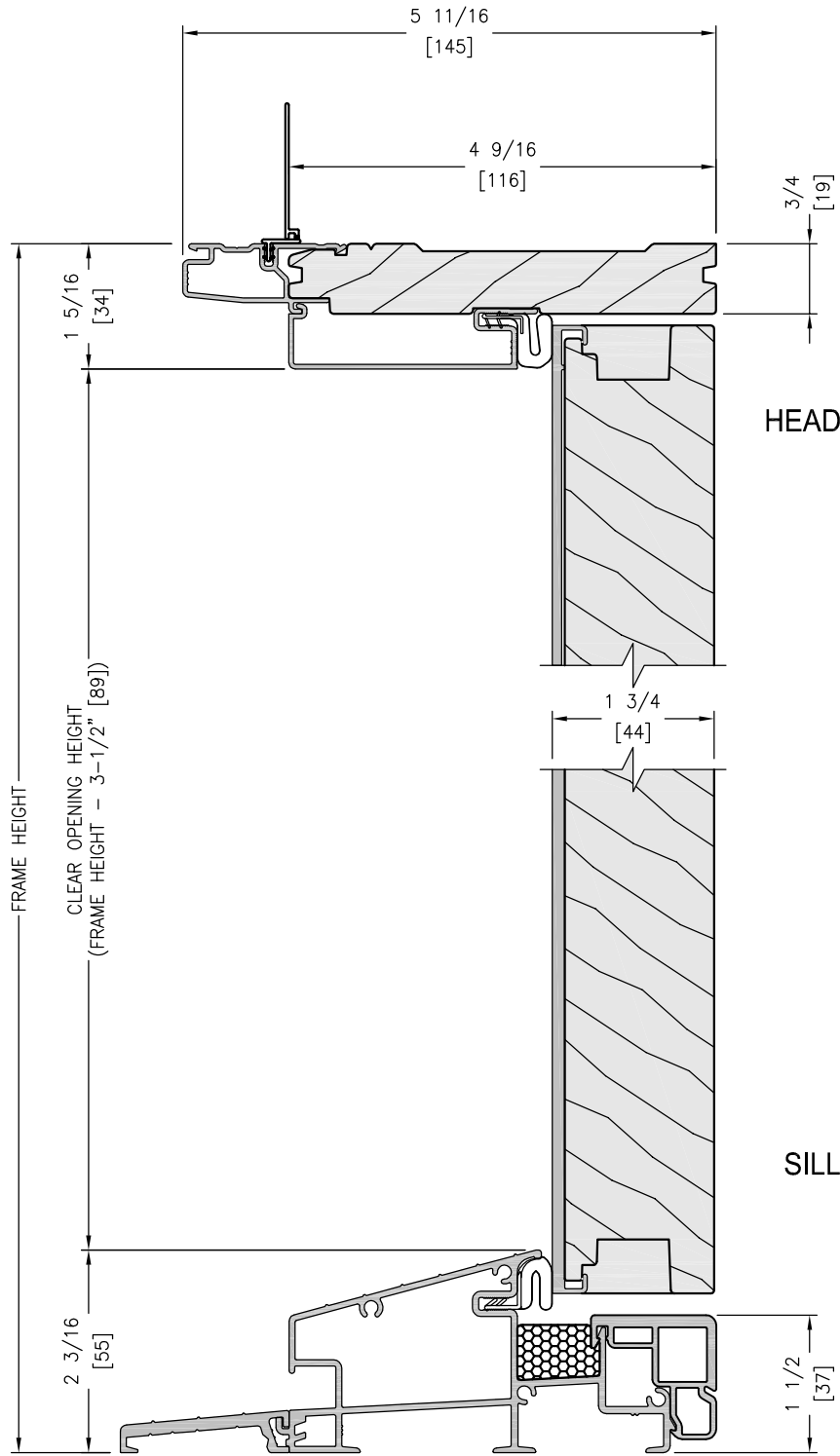
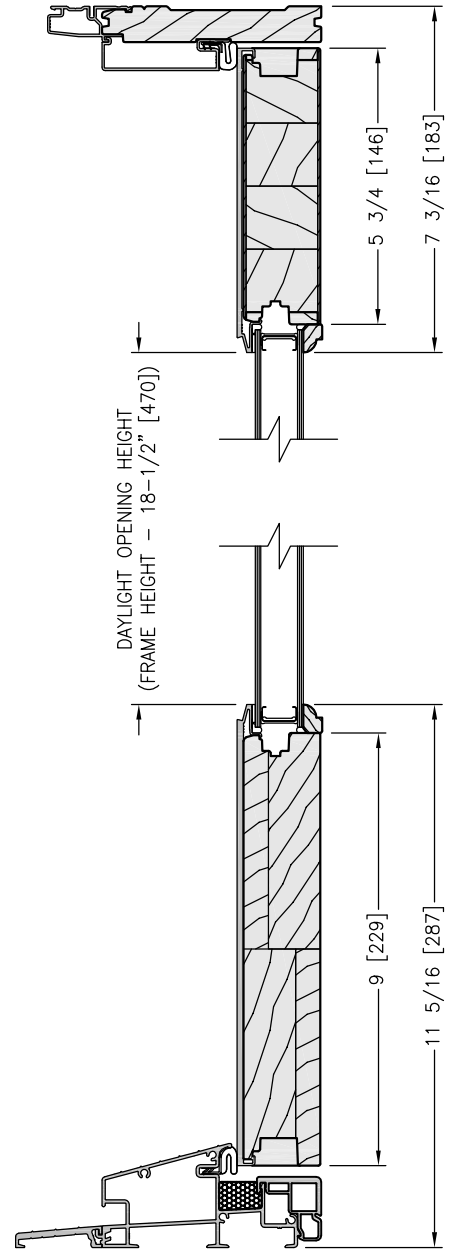


INSWING VERTICAL SECTIONS

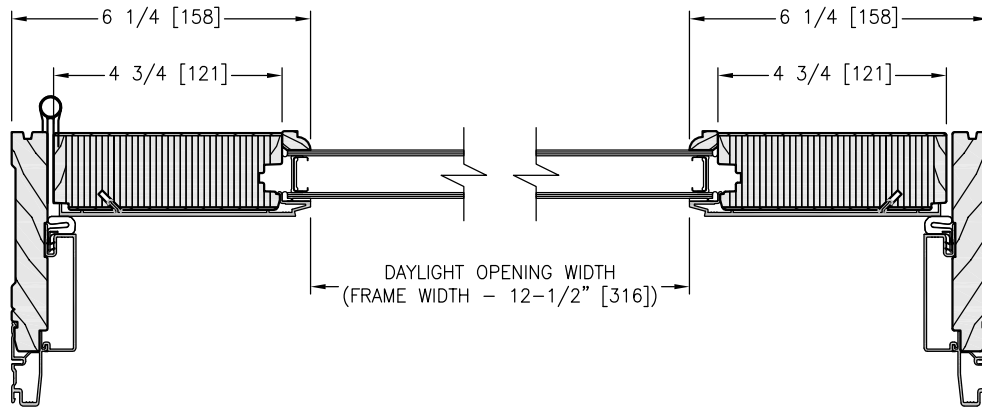


SCALE: 6" = 1'-0"

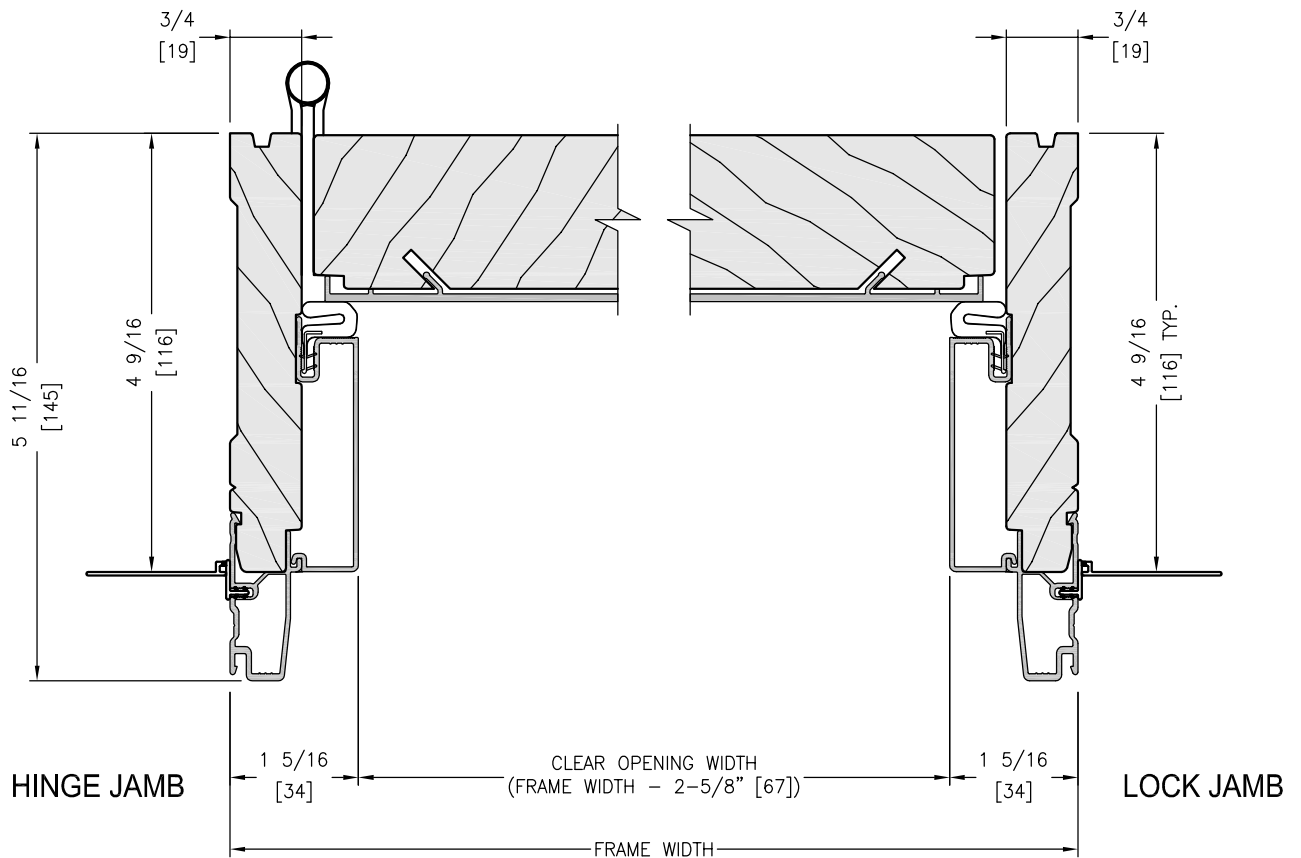


SCALE: 3" = 1'-0"

INSWING HORIZONTAL SECTIONS



SCALE: 3" = 1'-0"

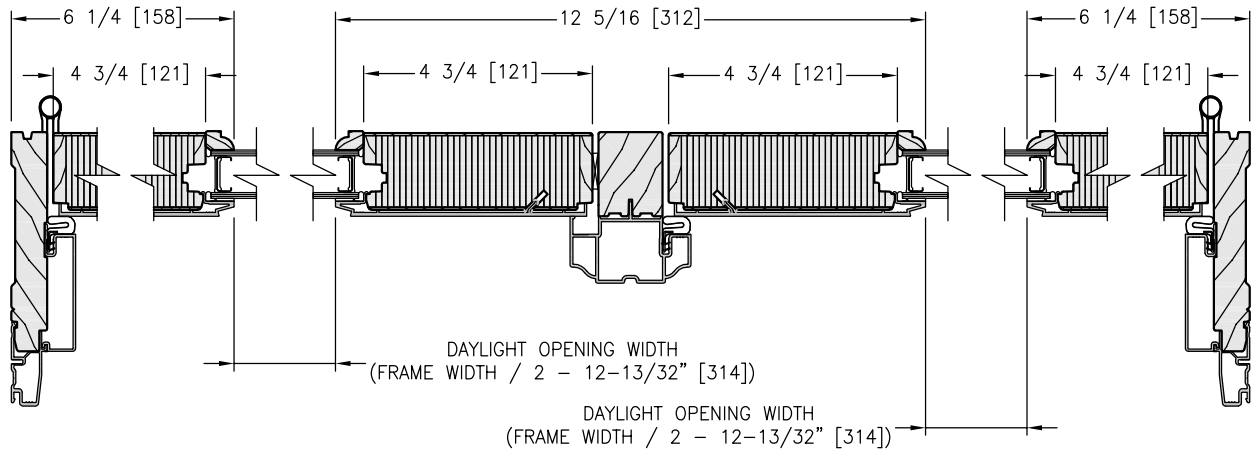


SINGLE DOOR

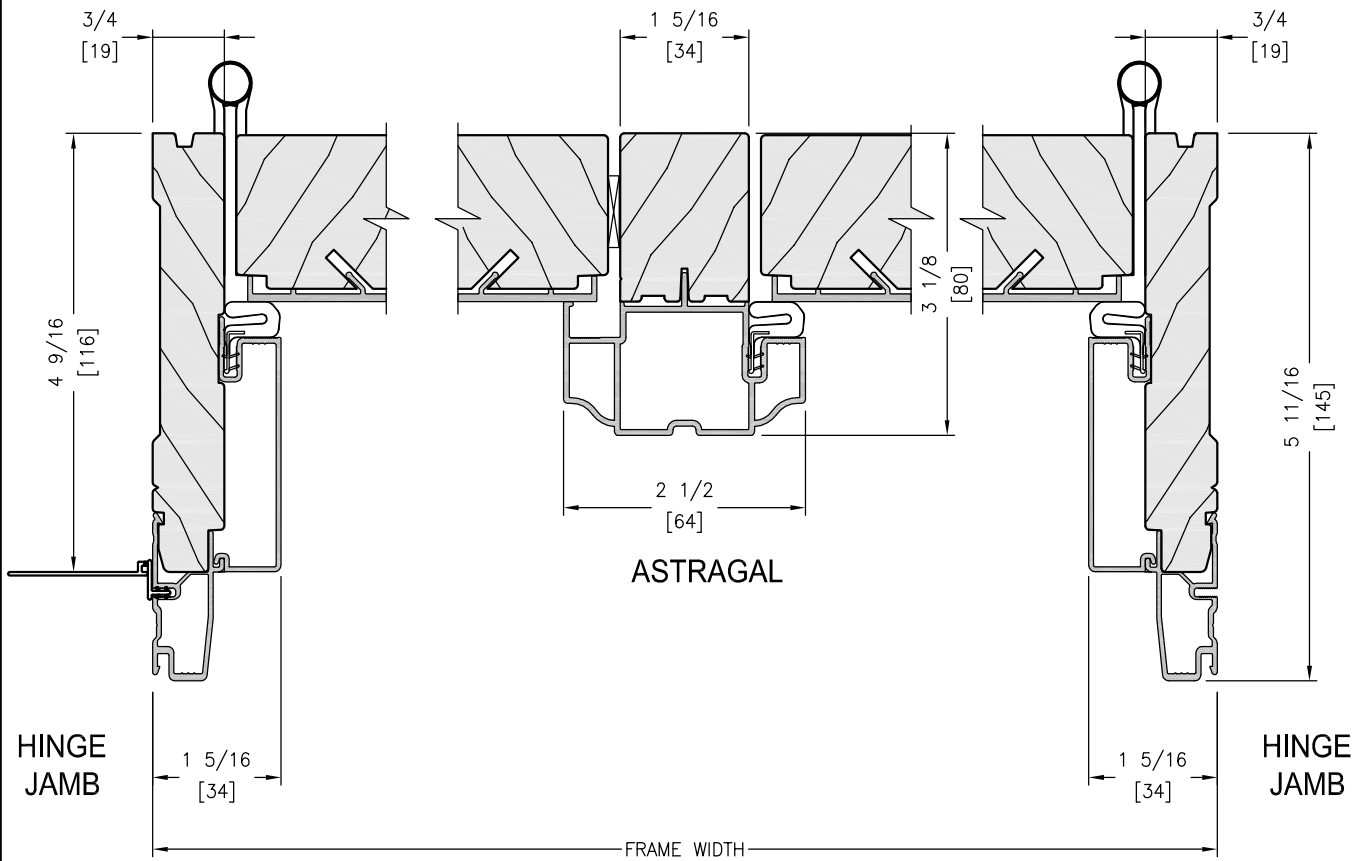
SCALE: 6" = 1'-0"

SCALE: 6" = 1'-0"

INSWING HORIZONTAL SECTIONS CONTINUED



SCALE: 3" = 1'-0"



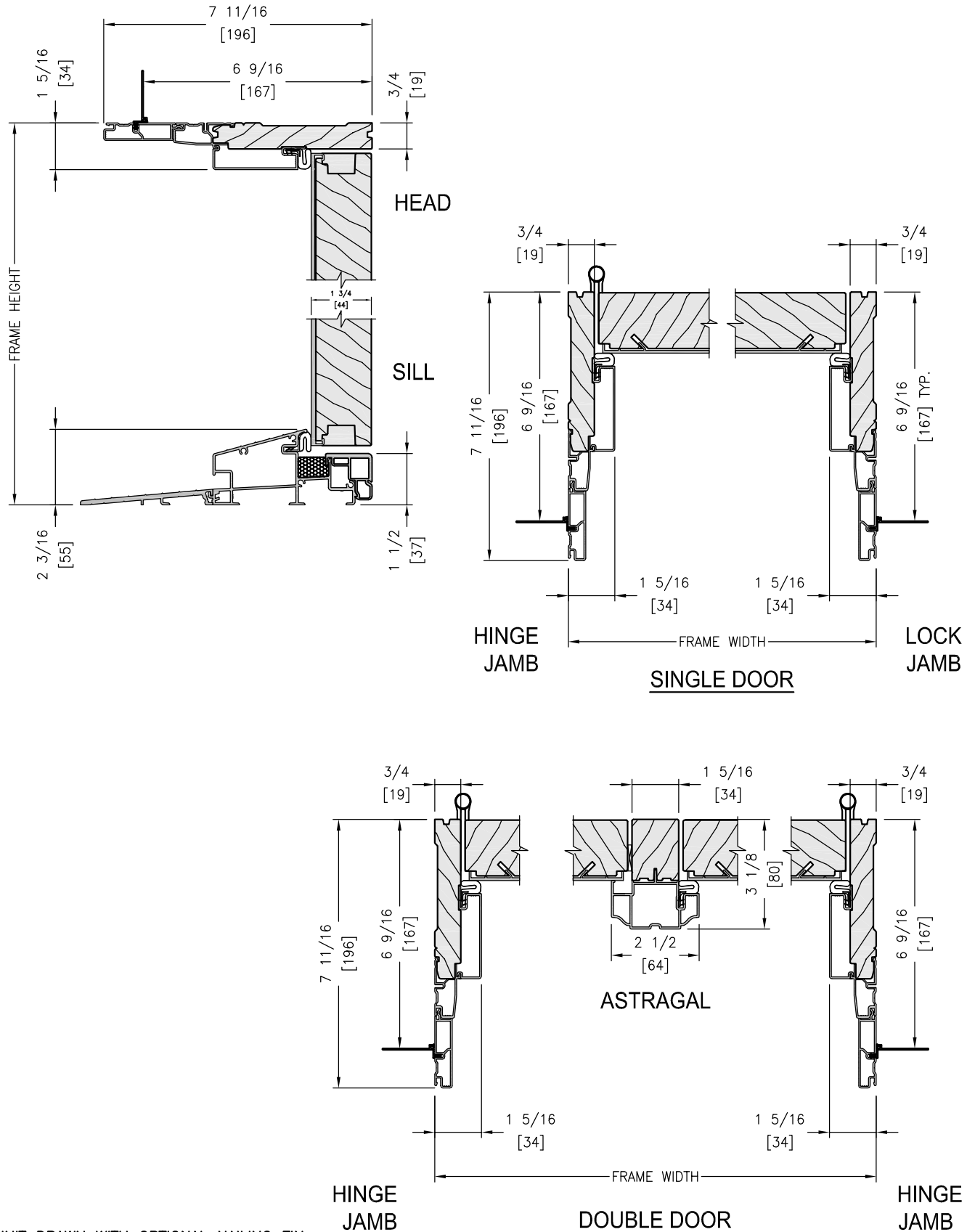
DOUBLE DOOR

SCALE: 6" = 1'-0"

UNITS DRAWN WITH OPTIONAL NAILING FIN

SCALE: 3" = 1'-0"

INSWING VERTICAL AND HORIZONTAL SECTIONS



UNIT DRAWN WITH OPTIONAL NAILING FIN