

SELF CLOSING DOOR HINGE

THESE OPTIONAL HINGES ARE NOT FACTORY ADJUSTED.
THEY MUST BE ADJUSTED AFTER DOOR UNIT HAS BEEN INSTALLED.

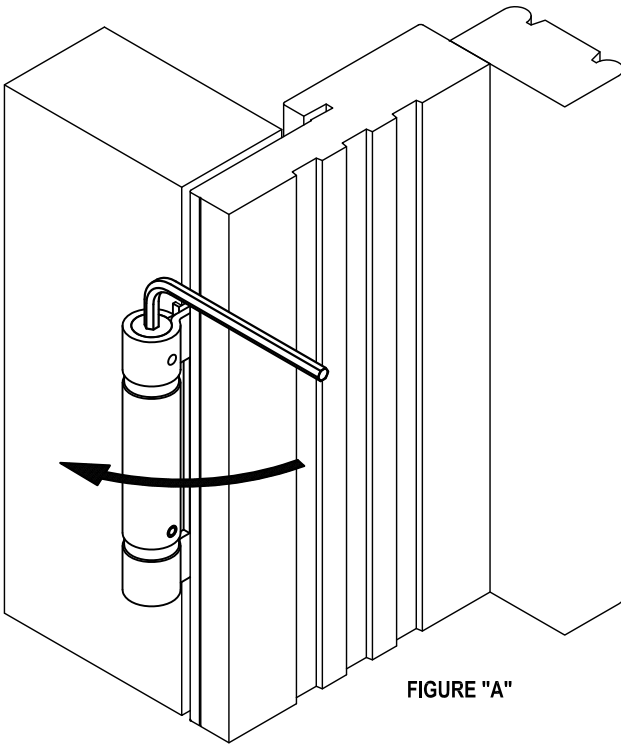


FIGURE "A"

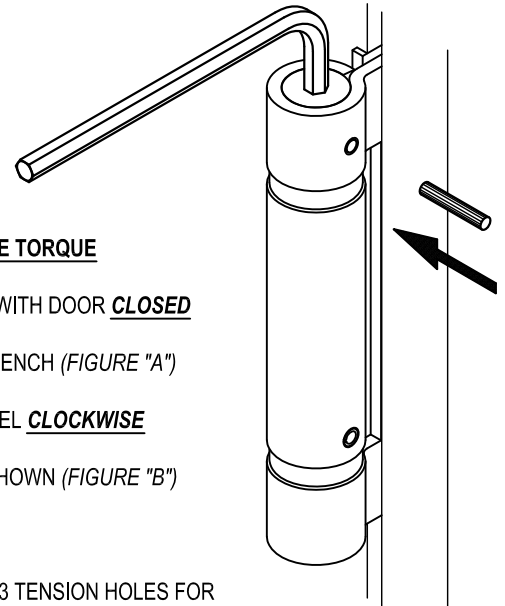


FIGURE "B"

FINAL ADJUSTMENT OF HINGE TORQUE

- (1) ADJUST SPRING TORQUE WITH DOOR **CLOSED**
- (2) INSERT SUPPLIED HEX WRENCH (FIGURE "A")
- (3) ROTATE ADJUSTING BARREL **CLOCKWISE**
- (4) INSERT TENSION PIN AS SHOWN (FIGURE "B")
- (5) REPEAT ON OTHER HINGE

WARNING: DO NOT EXCEED 3 TENSION HOLES FOR A DOOR OPENING 180° or 4 TENSION HOLES FOR A DOOR OPENING 90°.

SELF CLOSING DOOR HINGE

THESE OPTIONAL HINGES ARE NOT FACTORY ADJUSTED.
THEY MUST BE ADJUSTED AFTER DOOR UNIT HAS BEEN INSTALLED.

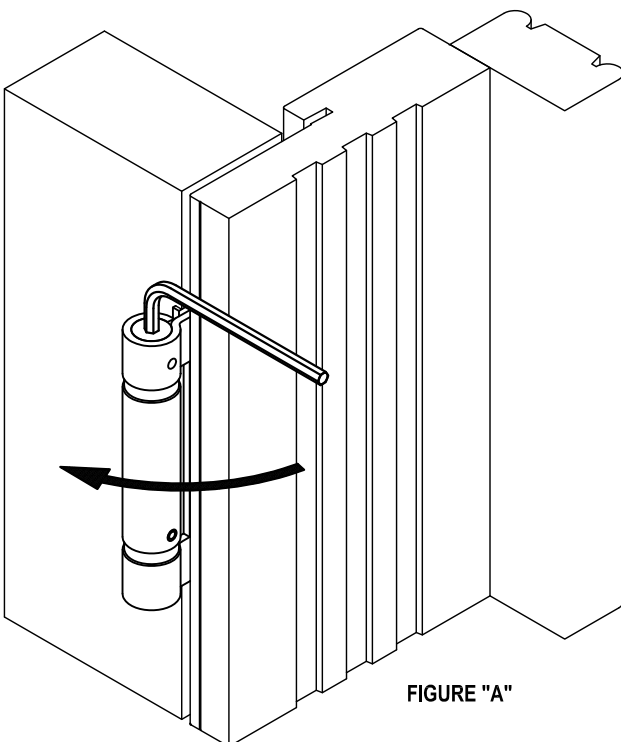


FIGURE "A"

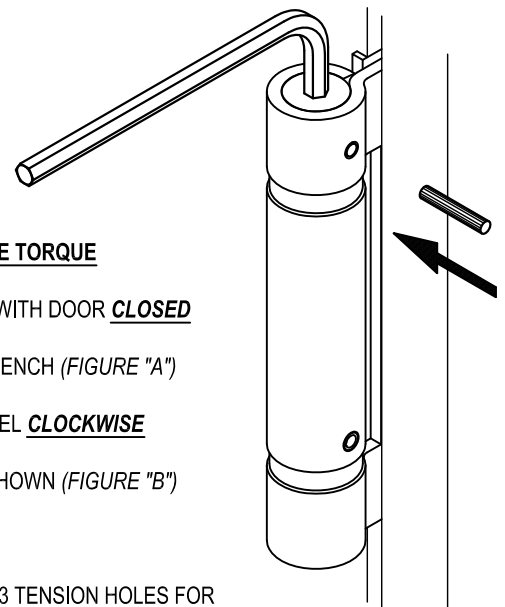


FIGURE "B"

FINAL ADJUSTMENT OF HINGE TORQUE

- (1) ADJUST SPRING TORQUE WITH DOOR **CLOSED**
- (2) INSERT SUPPLIED HEX WRENCH (FIGURE "A")
- (3) ROTATE ADJUSTING BARREL **CLOCKWISE**
- (4) INSERT TENSION PIN AS SHOWN (FIGURE "B")
- (5) REPEAT ON OTHER HINGE

WARNING: DO NOT EXCEED 3 TENSION HOLES FOR A DOOR OPENING 180° or 4 TENSION HOLES FOR A DOOR OPENING 90°.