

## INSTALLATION INSTRUCTIONS

### GOLDENWOOD/GOLDENCLAD 2-PANEL SLIDING DOOR HANDLE

READ THESE INSTRUCTIONS  
CAREFULLY

#### TOOLS REQUIRED



PLIERS

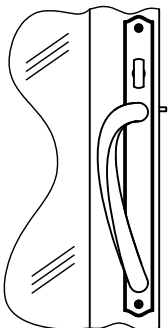


PHILLIPS  
SCREWDRIVER



#2 ROBERTSON  
SCREWDRIVER

#### HANDLE ORIENTATION ON ESCUTCHEON

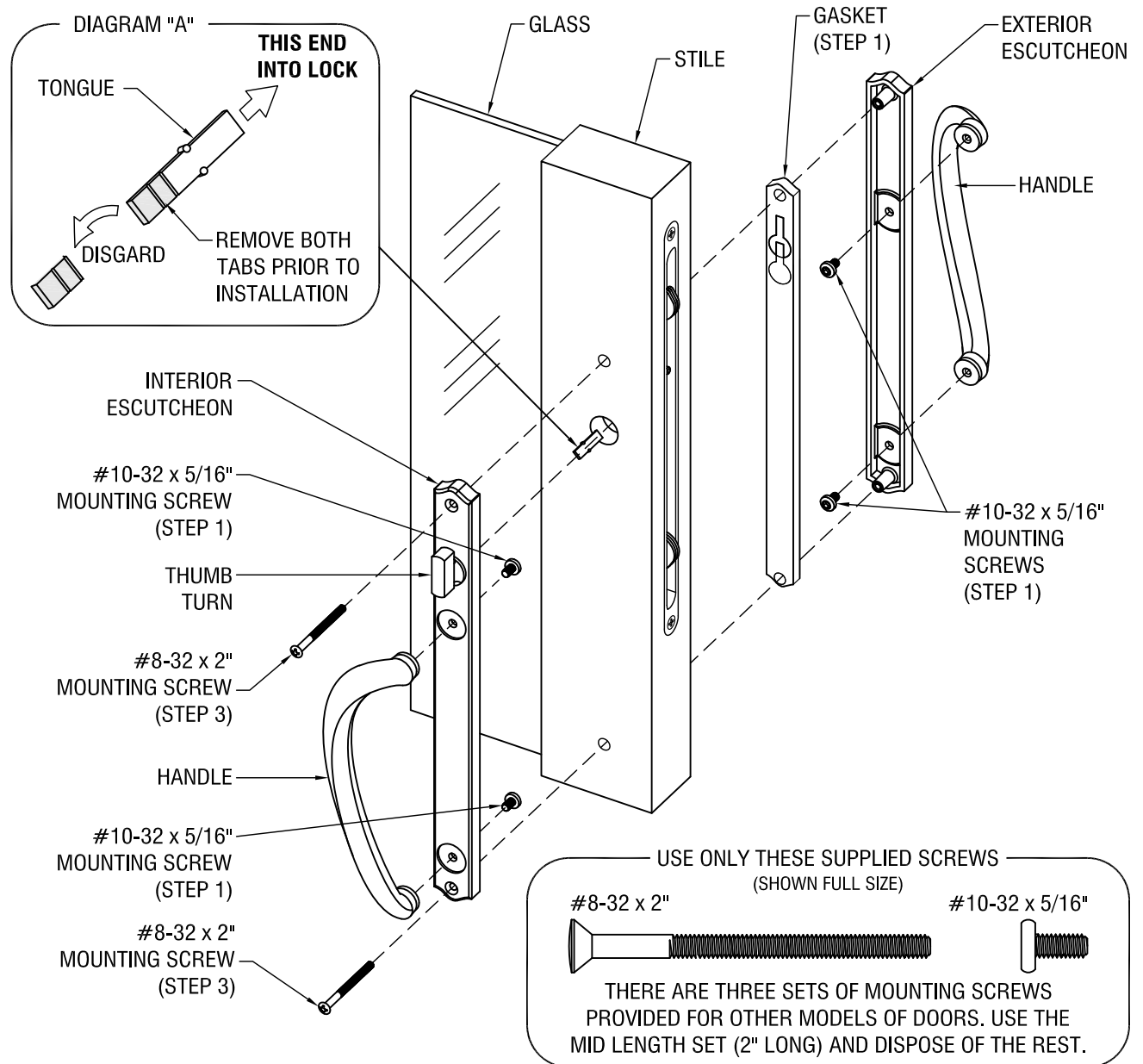


#### HANDLE INSTALLATION:

STEP 1 - FASTEN THE HANDLES TO THE INTERIOR AND EXTERIOR ESCUTCHEONS USING THE SHORT #10-32 x 5/16" MOUNTING SCREWS AS SHOWN. (NOTE: REMOVE THE BLACK FOAM GASKET FROM THE EXTERIOR ESCUTCHEON TO INSTALL THE HANDLE SCREWS. REPLACE THE BLACK FOAM GASKET AFTER THE HANDLE IS ATTACHED TO THE ESCUTCHEON.)

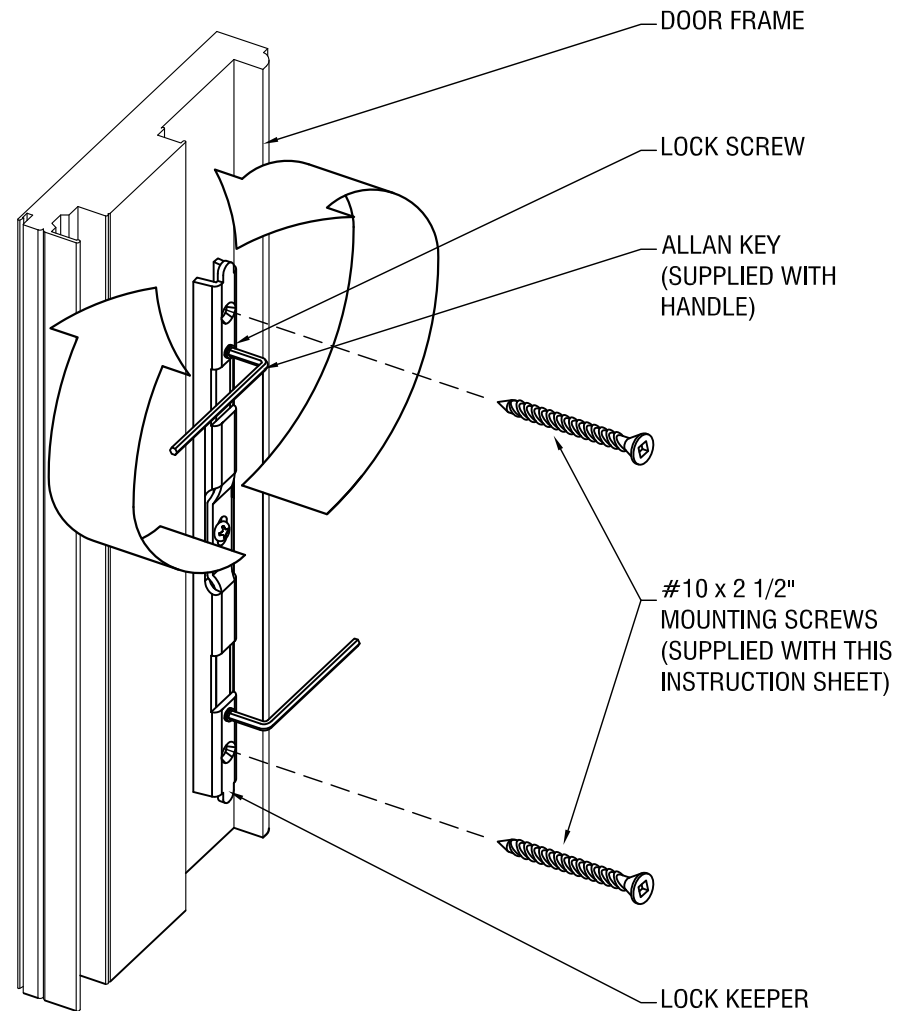
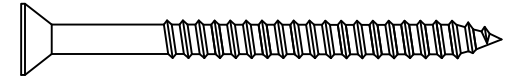
STEP 2 - USING PLIERS, BREAK OFF 2 TABS OF THE TONGUE AND INSERT THE TONGUE INTO THE INTERIOR SIDE OF THE LOCK AS SHOWN. (SEE DIAGRAM "A")

STEP 3 - PLACE THE EXTERIOR AND INTERIOR HANDLE ASSEMBLIES ON THE DOOR WITH HANDGRIP TOWARD THE GLASS. INSTALL USING THE TWO #8-32 x 2" MOUNTING SCREWS.



USE ONLY THESE SUPPLIED SCREWS  
(SHOWN FULL SIZE)

#10 x 2 1/2"



300 BRIDGE STREET EAST  
KITCHENER, ONTARIO  
N2K 2Y5

1-800-265-2290

SK1408 / 01-27-2015

KEEPER NOTES:

1. AFTER YOUR DOOR IS INSTALLED, ADJUST THE LOCK KEEPER UP OR DOWN TO ALLOW THE SLIDING DOOR PANEL TO NEST COMPLETELY OVER IT.
2. AFTER IT IS IN THE FINAL POSITION, FASTEN THE LOCK KEEPER THROUGH THE JAMB INTO THE STUD WALL WITH THE #10 x 2 1/2" SCREWS PROVIDED WITH THIS INSTRUCTION SHEET.
3. USE THE ALLAN KEY SUPPLIED WITH THE DOOR HANDLE KIT TO TURN THE UPPER AND LOWER LOCK SCREW TO TIGHTEN OR LOOSEN THE EASE OF LOCK ENGAGEMENT.