

INSTALLATION INSTRUCTIONS

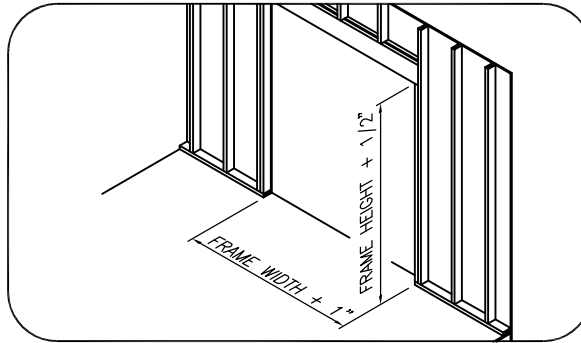
GOLDENWOOD/GOLDENCLAD SLIDING PATIO DOOR

STEP - 1

READ THESE
INSTRUCTIONS
CAREFULLY

STEP - 2

Prepare rough stud opening 1" [25mm] wider and at least 1/2" [12mm] higher than the frame size of the patio door.

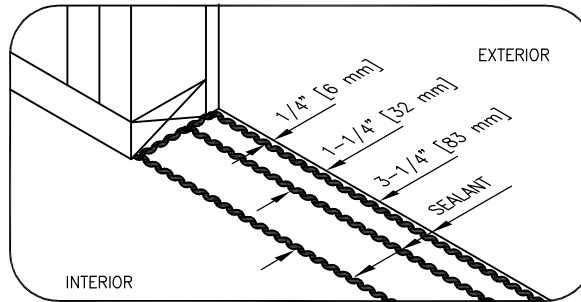


STEP - 3

Remove all shipping braces and packaging and inspect unit for any damage that may have occurred in transit.

STEP - 4

Apply 3 beads of adhesive sealant on the subfloor between the rough opening as illustrated below.

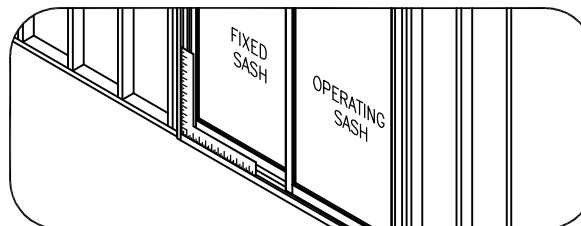


STEP - 5

Centre door into opening with inside of frame flush with interior wall covering and level sill, shimming where necessary.

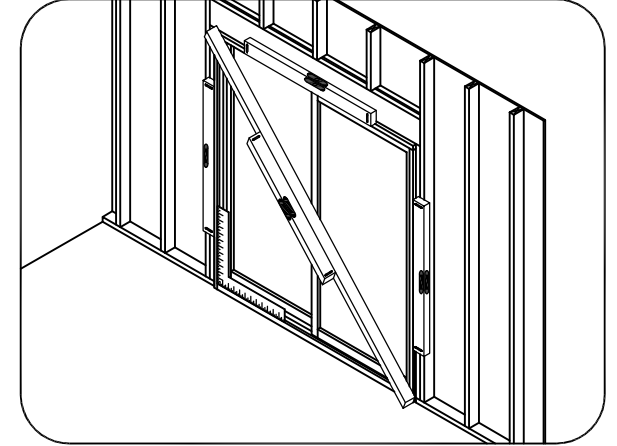
STEP - 6

Square fixed side jamb at sill as shown below.



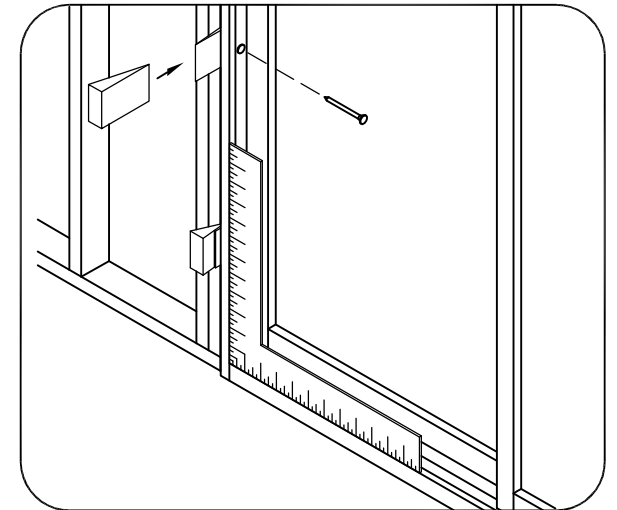
STEP - 7

Using a 4' [1200mm] level or longer, plumb fixed side jamb as illustrated below.



STEP - 8

Shim between the stud and the fixed side jamb in at least 3 locations. Secure the fixed jamb in place with 3" [75mm] long finishing nails or with trim head screws through the jamb and shims into the stud. For doors supplied with optional nailing fin, drive 2" [50mm] galvanized roofing nails into the pre-punched holes. Ensure that the fin corners are lying as flat as possible before nailing.



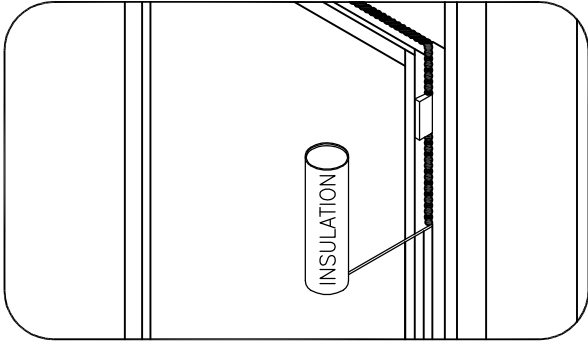
STEP - 9

Repeat steps 6 to 8 on operating side jamb ensuring unit is plumb diagonally.

STEP - 10

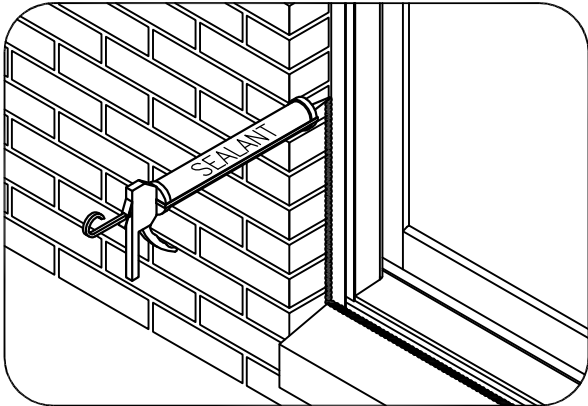
Loosely fill cavity between door frame and wall with fiber glass or low expanding foam type insulation.

NOTE: Do not overfill with foam type insulation as expanding foam may bow frame members



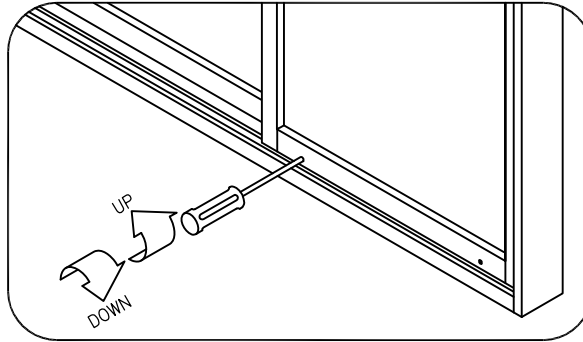
STEP - 11

Seal exterior between door frame and opening all around the door.



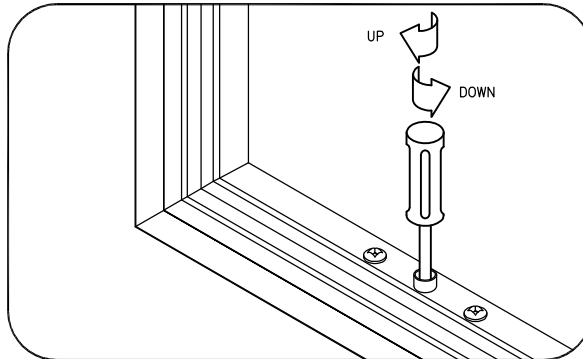
STEP - 12

To adjust the operating sash, first remove the 2 vinyl plugs on the interior of the bottom rail. Insert a Flat screwdriver, turning clockwise to lower the sash rollers or counter-clockwise to raise sash rollers. Adjust the sash rollers so that the operating sash closes square to the side jamb. Re-install the vinyl plugs.



STEP - 13

To adjust the sliding screen, insert a Phillips (star or cross) screwdriver into the roller adjustment cup located on the exterior of the screen's top and bottom rails. Turn the screwdriver clockwise to raise the screen or counter-clockwise to lower the screen. Adjust the rollers so that the screen closes square to the side jamb.



STEP - 14

Install the operating sash handle hardware and lock keeper as per the instructions supplied with the handle hardware.

STEP - 15

Finish inside of unit with suitable trim members

SASH REMOVAL

To remove the operating sash, follow the steps below.

Step 1

Remove the Sash Bumper Stop located behind the Fixed Sash on the Head Track.

Step 2

Slide the Operating Sash open as far as you can and remove all of the screws in the Head Track. Slide the Operating Sash closed and remove the remaining screws in the Head Track.

Step 3

Slide the Operating Sash open about 3" [75 mm].

Step 4

Tilt the Operating Sash towards the interior of the room.

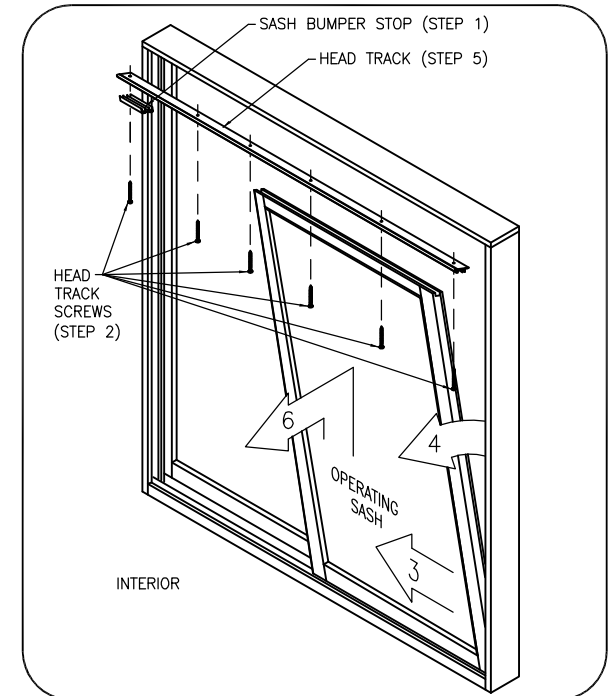
Step 5

Lift off the Head Track.

Step 6

Lift the Operating Sash up and off of the track at the bottom of the door frame and pull the Operating Sash out of the frame. Gently set the Operating Sash on its side - DO NOT stand the Operating Sash straight up as it will damage the underside weatherseal.

To re-install the sash, repeat steps 1 to 6 in reverse order ensuring that the head weatherseal does not get pinched when the Head Track is pushed up to it.



888 GUELPH STREET
KITCHENER, ONTARIO
N2H 5Z6

1-800-265-2290

SK1407
10-04-2007