



GOLDENVINYL 3000 SERIES  
 AWNING WINDOWS  
 STANDARD ELEVATIONS

NO GRILLE  
 ELEVATIONS

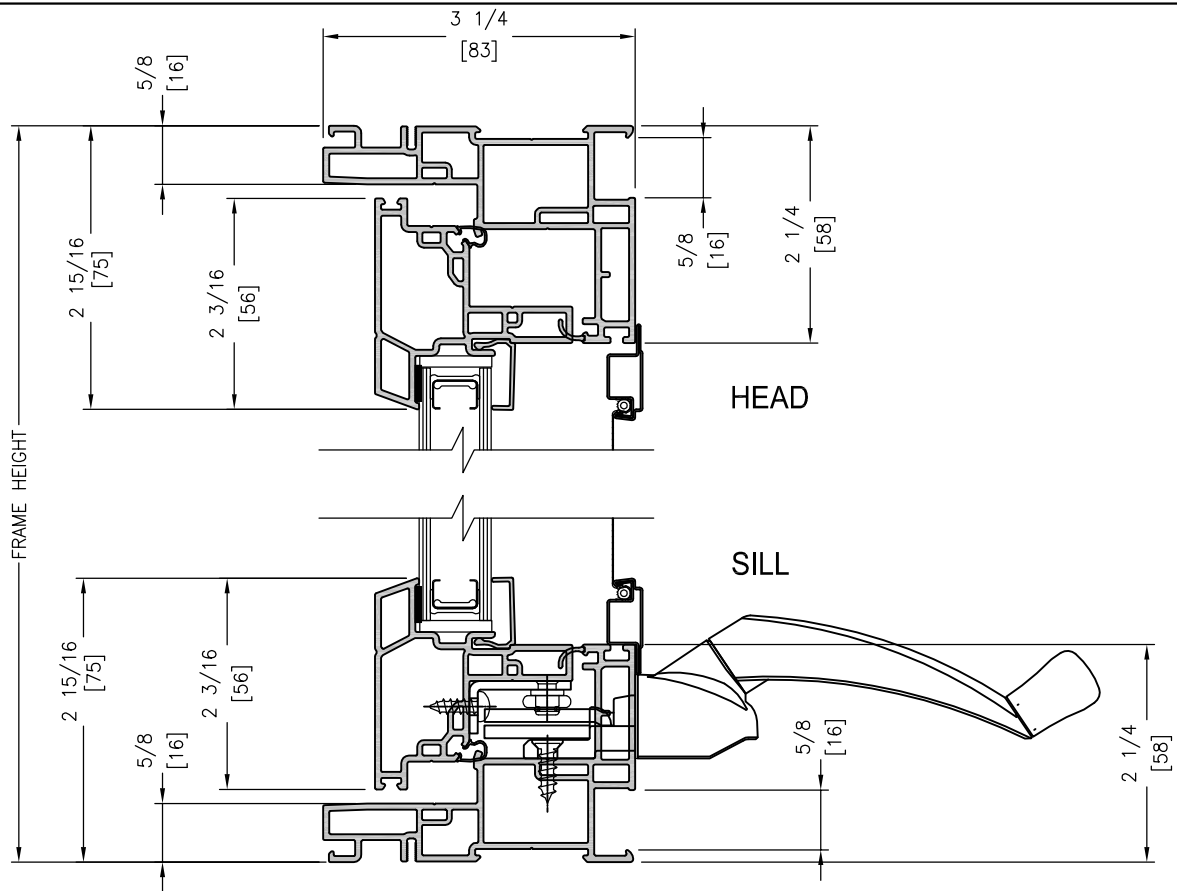
Opening	20 11/16"	24 5/8"	28 9/16"	32 1/2"	36 7/16"	40 3/8"	48 1/4"	56 1/8"
Frame	19 11/16"	23 5/8"	27 9/16"	31 1/2"	35 7/16"	39 3/8"	47 1/4"	55 1/8"
Glass	14 5/8"	18 9/16"	22 1/2"	26 7/16"	30 3/8"	34 5/16"	42 3/16"	50 1/16"
Operating or Fixed Units	PA0505	PA0605	PA0705	PA0805	PA0905	PA1005	PA1205	PA1405
	PA0506	PA0606	PA0706	PA0806	PA0906	PA1006	PA1206	PA1406
	PA0507	PA0607	PA0707	PA0807	PA0907	PA1007	PA1207	PA1407
	PA0508	PA0608	PA0708	PA0808	PA0908	PA1008	PA1208	PA1408
	PA0509	PA0609	PA0709	PA0809	PA0909	PA1009	PA1209	PA1409
	PA0510	PA0610	PA0710	PA0810	PA0910	PA1010	PA1210	PA1410
	PA0512	PA0612	PA0712	PA0812	PA0912	PA1012	PA1212	

Note: Any Awning window with a width greater than 1200mm (47-1/4") can not have any other window mulled on top of it.

Note: Any Awning window with a height greater than 800mm (31-1/2") may experience chatter upon closing the sash due to 22" hinge limitations.

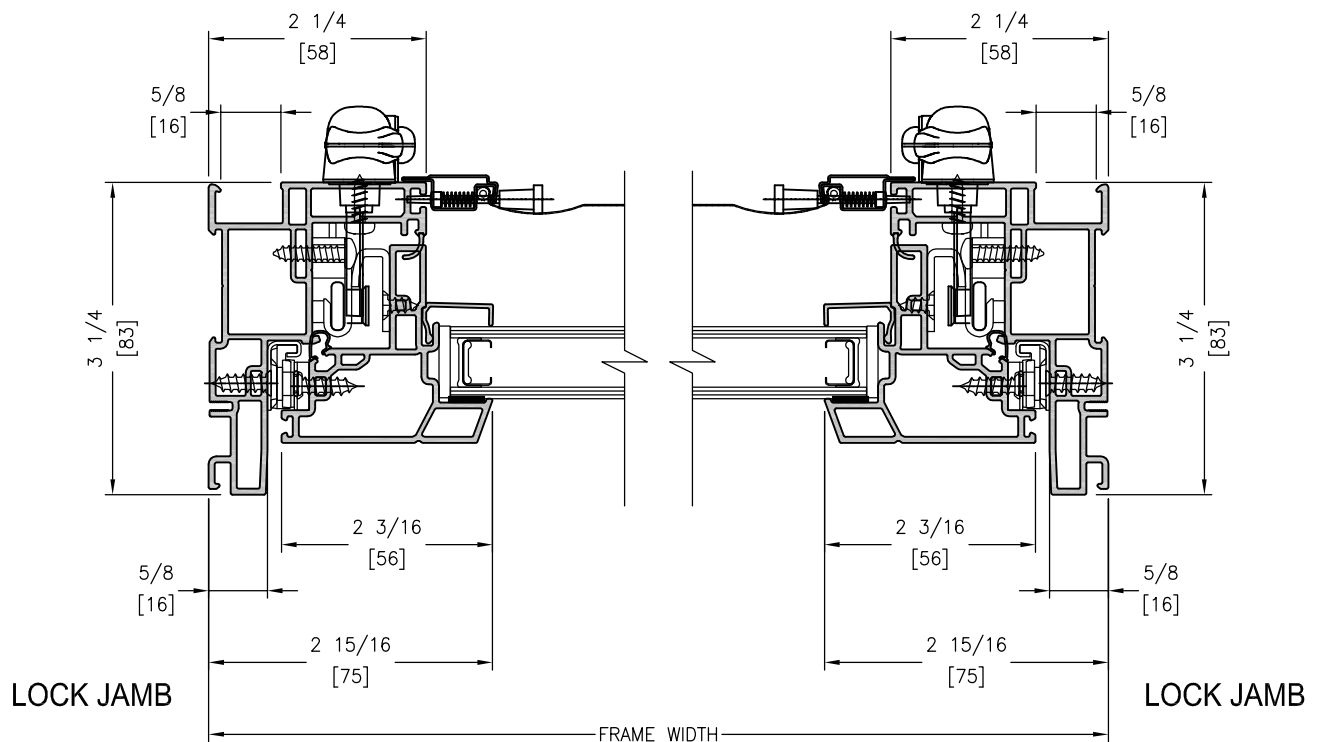
SCALE: 6" = 1'-0"

VERTICAL SECTION



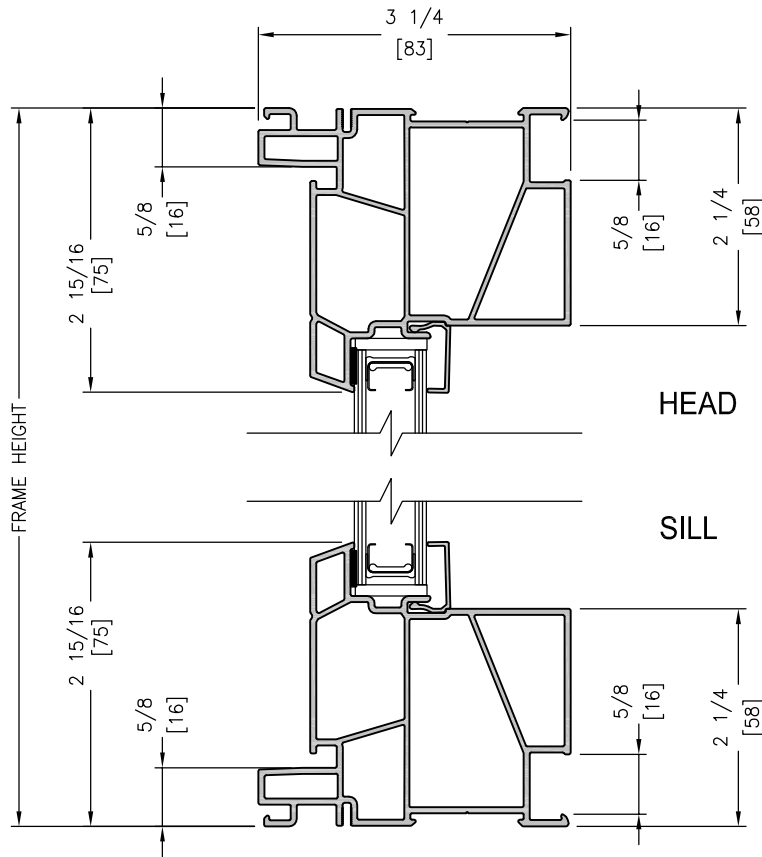
SCALE: 6" = 1'-0"

HORIZONTAL SECTION



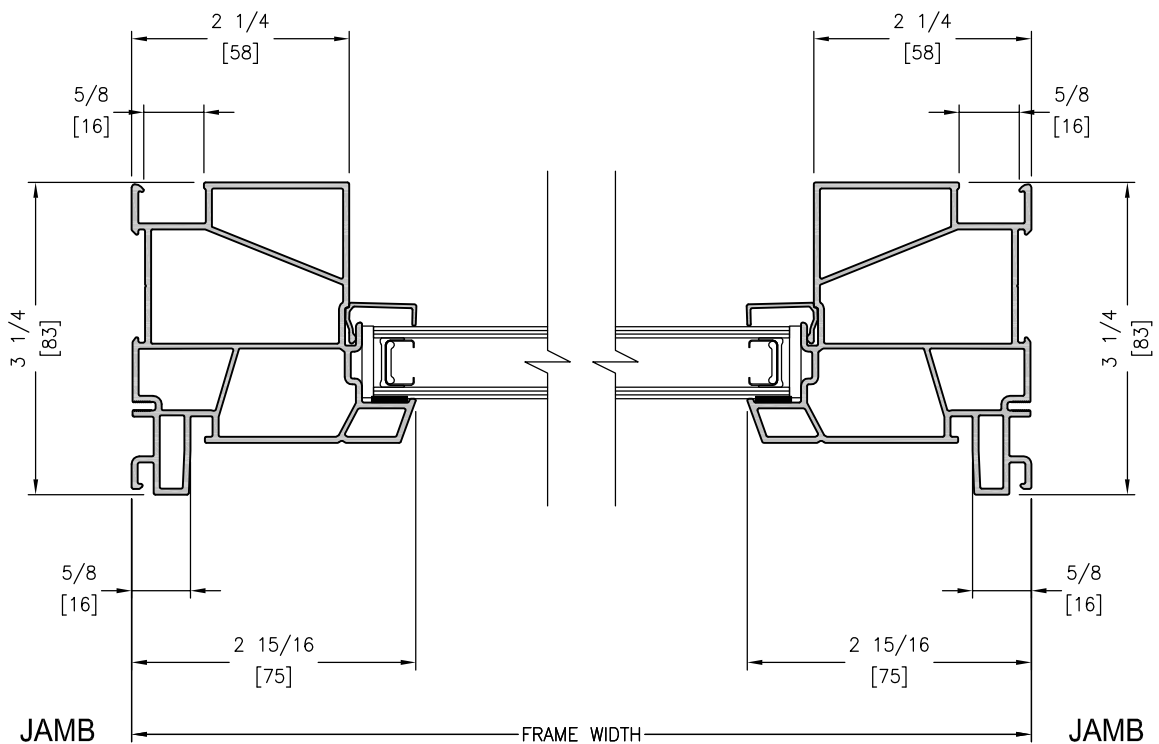
SCALE: 6" = 1'-0"

VERTICAL SECTION



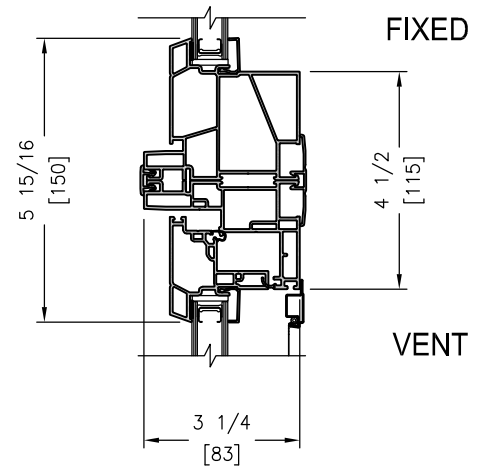
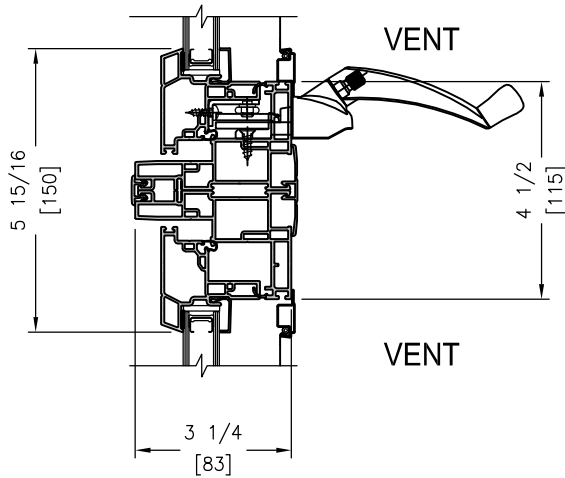
SCALE: 6" = 1'-0"

HORIZONTAL SECTION



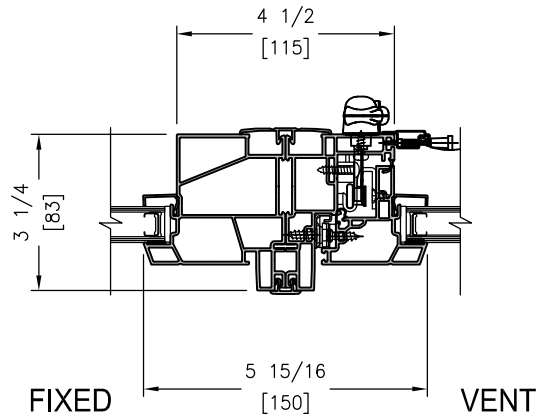
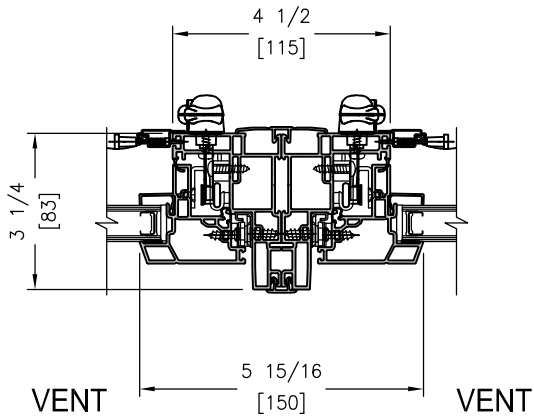
SCALE: 3" = 1'-0"

VERTICAL JOINING MULLIONS



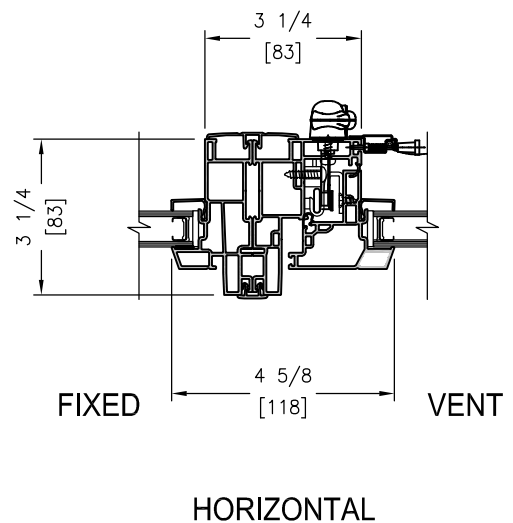
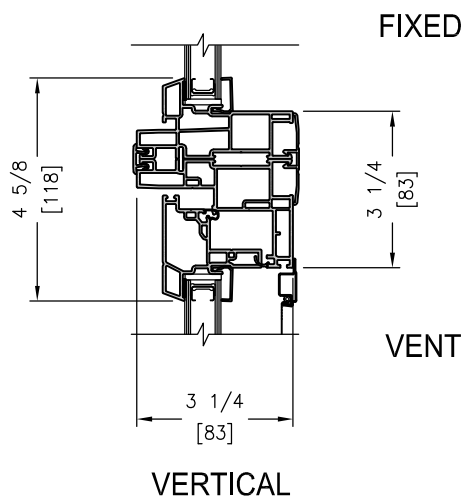
SCALE: 3" = 1'-0"

HORIZONTAL JOINING MULLIONS

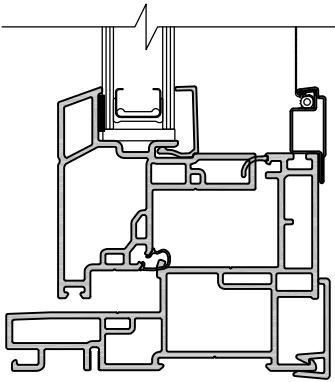


SCALE: 3" = 1'-0"

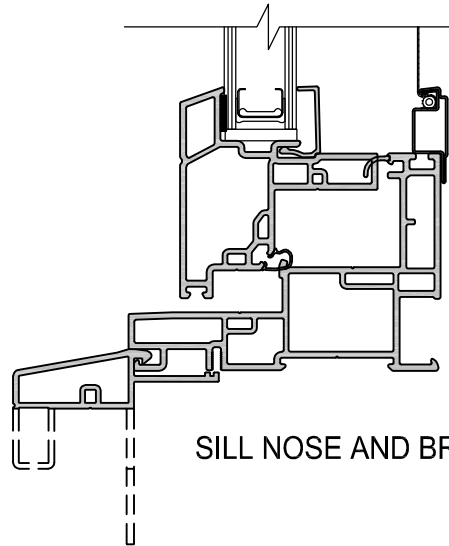
DIRECT SET TO AWNING



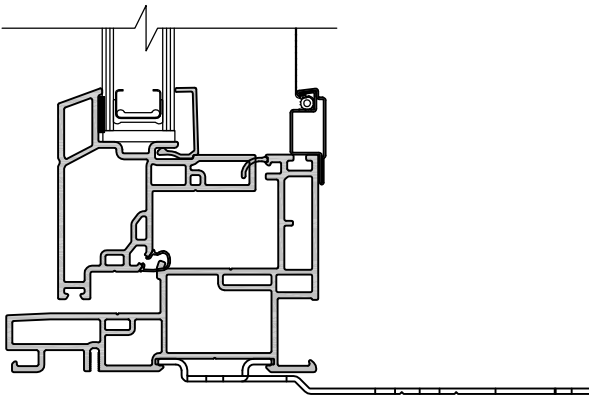
SCALE: 6" = 1'-0"



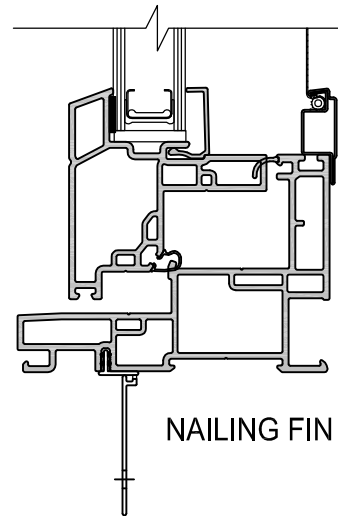
INTERIOR SLOT COVER



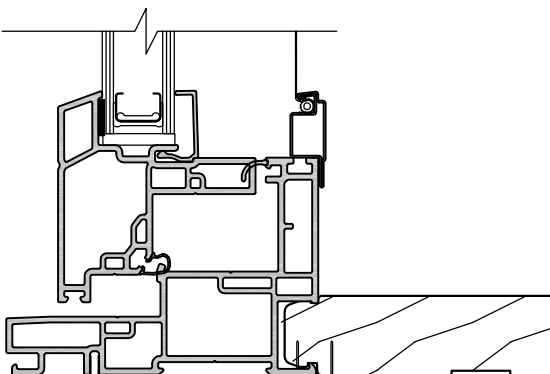
SILL NOSE AND BRICKMOULDS



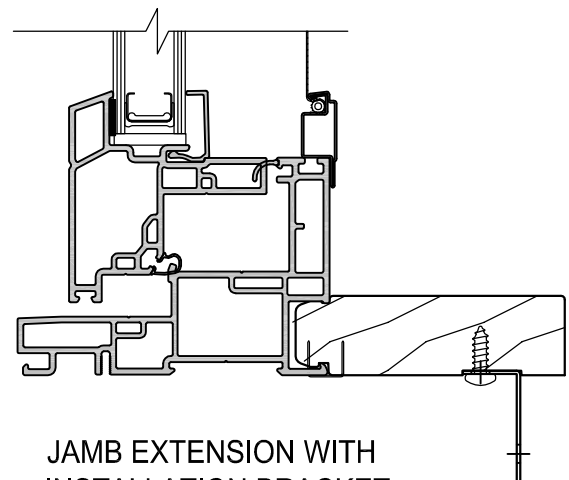
MASONRY CLIP



NAILING FIN



JAMB EXTENSIONS



JAMB EXTENSION WITH  
INSTALLATION BRACKET