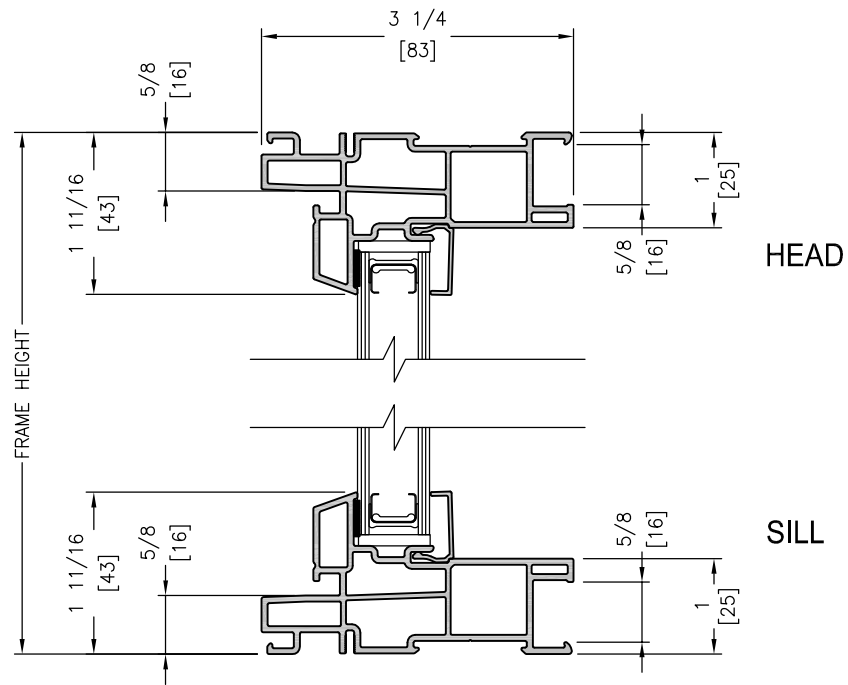


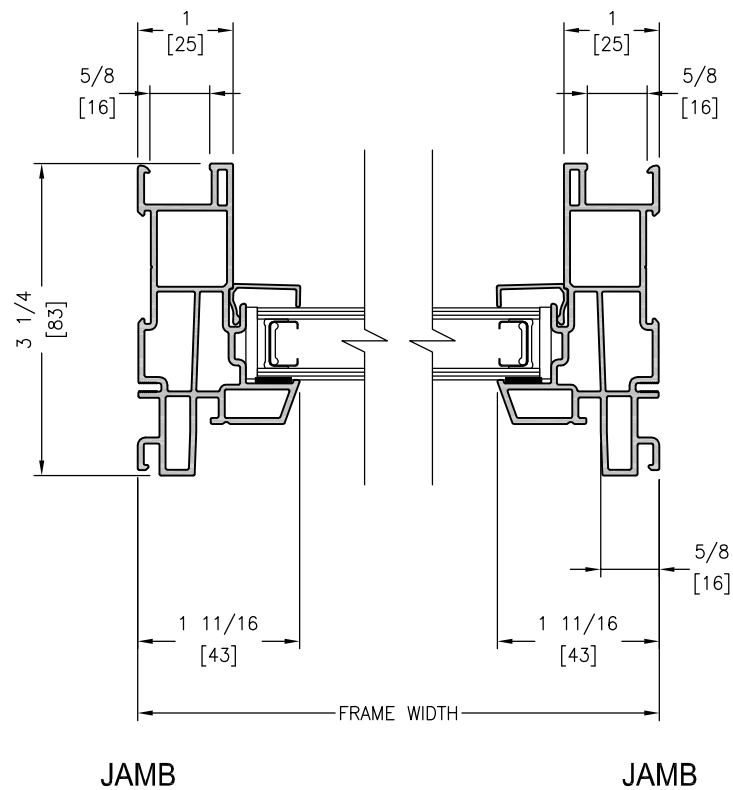
SCALE: 6" = 1'-0"

VERTICAL SECTION

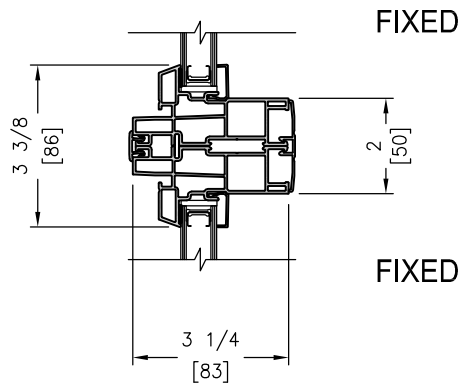


SCALE: 6" = 1'-0"

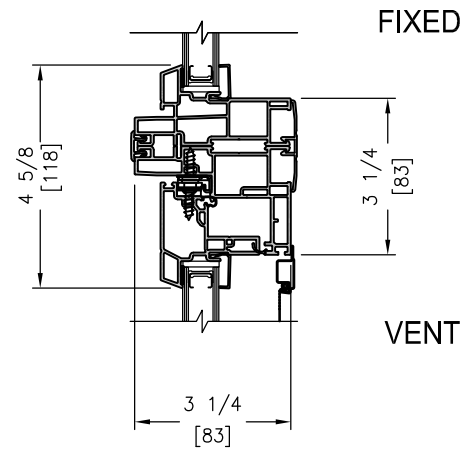
HORIZONTAL SECTION



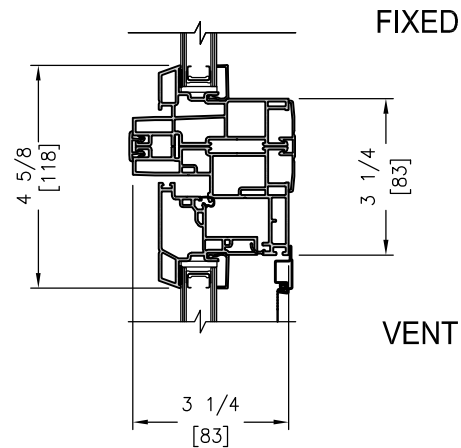
DIRECT SET OVER DIRECT SET



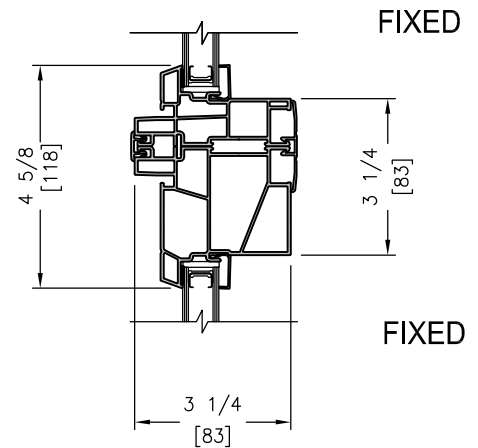
DIRECT SET OVER CASEMENT



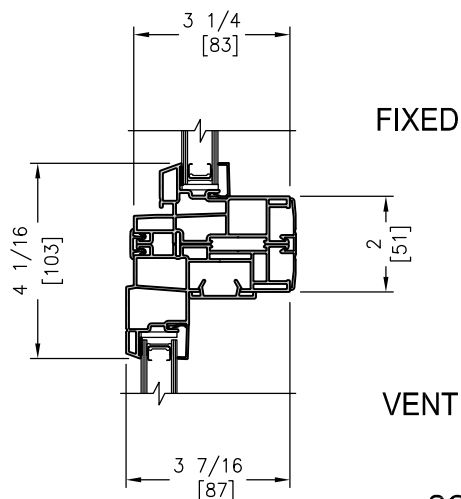
DIRECT SET OVER AWNING



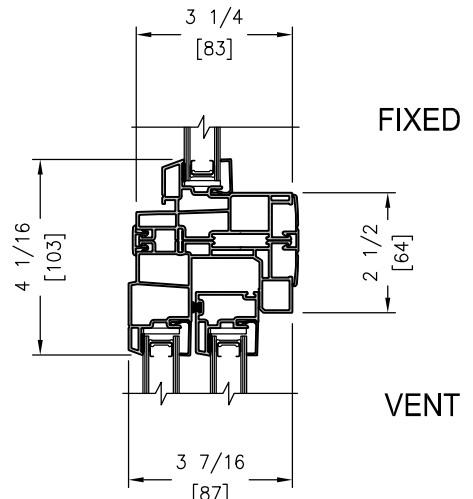
DIRECT SET OVER FIXED CASEMENT



DIRECT SET OVER SINGLE HUNG

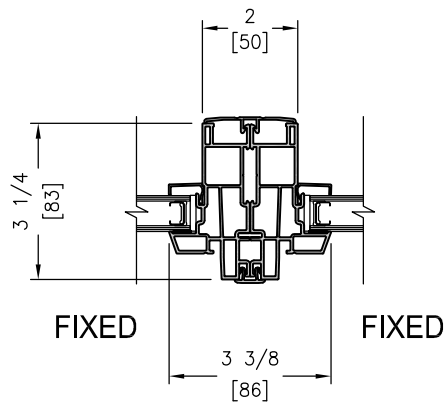


DIRECT SET OVER SINGLE SLIDER

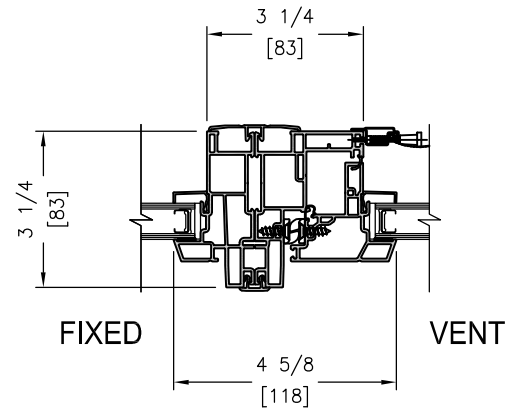


SCALE: 3" = 1'-0"

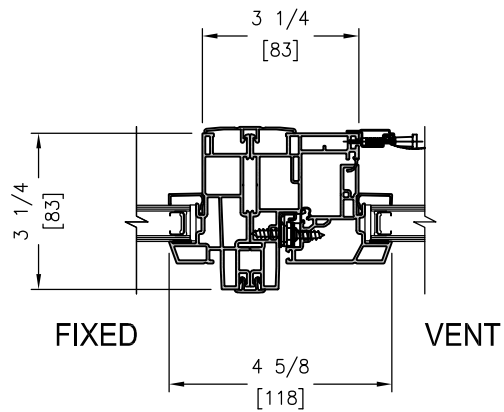
DIRECT SET TO DIRECT SET



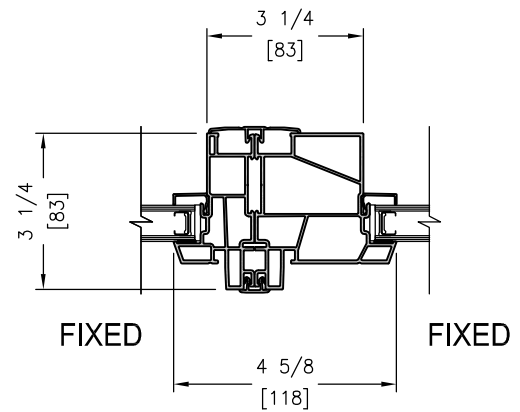
DIRECT SET TO CASEMENT



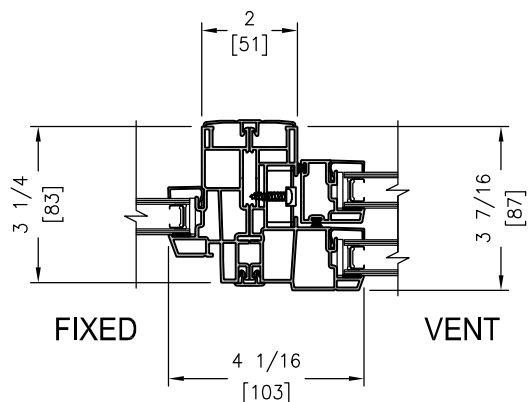
DIRECT SET TO AWNING



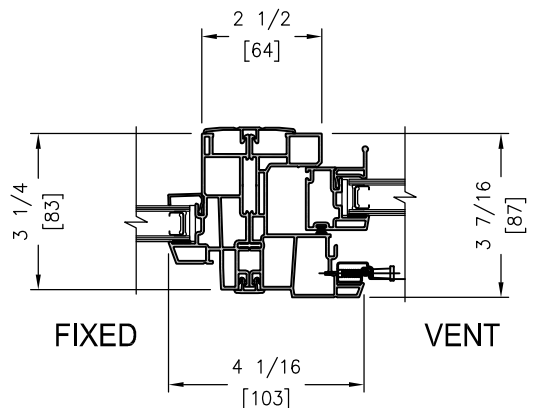
DIRECT SET TO FIXED CASEMENT



DIRECT SET TO SINGLE HUNG

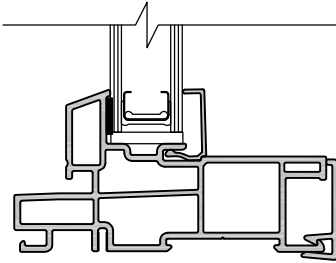


DIRECT SET TO SINGLE SLIDER

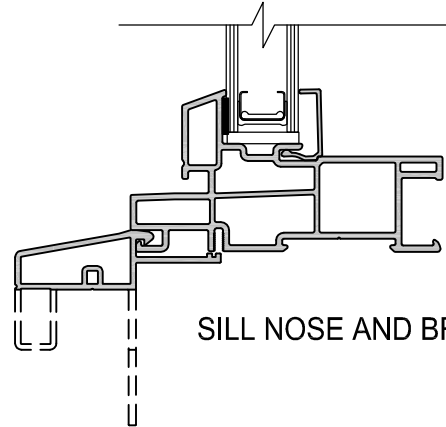


SCALE: 3" = 1'-0"

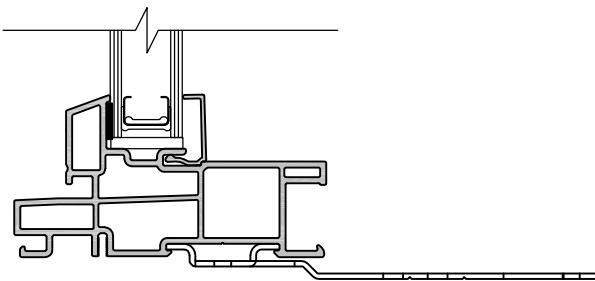
SCALE: 6" = 1'-0"



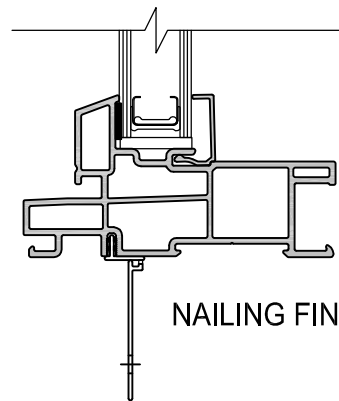
INTERIOR SLOT COVER



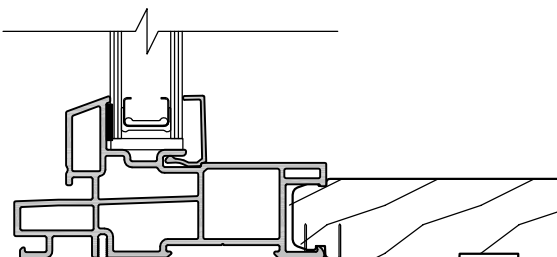
SILL NOSE AND BRICKMOULDS



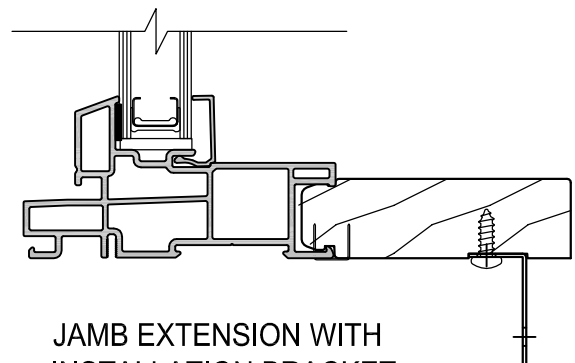
MASONRY CLIP



NAILING FIN



JAMB EXTENSIONS



JAMB EXTENSION WITH
INSTALLATION BRACKET