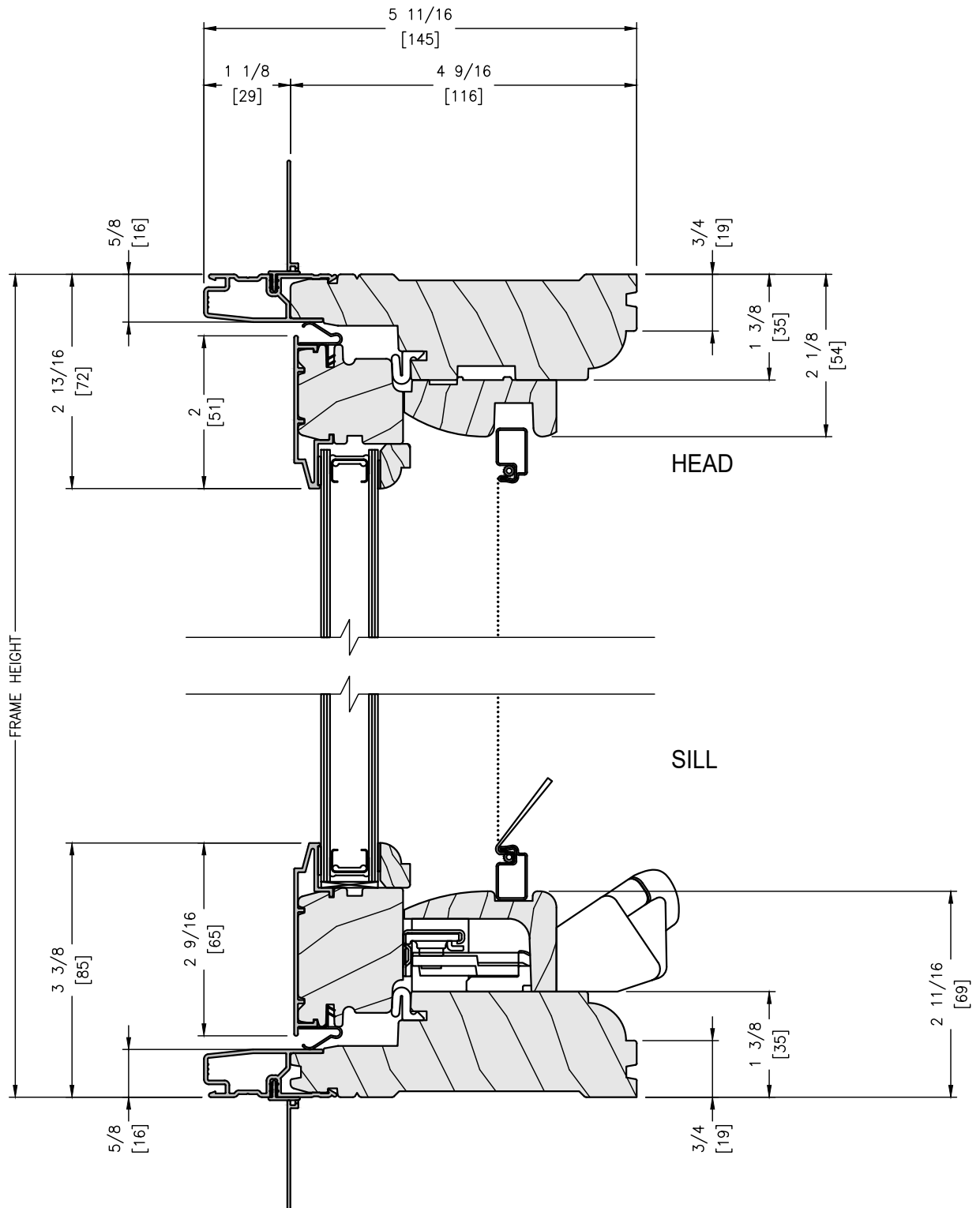


SCALE: 6" = 1'-0"

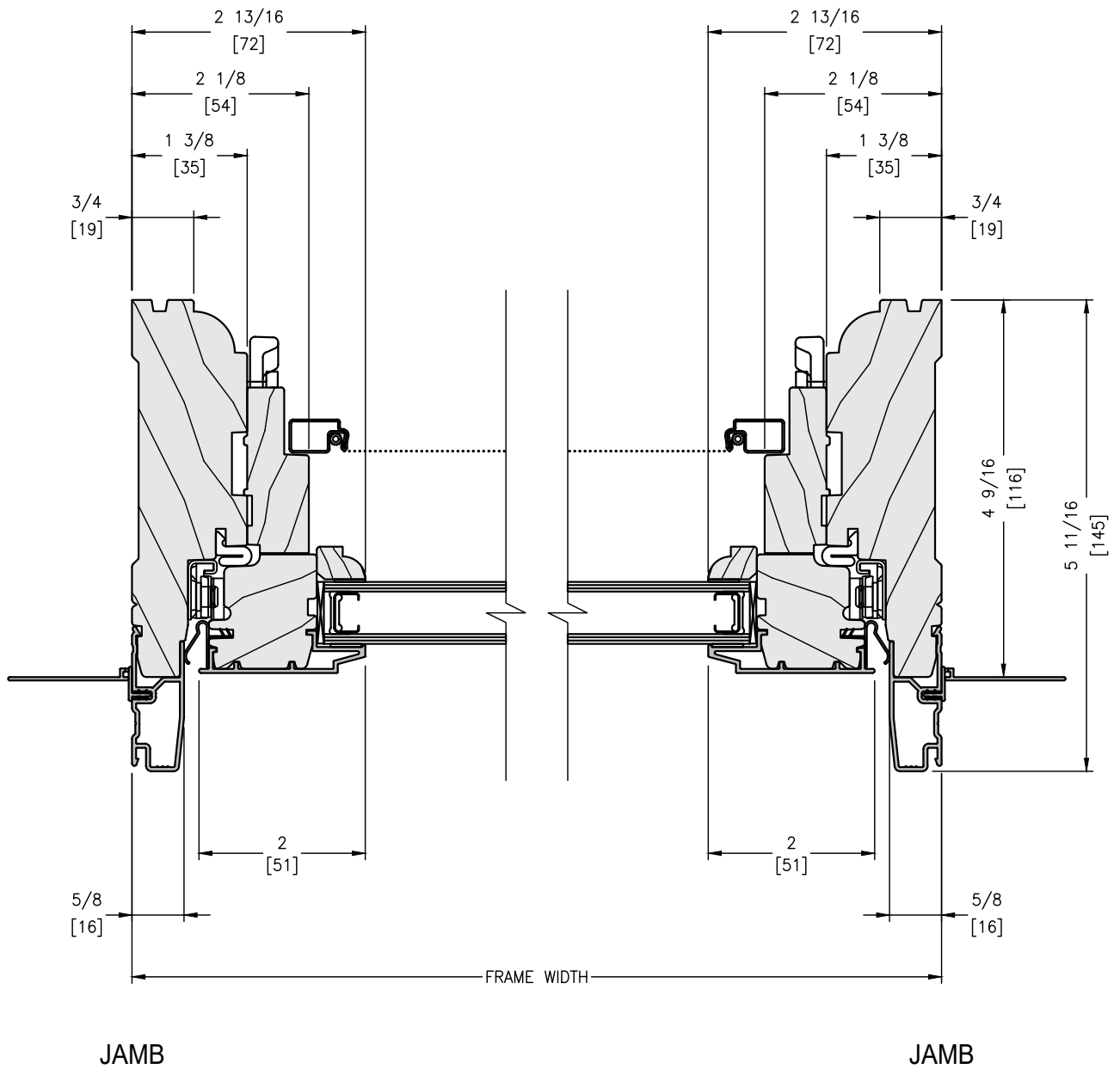
VERTICAL SECTION



UNIT DRAWN WITH OPTIONAL NAILING FIN

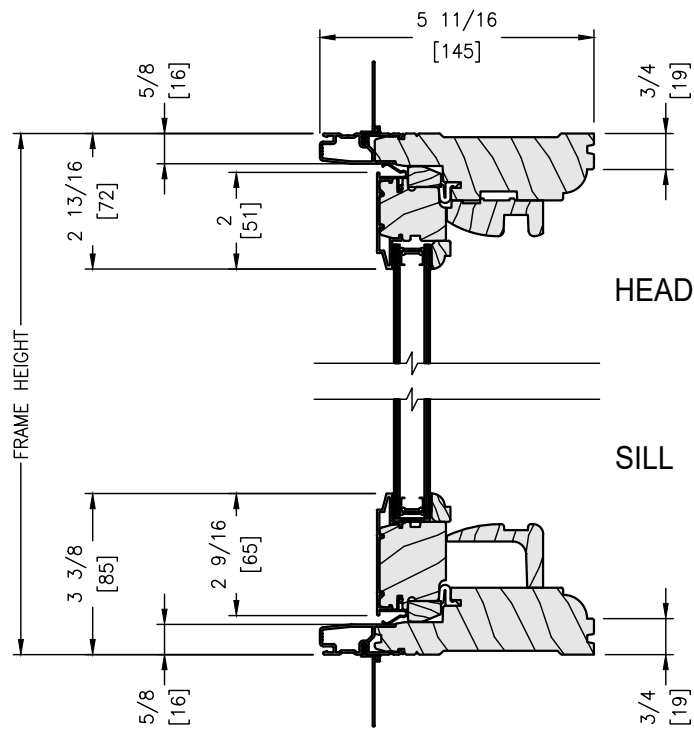
SCALE: 6" = 1'-0"

HORIZONTAL SECTION



SCALE: 3" = 1'-0"

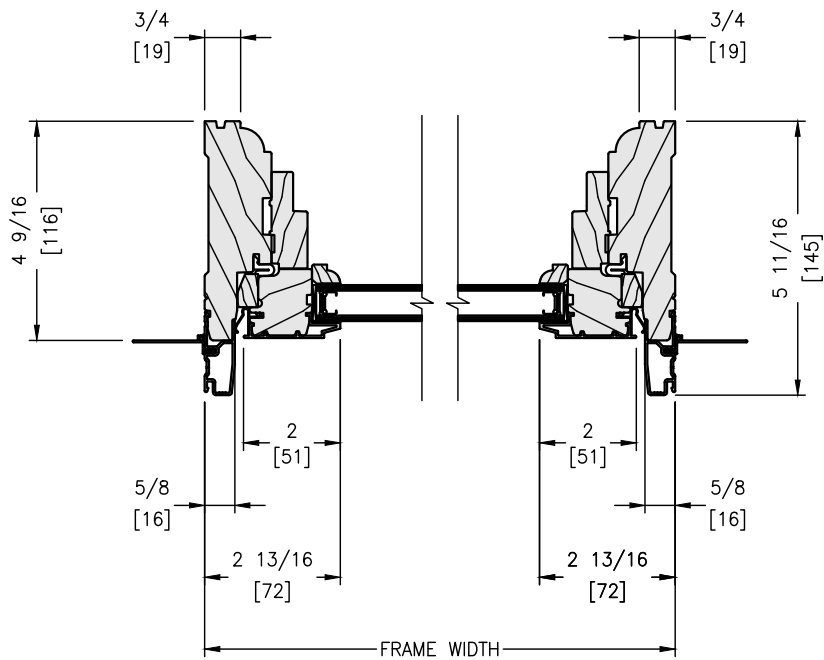
AWNING WINDOW / TRANSOM WINDOW



HEAD

SILL

VERTICAL SECTION



JAMB

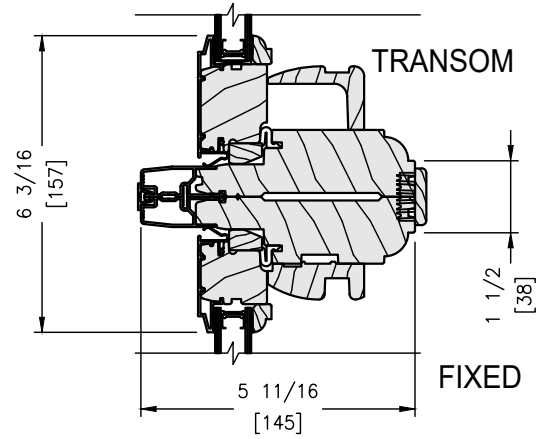
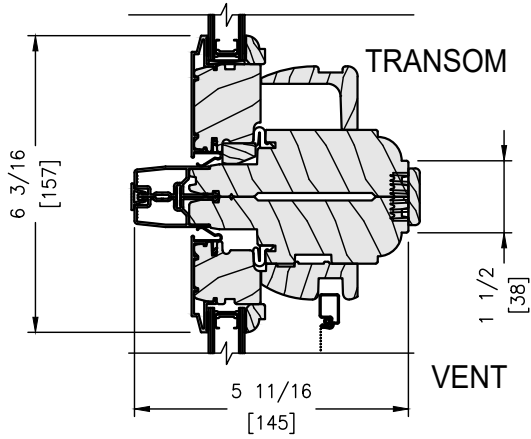
JAMB

HORIZONTAL SECTION

UNIT DRAWN WITH OPTIONAL NAILING FIN

SCALE: 3" = 1'-0"

VERTICAL JOINING MULLIONS



SCALE: 3" = 1'-0"

HORIZONTAL JOINING MULLIONS

