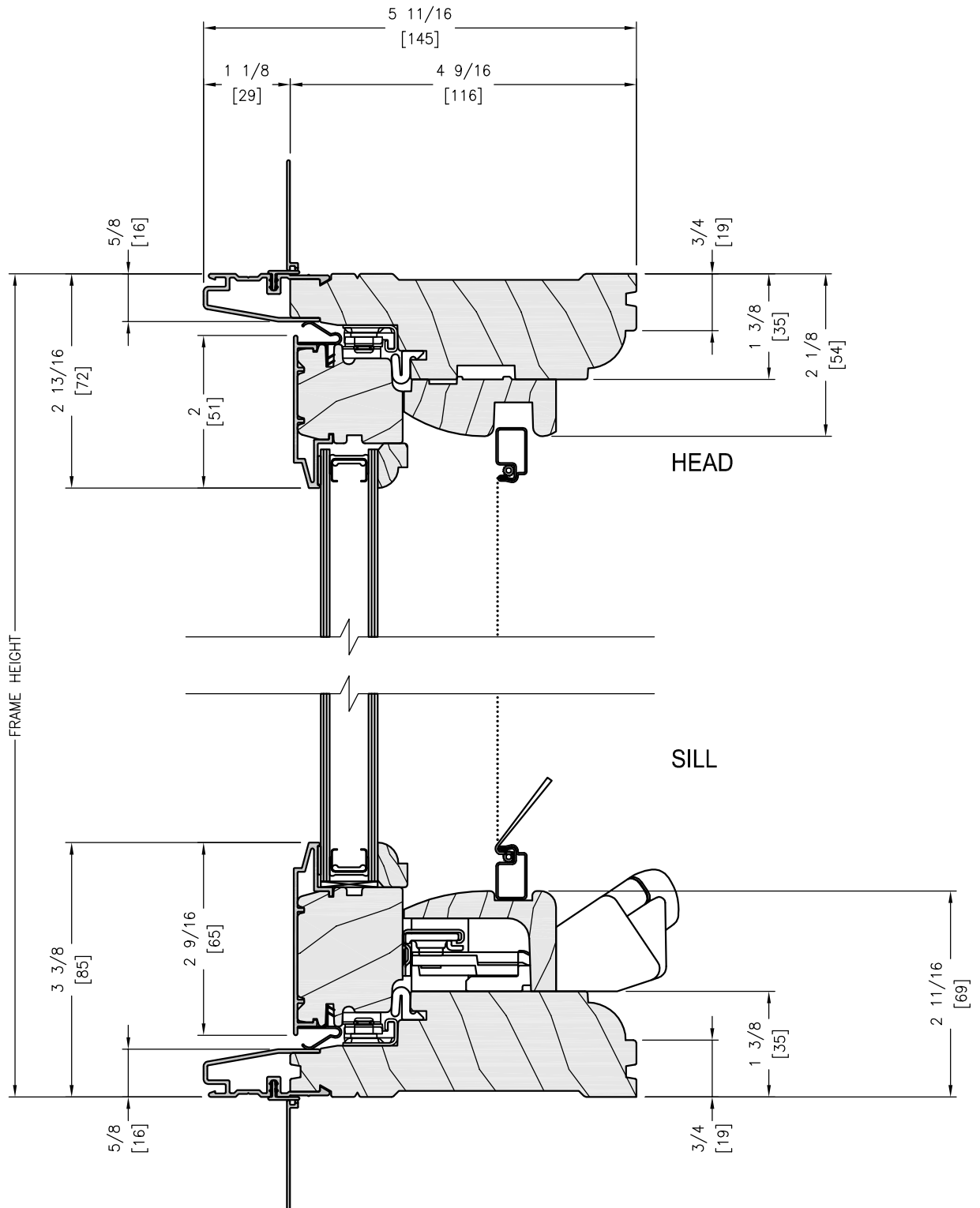
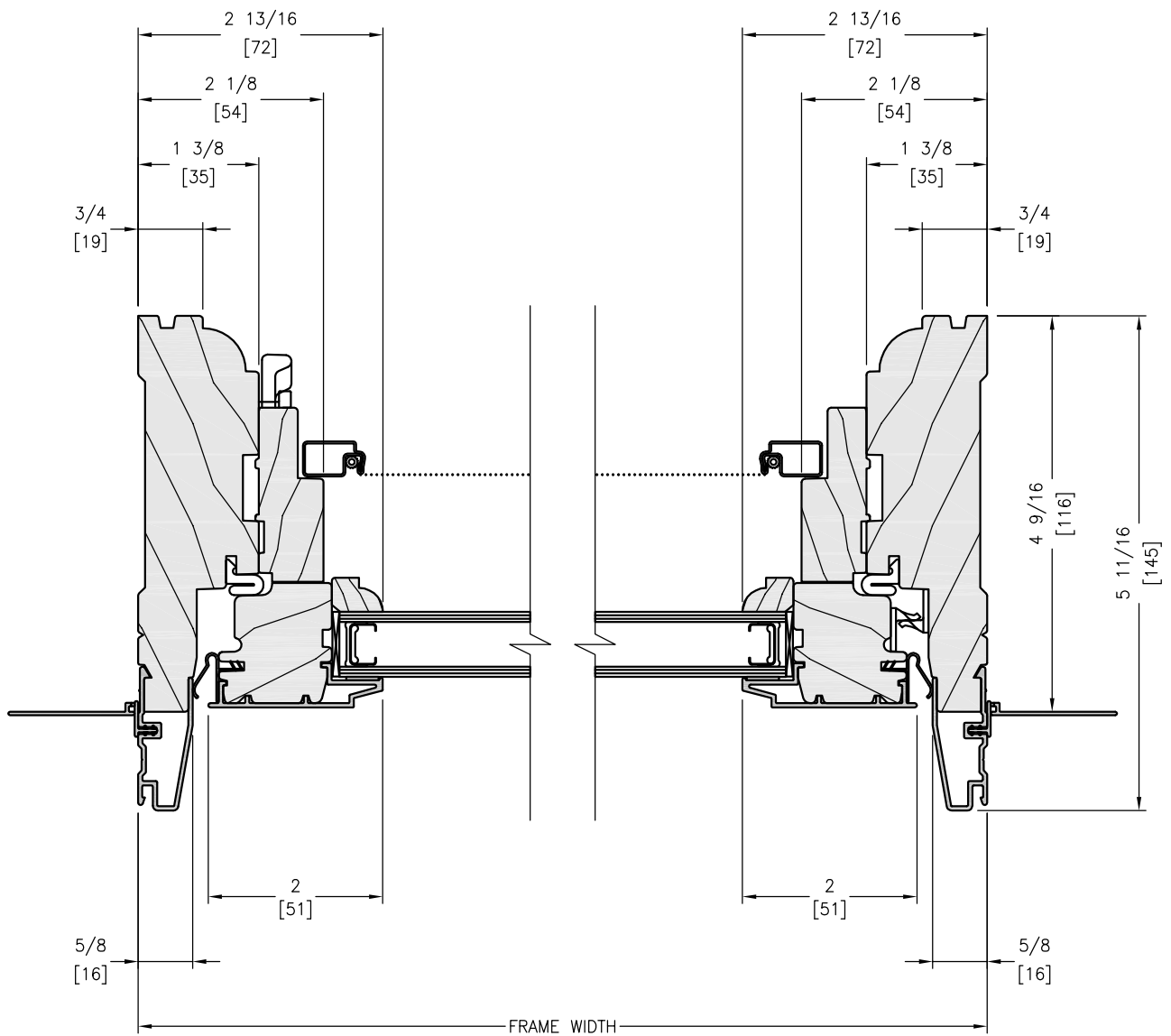
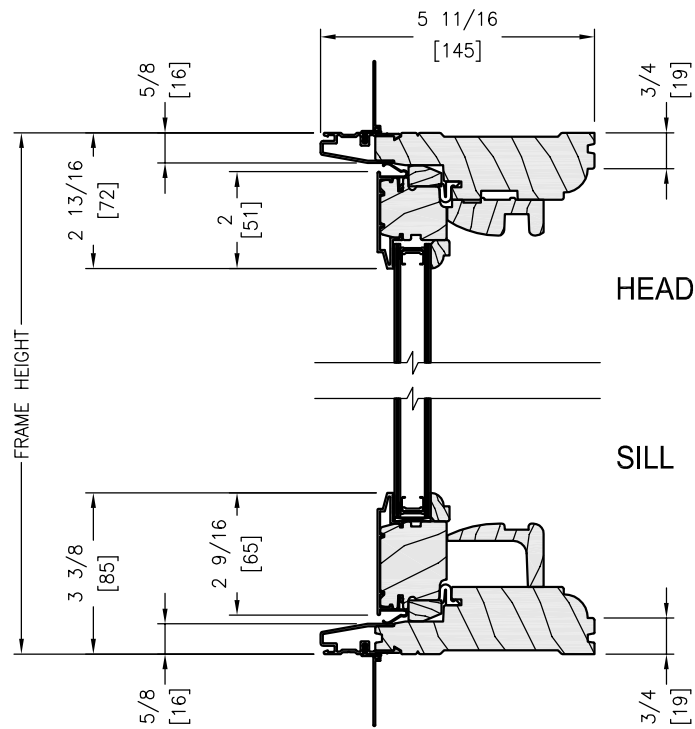
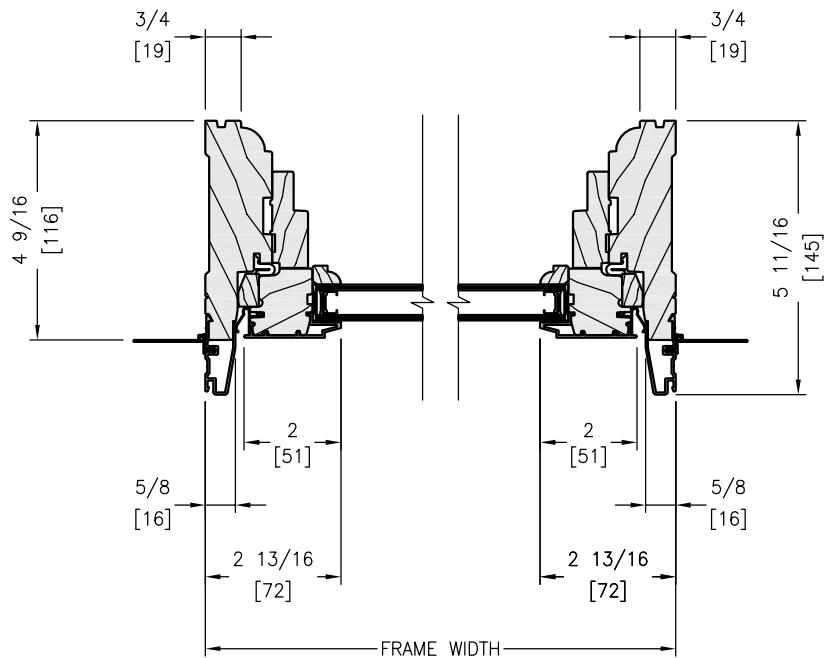


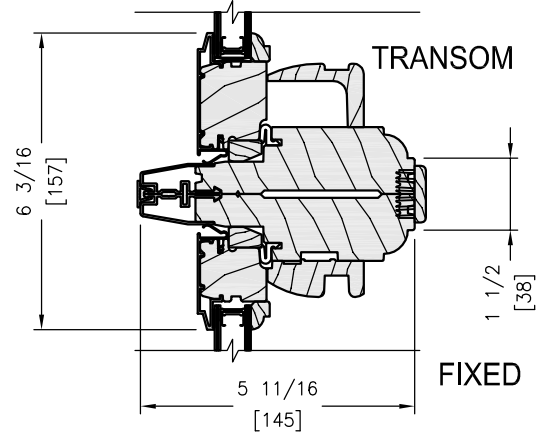
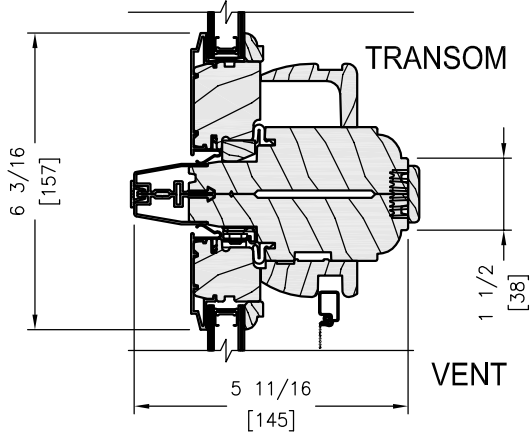
SCALE: 6" = 1'-0"
VERTICAL SECTION

UNIT DRAWN WITH OPTIONAL NAILING FIN

SCALE: 6" = 1'-0"
HORIZONTAL SECTION

LOCK JAMB
HINGE JAMB

SCALE: 3" = 1'-0"
CASEMENT PICTURE / TRANSOM WINDOW

VERTICAL SECTION

JAMB
JAMB
HORIZONTAL SECTION

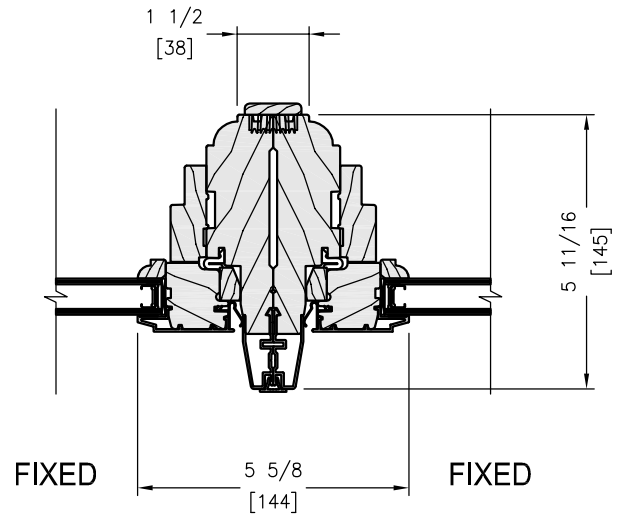
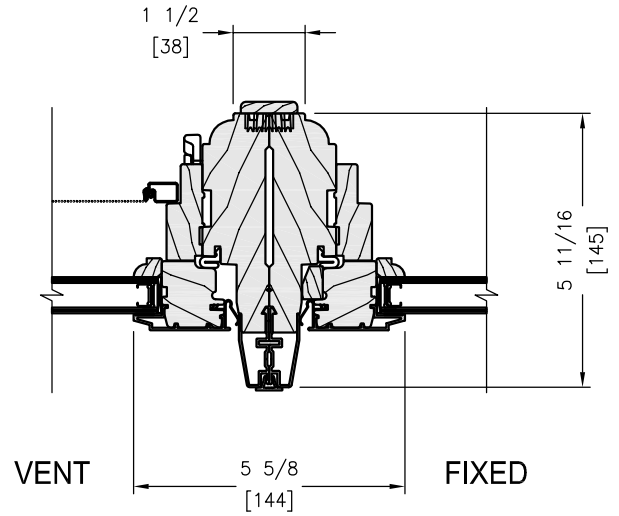
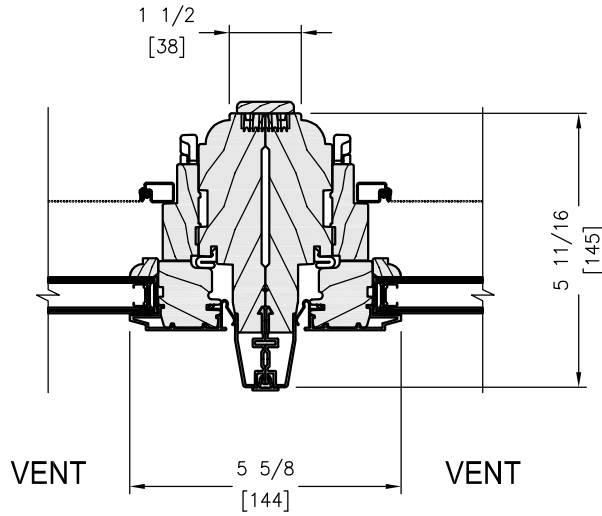
SCALE: 3" = 1'-0"

VERTICAL JOINING MULLIONS



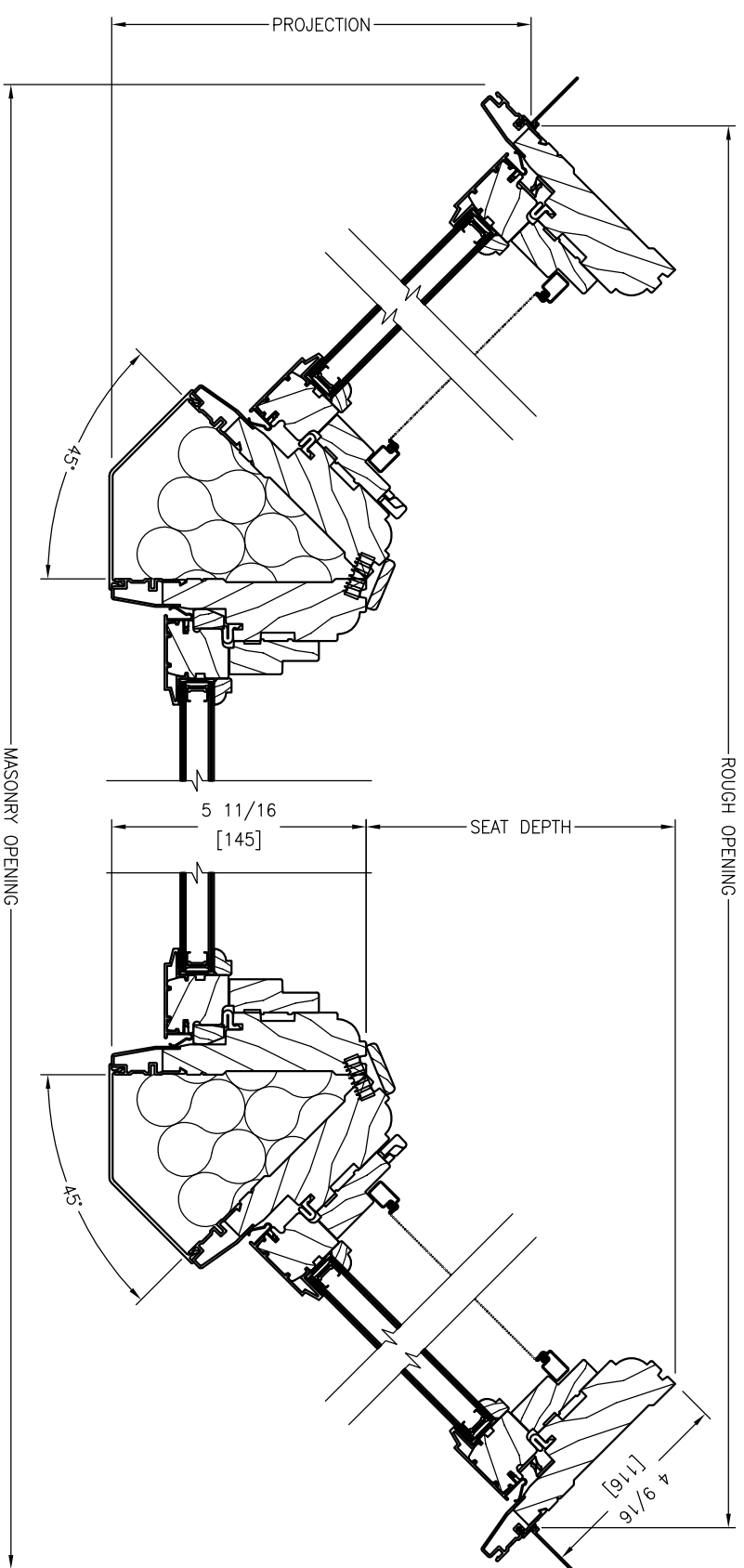
SCALE: 3" = 1'-0"

HORIZONTAL JOINING MULLIONS



SCALE: 3" = 1'-0"

BAY WINDOW HORIZONTAL SECTIONS

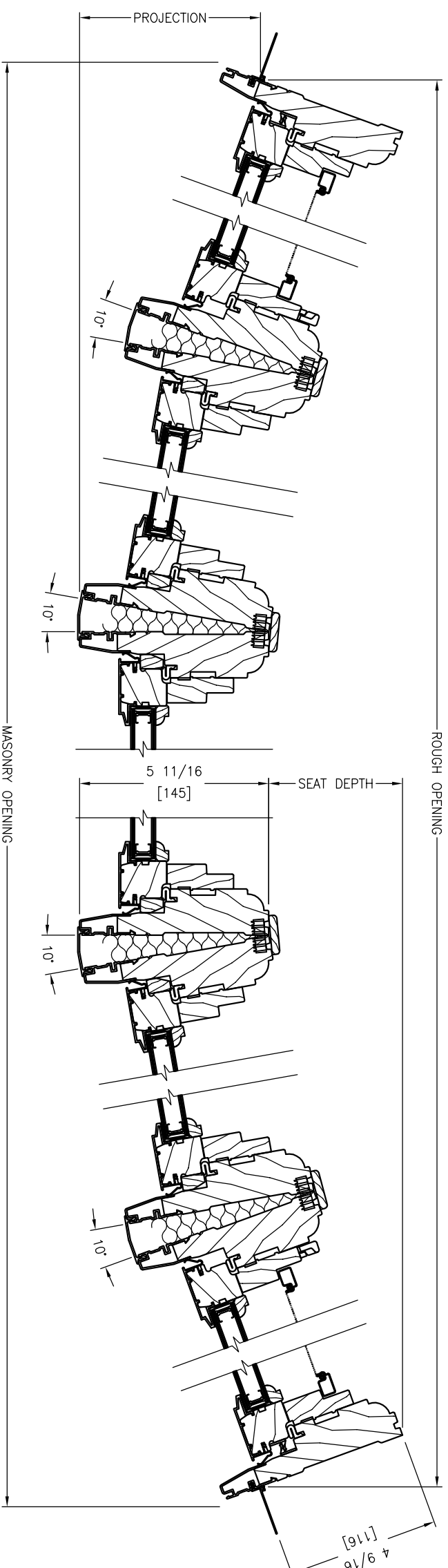


45° BAY WINDOW HORIZONTAL SECTION (SHOWN)

30° BAY WINDOW HORIZONTAL SECTION

SCALE: 3" = 1'-0"

10° BOW WINDOW HORIZONTAL SECTIONS



3 WIDE 10° BOW WINDOW
HORIZONTAL SECTION

4 WIDE 10° BOW WINDOW
HORIZONTAL SECTION

5 WIDE 10° BOW WINDOW
HORIZONTAL SECTION
(SHOWN)

UNITS DRAWN WITH OPTIONAL NAILING FIN