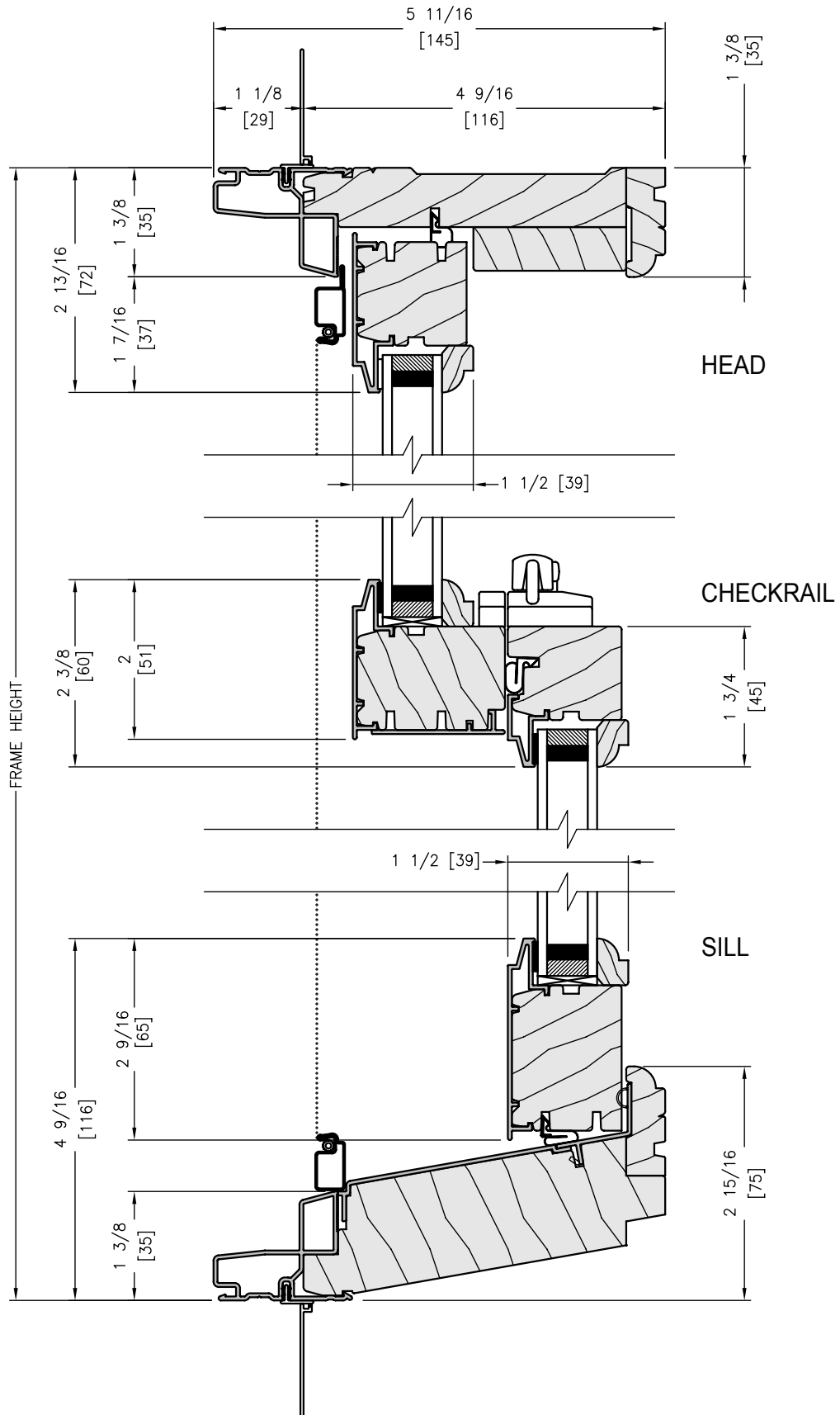
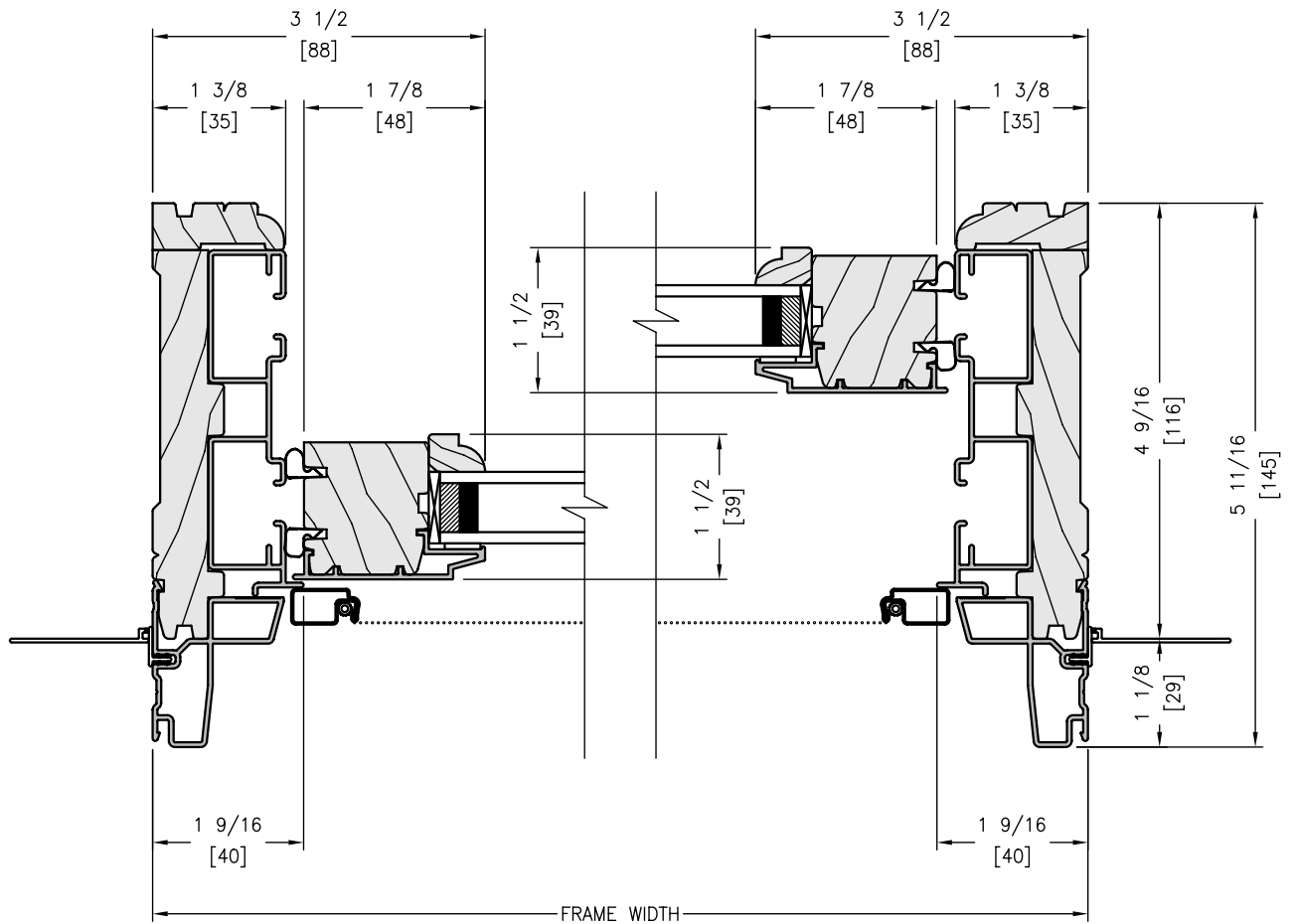
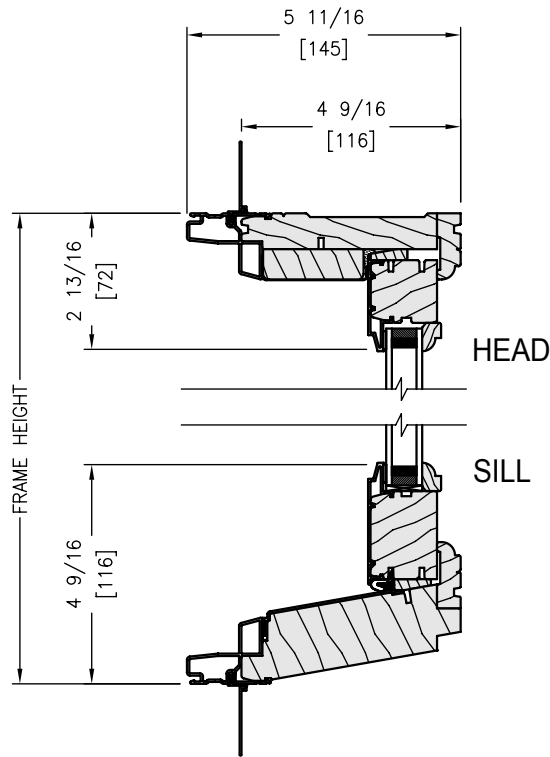
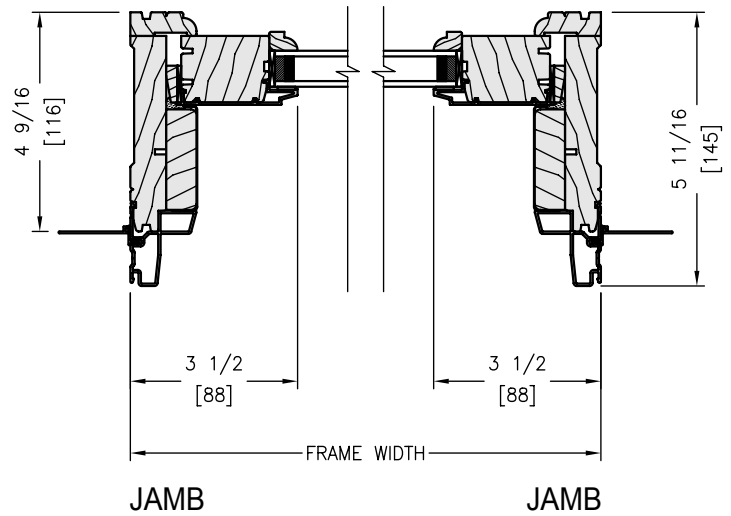
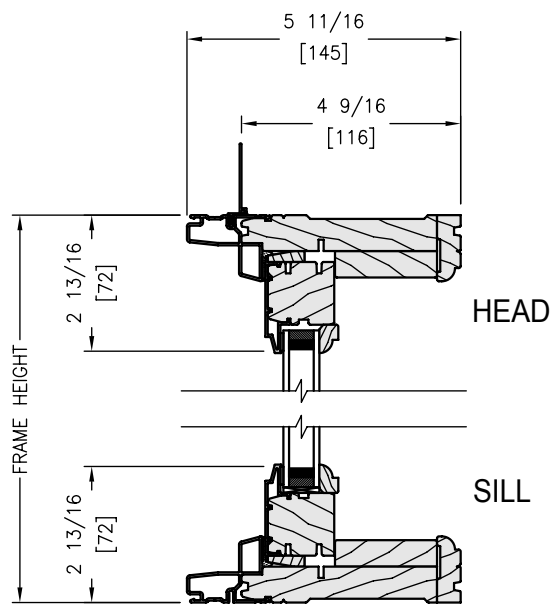
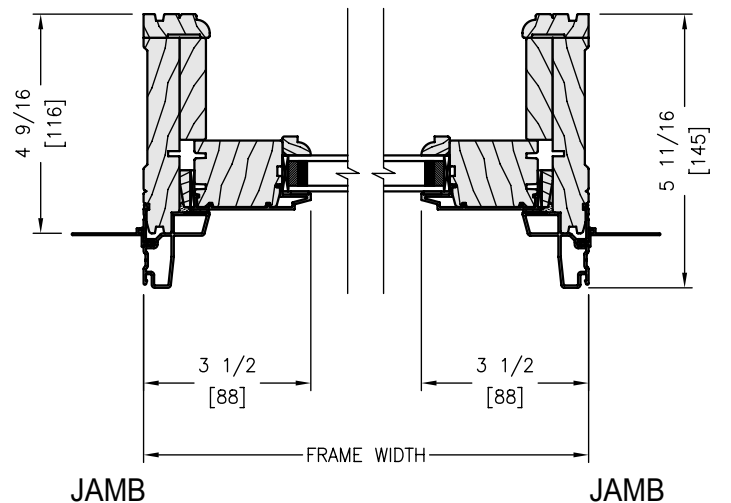


SCALE: 6" = 1'-0"
VERTICAL SECTION


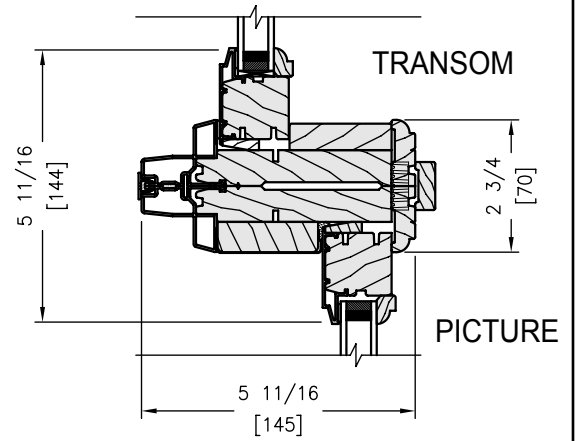
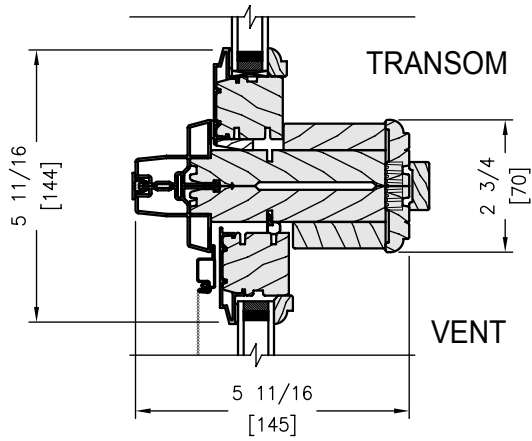
UNIT DRAWN WITH OPTIONAL NAILING FIN

SCALE: 6" = 1'-0"
HORIZONTAL SECTION

UPPER JAMB
LOWER JAMB

SCALE: 3" = 1'-0"
DOUBLE HUNG PICTURE WINDOW

VERTICAL SECTION

HORIZONTAL SECTION
SCALE: 3" = 1'-0"
DOUBLE HUNG TRANSOM WINDOW

VERTICAL SECTION

HORIZONTAL SECTION
UNITS DRAWN WITH OPTIONAL NAILING FIN

SCALE: 3" = 1'-0"

VERTICAL JOINING MULLIONS



SCALE: 3" = 1'-0"

HORIZONTAL JOINING MULLIONS

