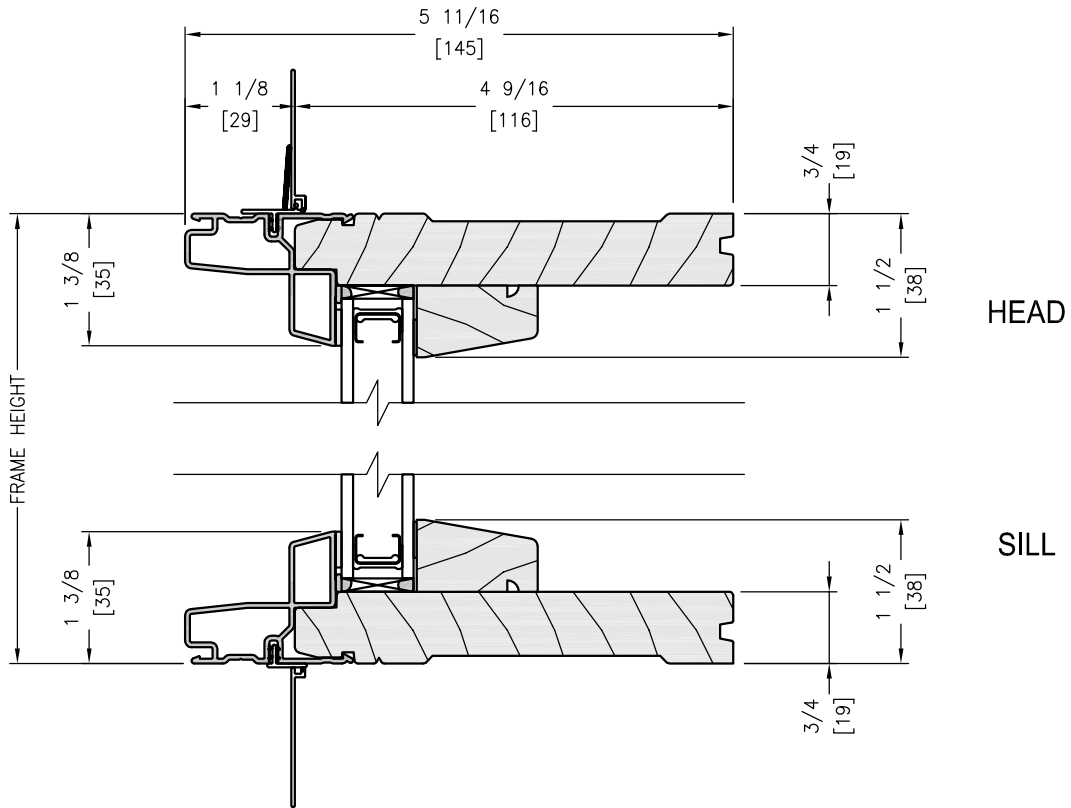


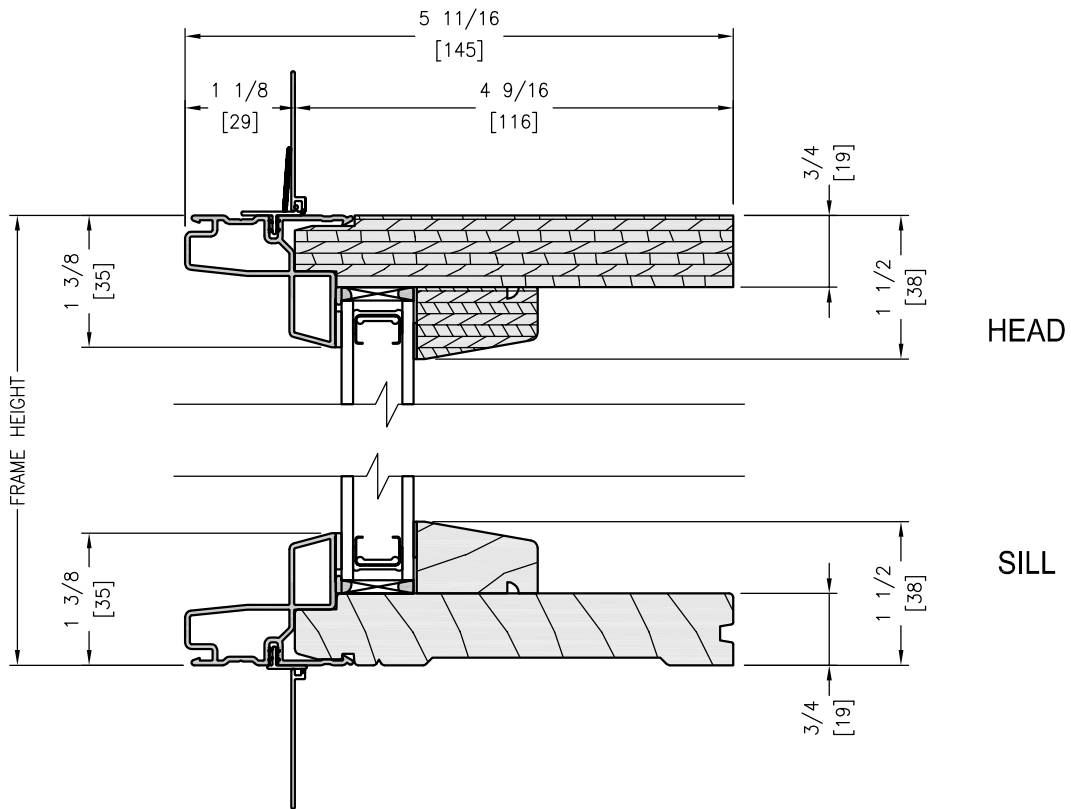
SCALE: 6" = 1'-0"

(STRAIGHT FRAME) VERTICAL SECTION



SCALE: 6" = 1'-0"

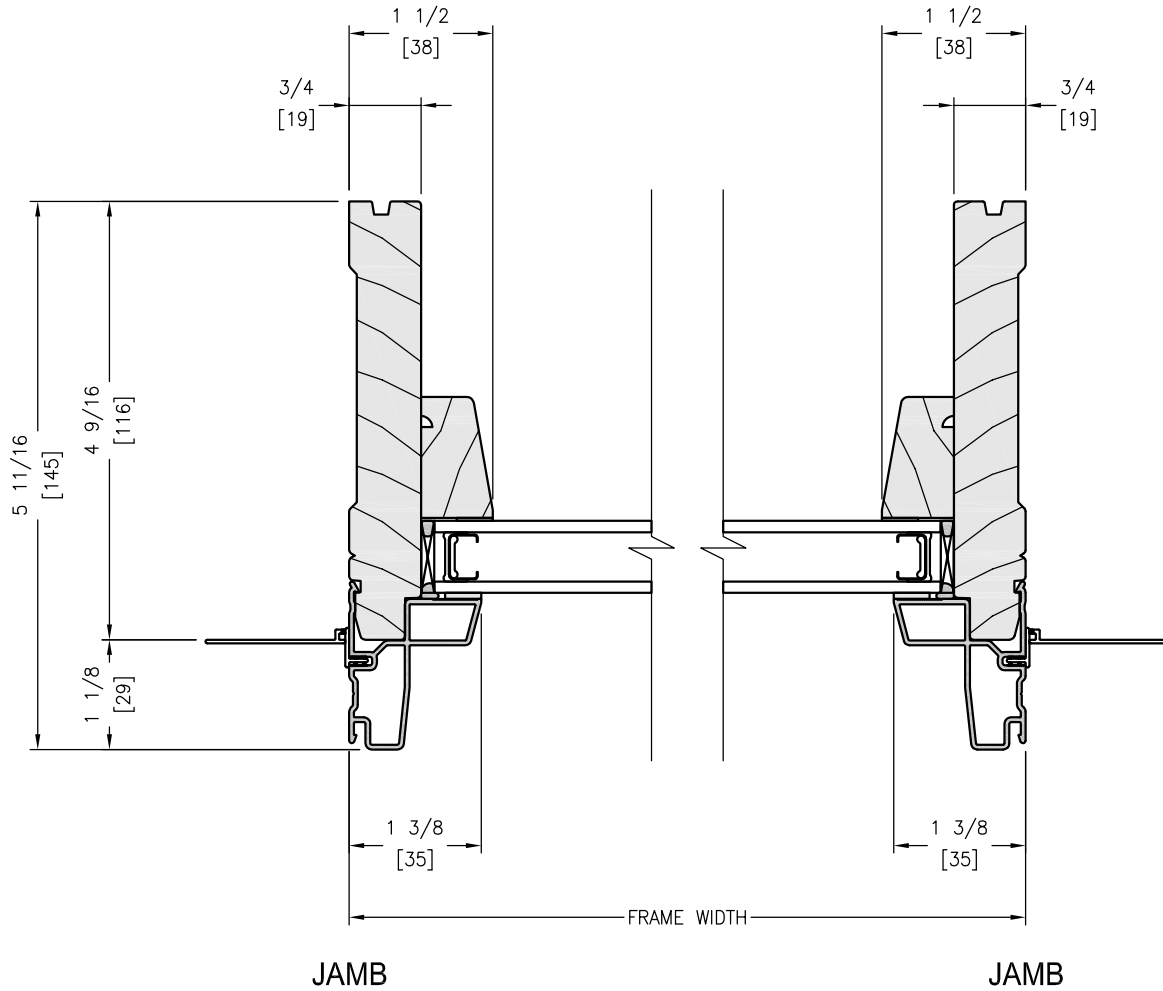
(CURVED FRAME) VERTICAL SECTION



UNIT DRAWN WITH OPTIONAL NAILING FIN

SCALE: 6" = 1'-0"

HORIZONTAL SECTION



UNIT DRAWN WITH OPTIONAL NAILING FIN