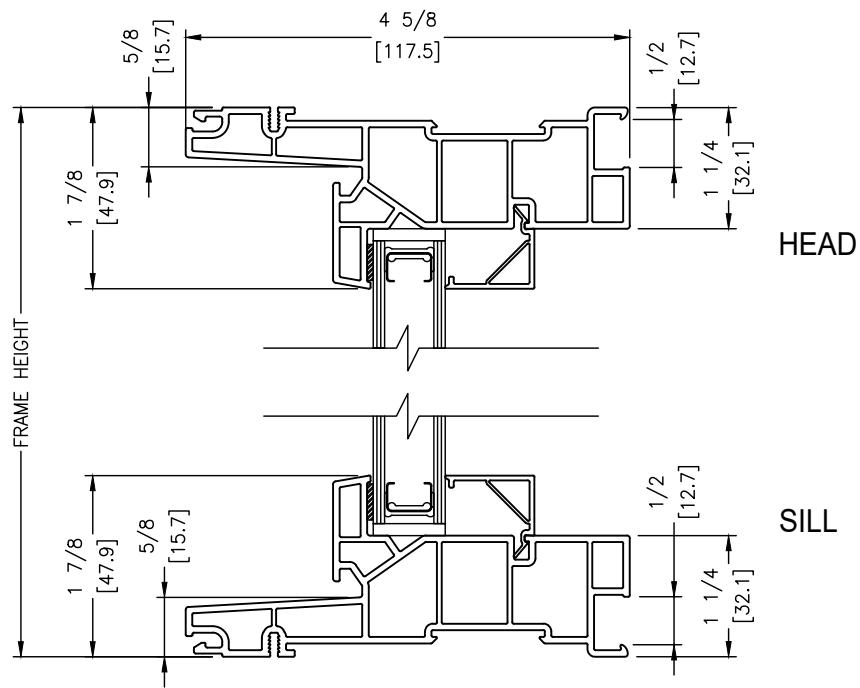


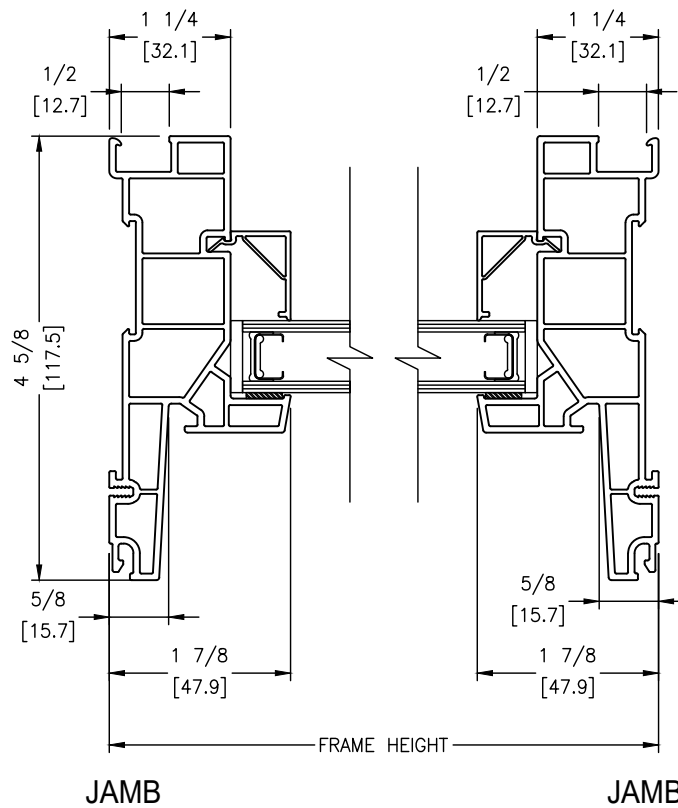
SCALE: 6" = 1'-0"

VERTICAL SECTION

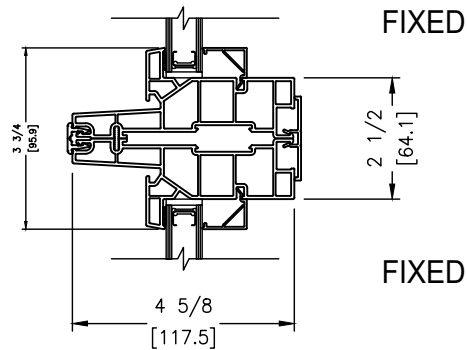


SCALE: 6" = 1'-0"

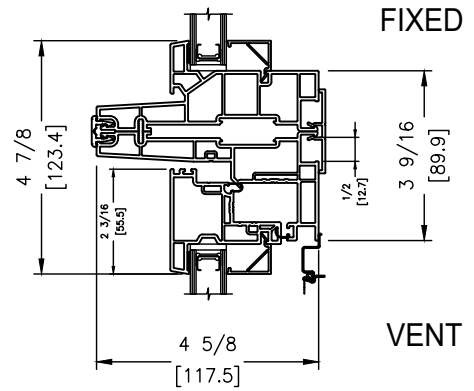
HORIZONTAL SECTION



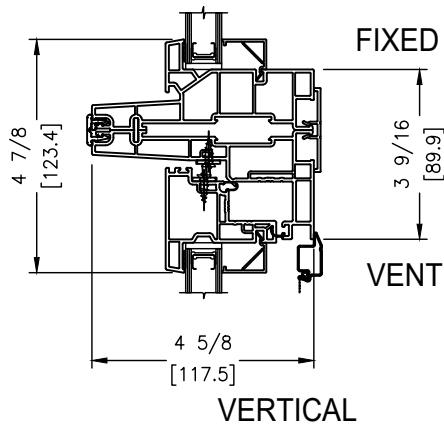
FIX PICTURE OVER FIX PICTURE



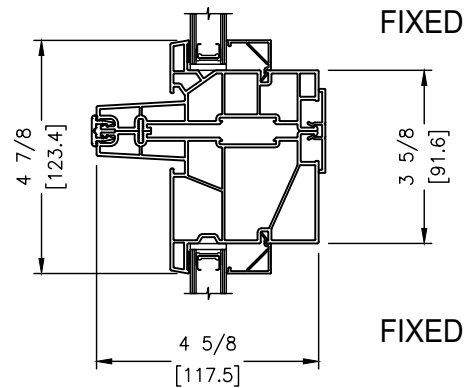
FIX PICTURE OVER CASEMENT



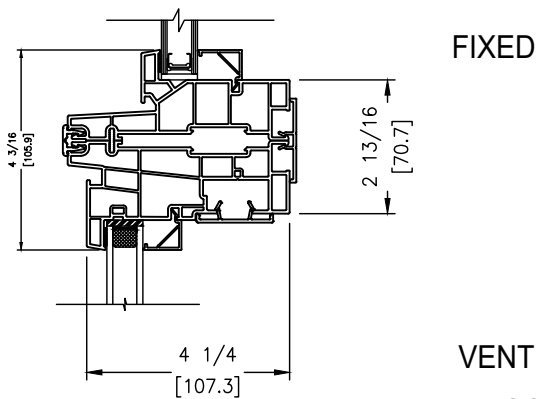
FIX PICTURE OVER AWNING



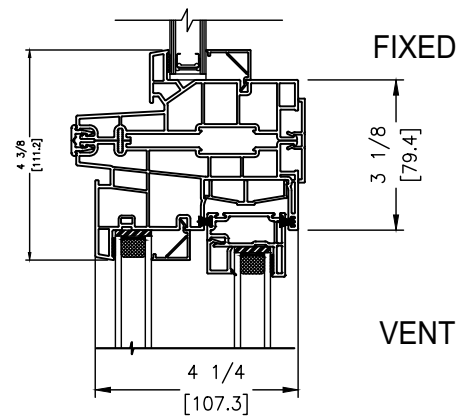
FIX PICTURE OVER FIXED CASEMENT



FIX PICTURE OVER SINGLE HUNG

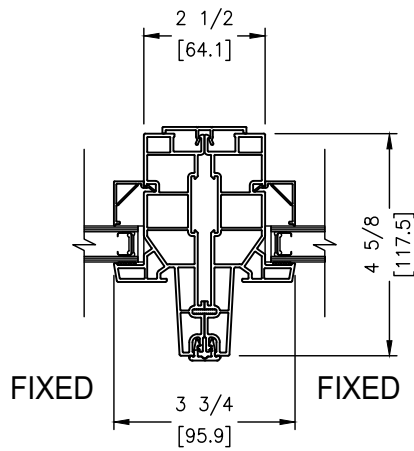


FIX PICTURE OVER SINGLE SLIDER

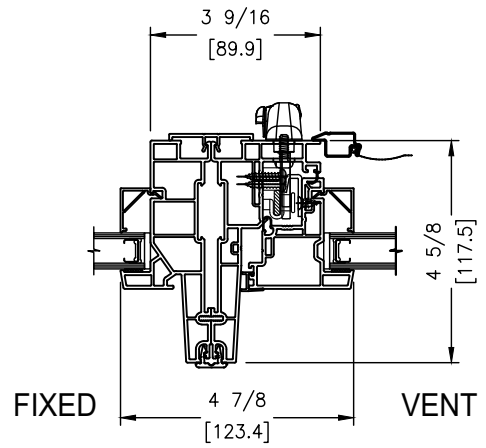


SCALE: 3" = 1'-0"

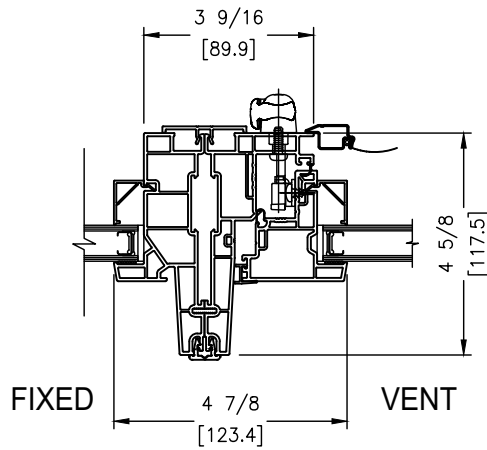
FIX PICTURE TO FIX PICTURE



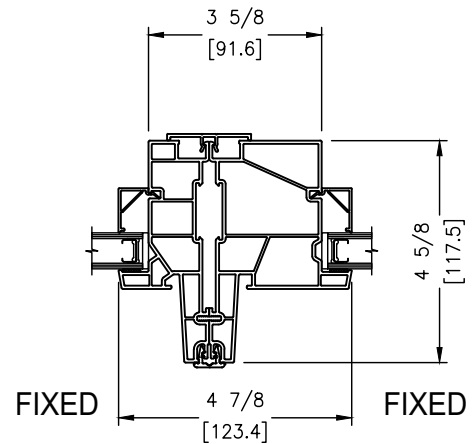
FIX PICTURE TO CASEMENT



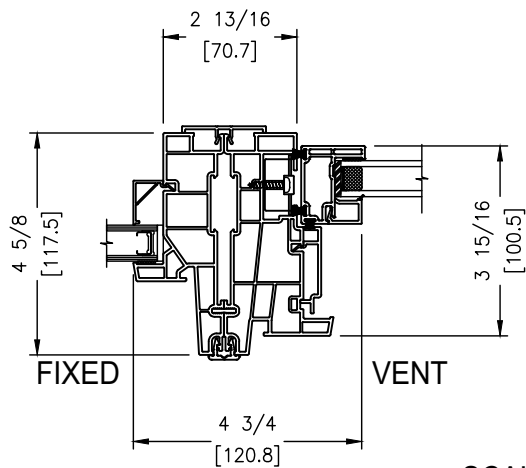
FIX PICTURE TO AWNING



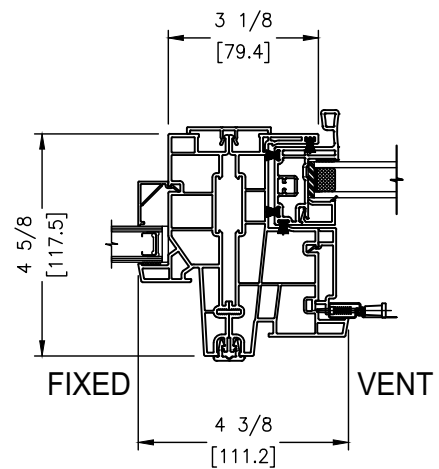
FIX PICTURE TO FIXED CASEMENT



FIX PICTURE TO SINGLE HUNG

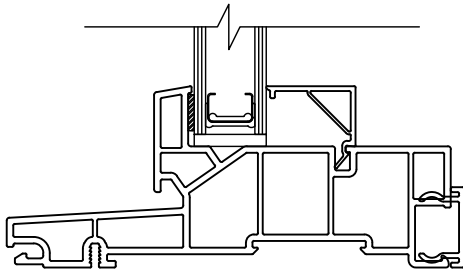


FIX PICTURE TO SINGLE SLIDER

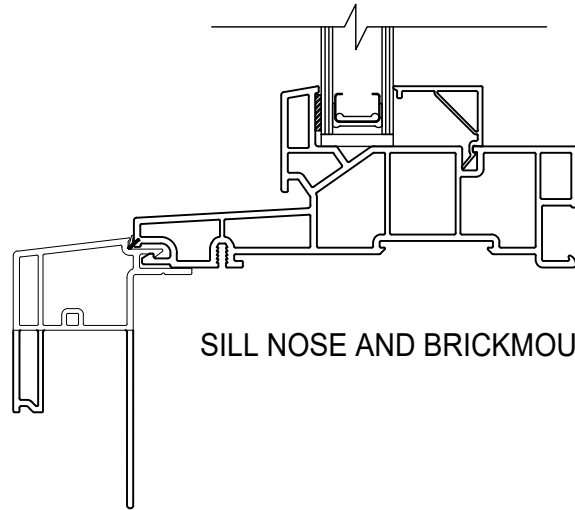


SCALE: 3" = 1'-0"

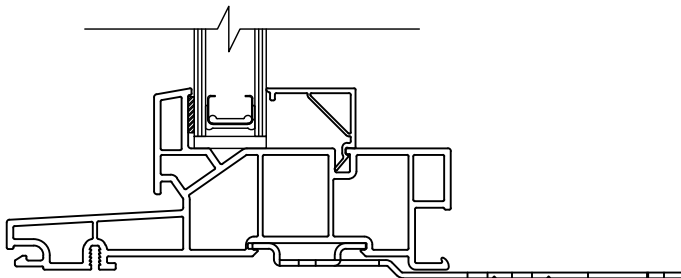
SCALE: 6" = 1'-0"



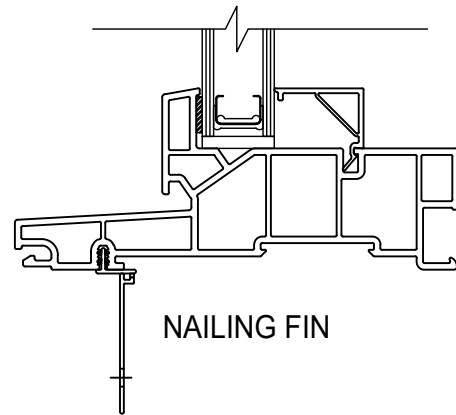
INTERIOR SLOT COVER



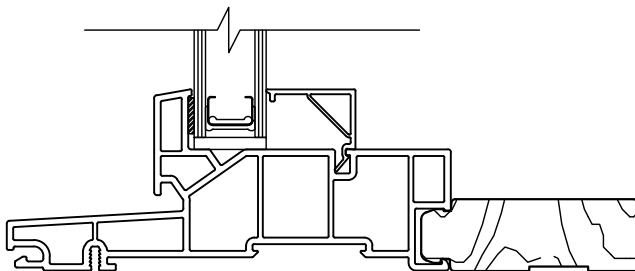
SILL NOSE AND BRICKMOULDS



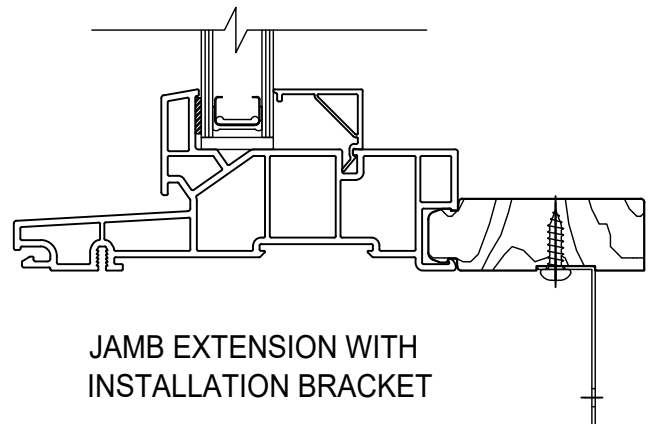
MASONRY CLIP



NAILING FIN



JAMB EXTENSIONS



JAMB EXTENSION WITH
INSTALLATION BRACKET