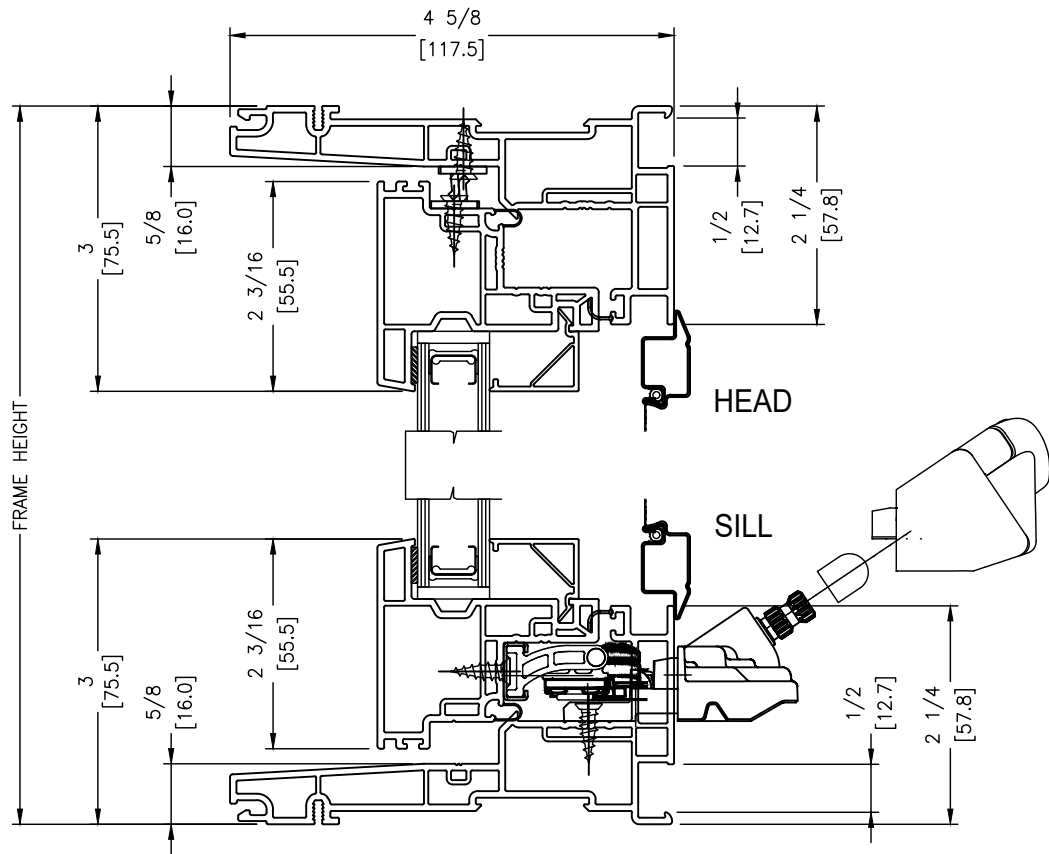


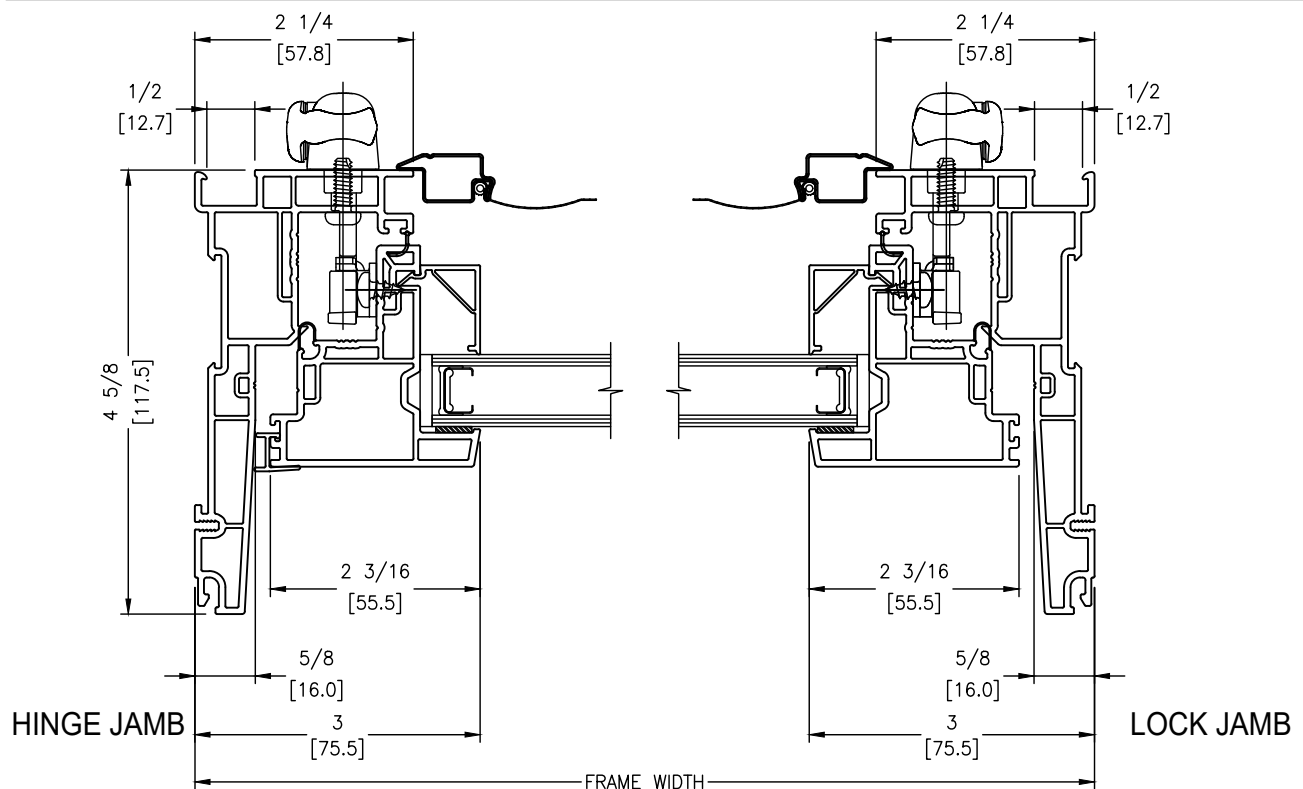
SCALE: 6" = 1'-0"

VERTICAL SECTION



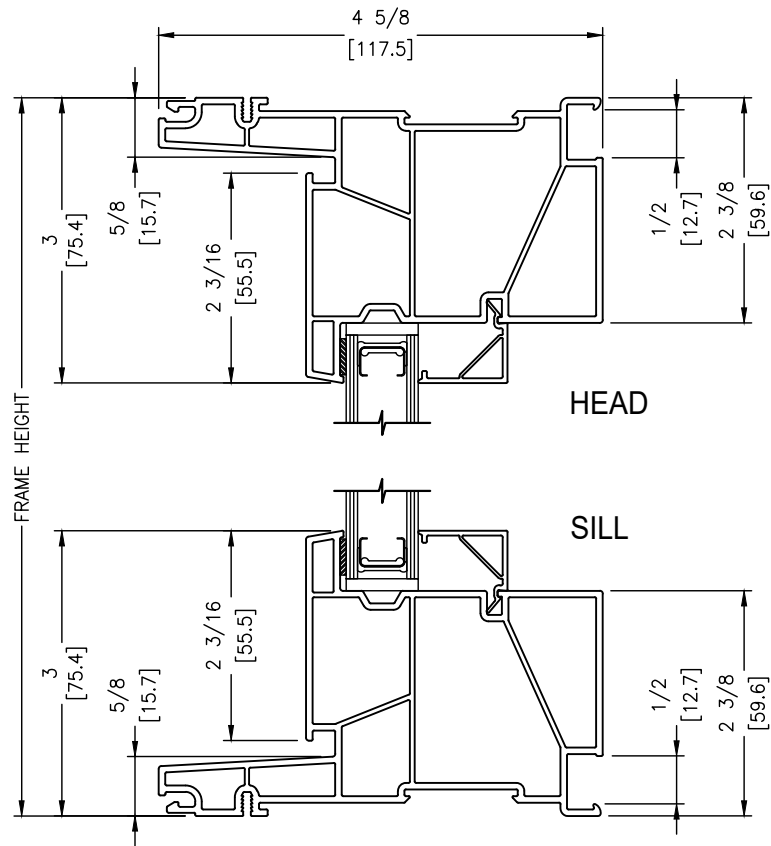
SCALE: 6" = 1'-0"

HORIZONTAL SECTION



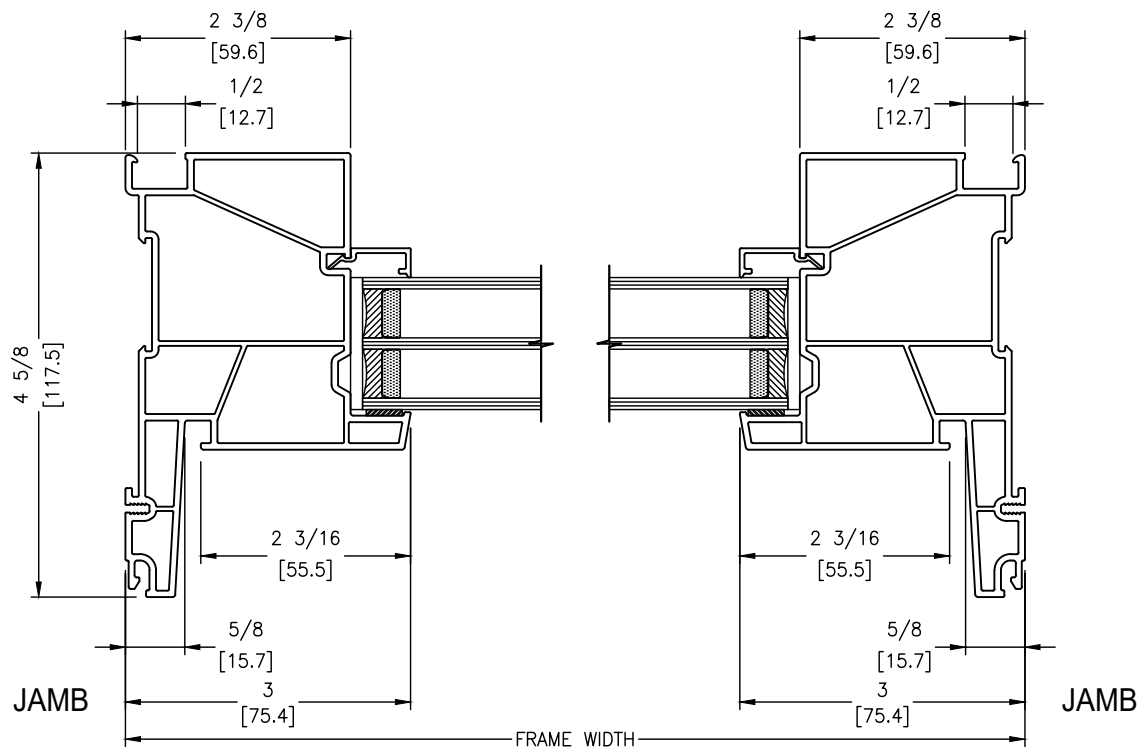
SCALE: 6" = 1'-0"

VERTICAL SECTION



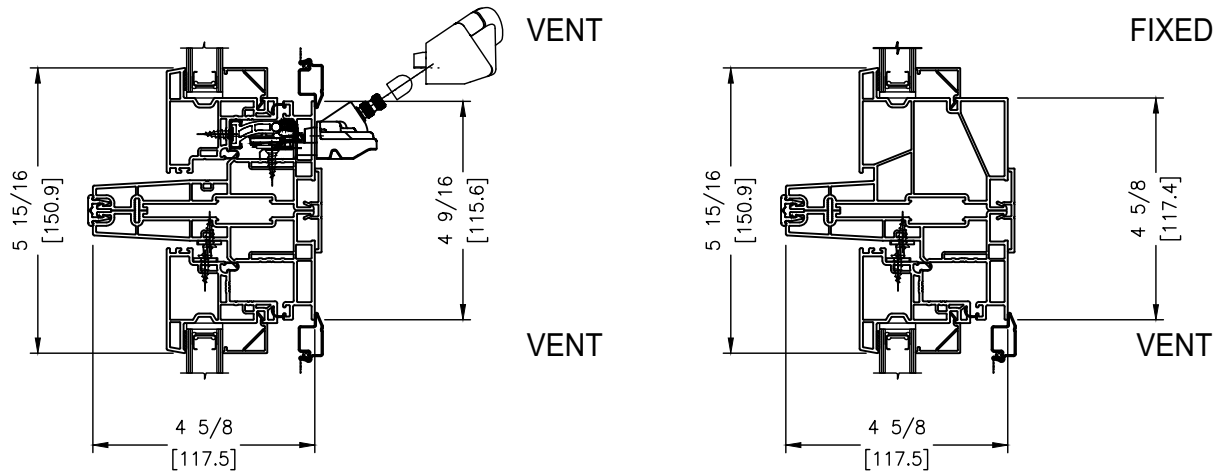
SCALE: 6" = 1'-0"

HORIZONTAL SECTION



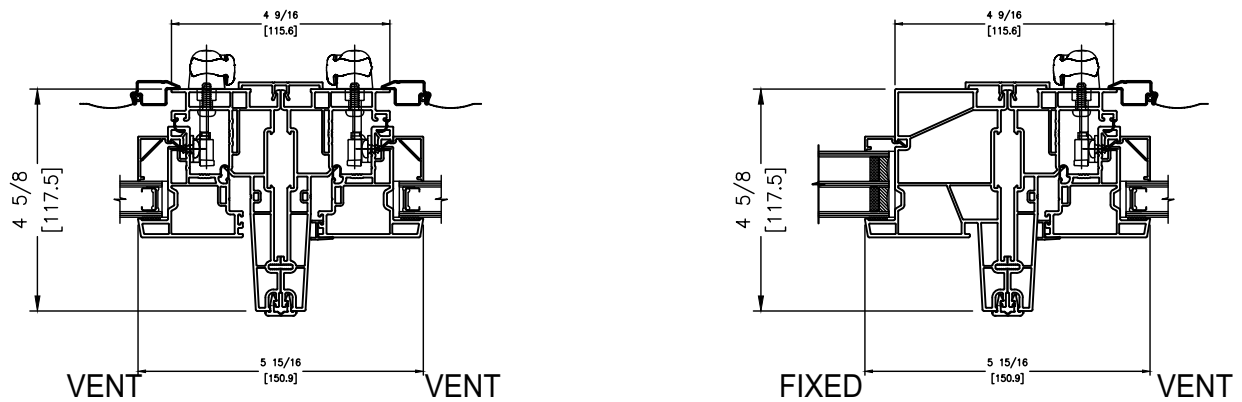
SCALE: 3" = 1'-0"

VERTICAL JOINING MULLIONS



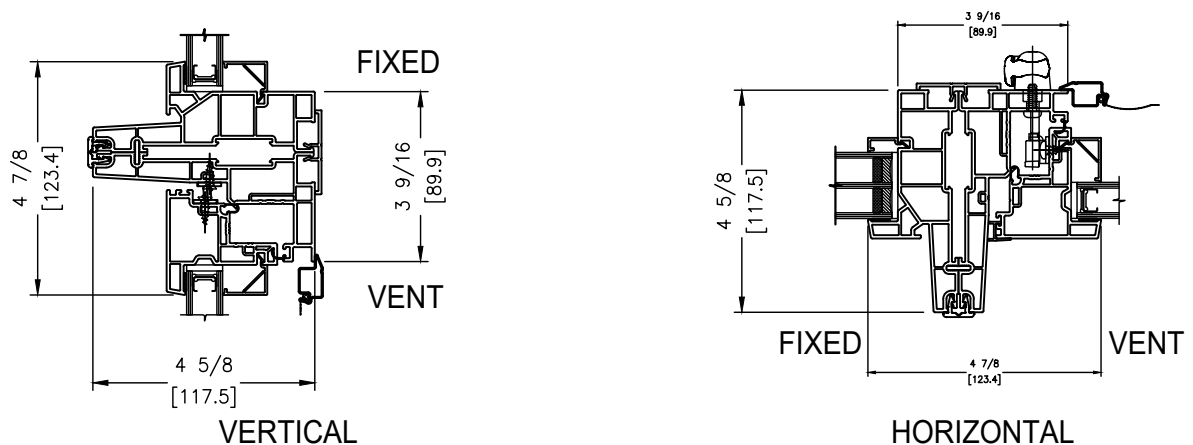
SCALE: 3" = 1'-0"

HORIZONTAL JOINING MULLIONS

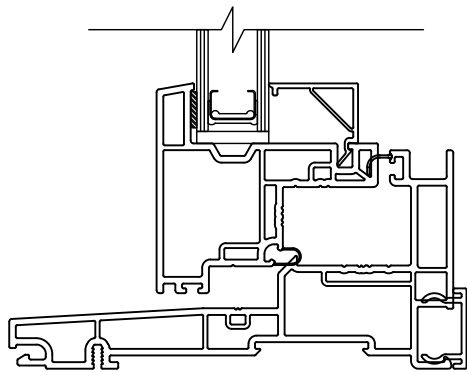


SCALE: 3" = 1'-0"

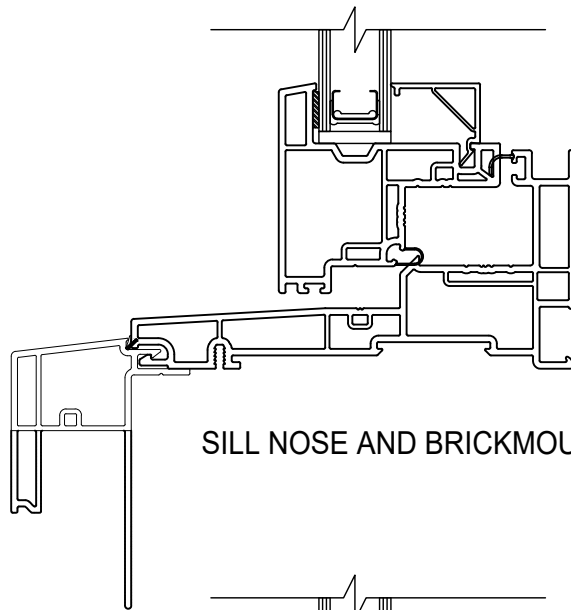
FIX PICTURE TO AWNING



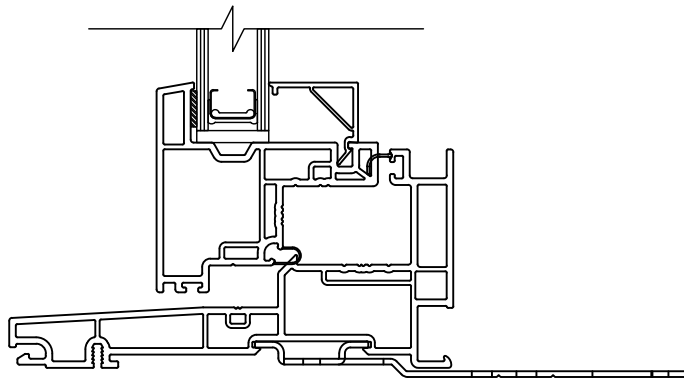
SCALE: 6" = 1'-0"



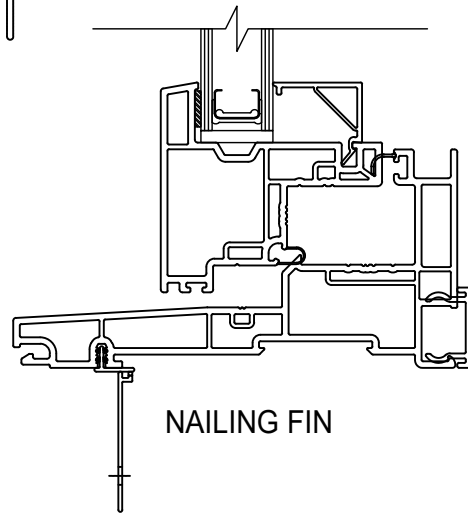
INTERIOR SLOT COVER



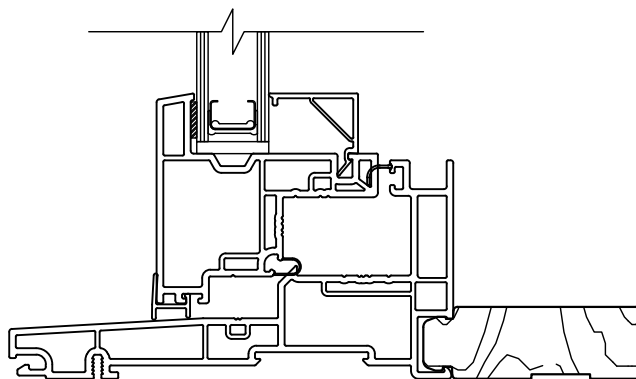
SILL NOSE AND BRICKMOULDS



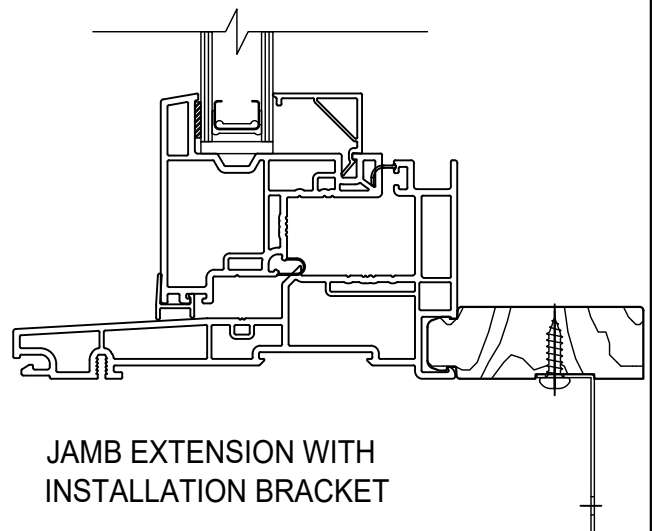
MASONRY CLIP



NAILING FIN



JAMB EXTENSIONS



JAMB EXTENSION WITH  
INSTALLATION BRACKET