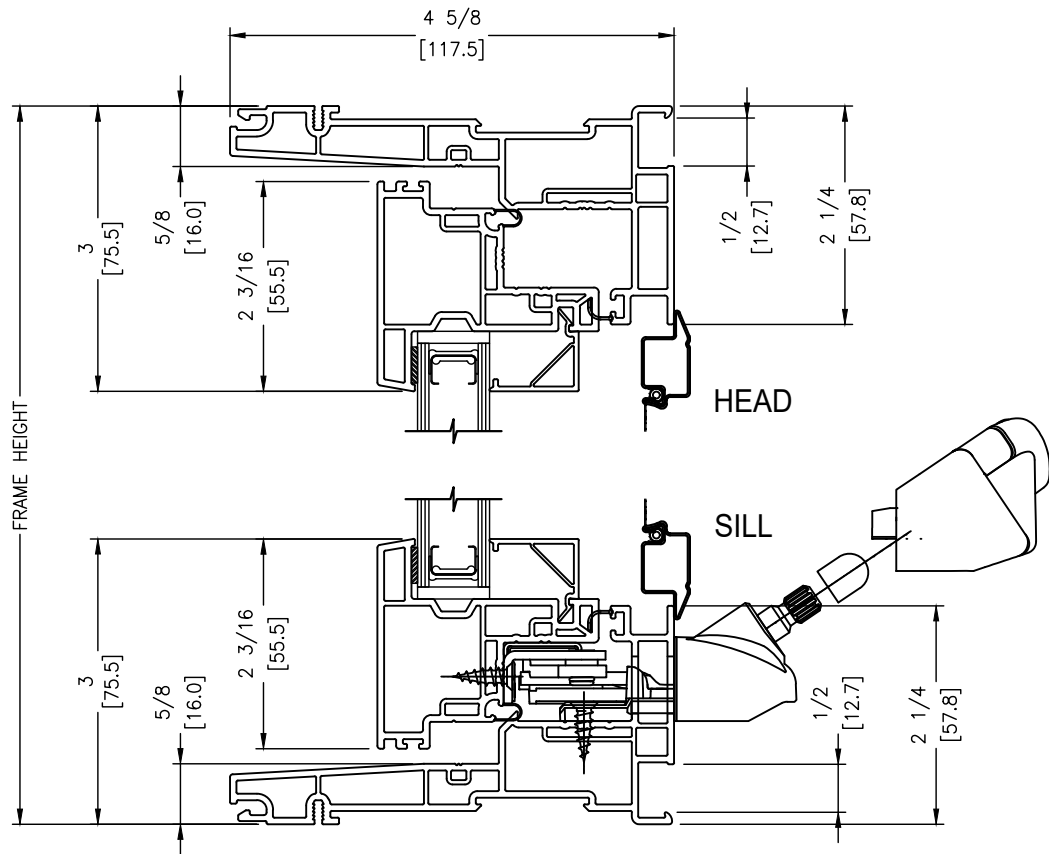
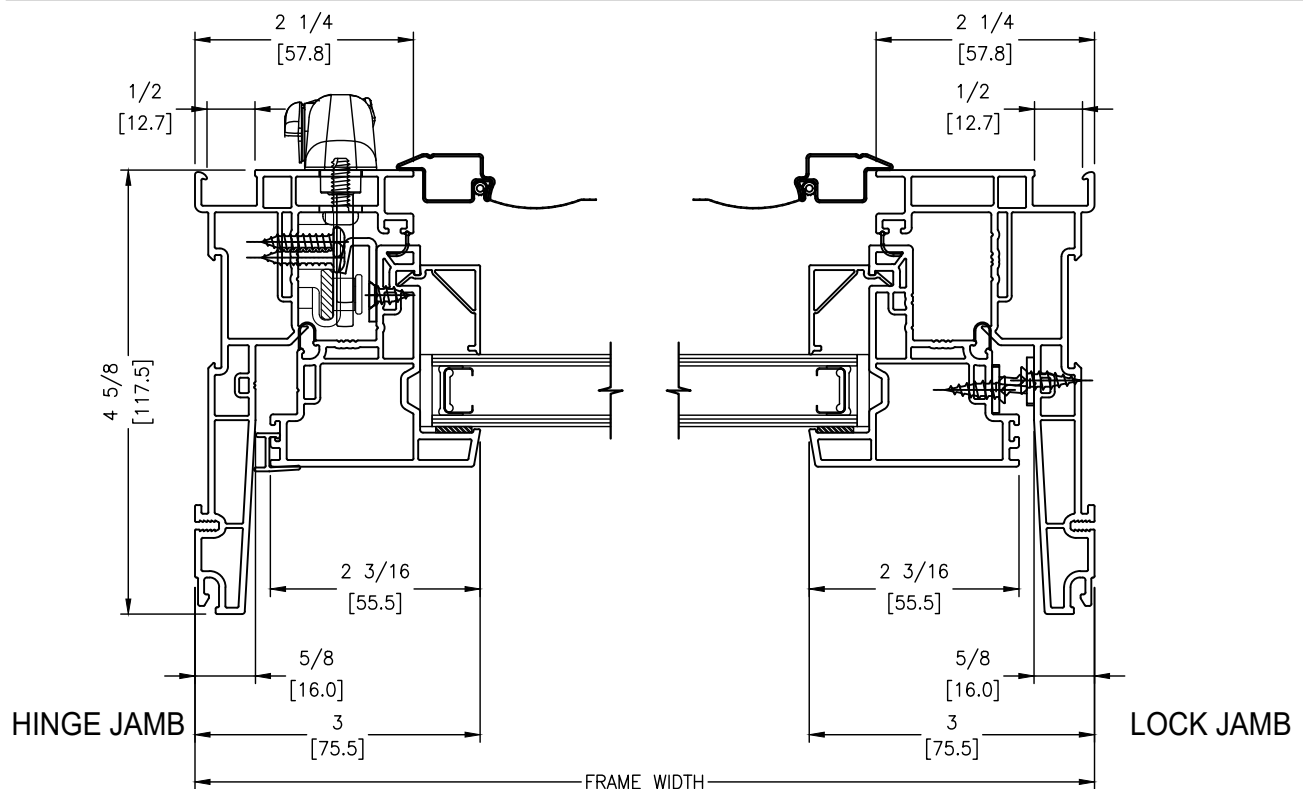
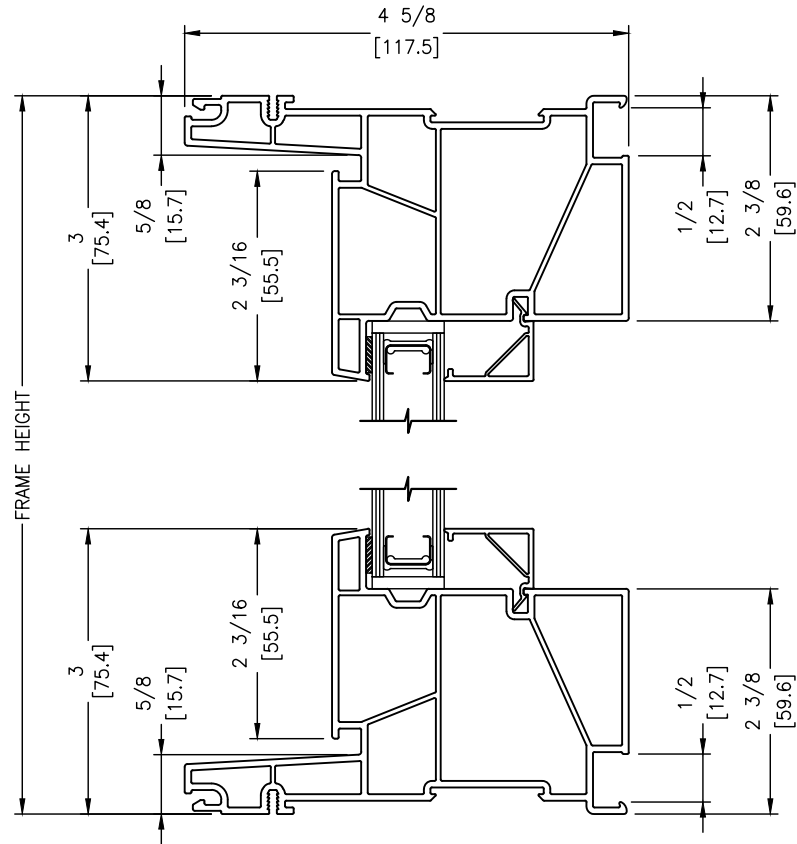


**SCALE: 6" = 1'-0"**
**VERTICAL SECTION**

**SCALE: 6" = 1'-0"**
**HORIZONTAL SECTION**


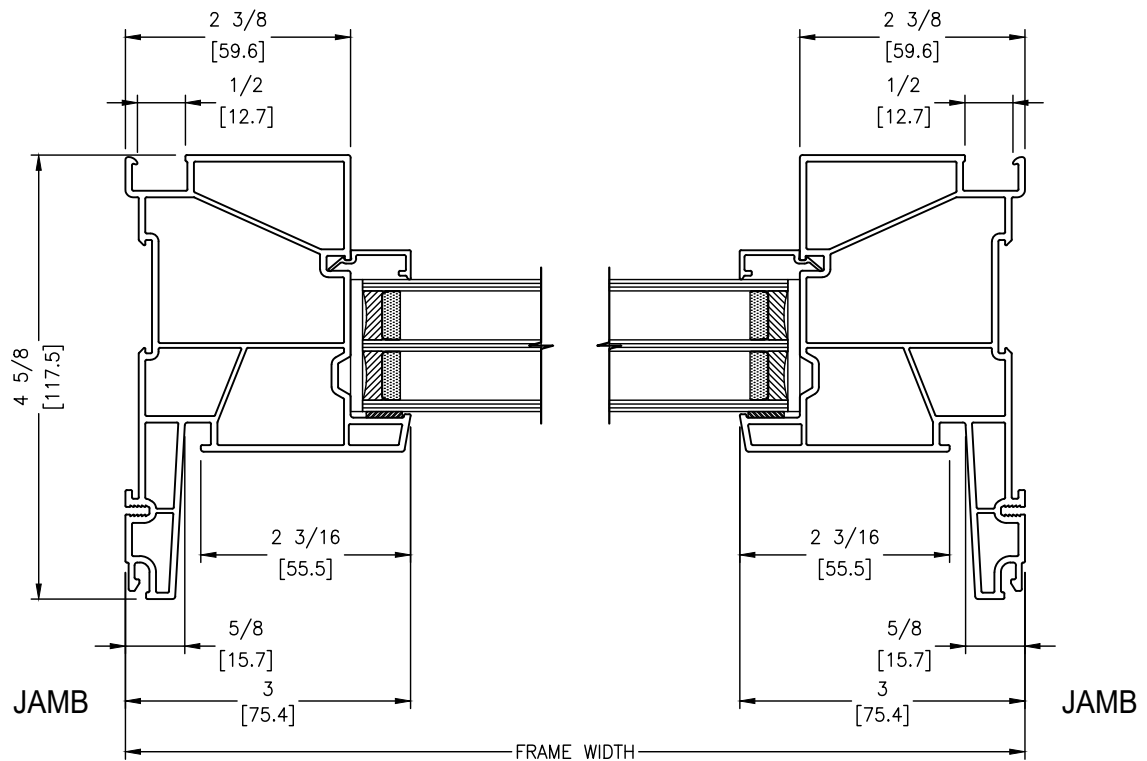
SCALE: 6" = 1'-0"

VERTICAL SECTION



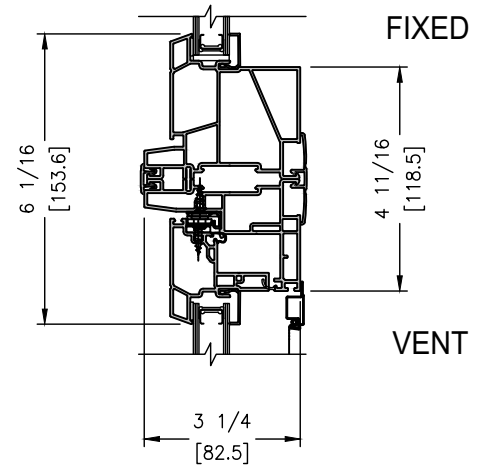
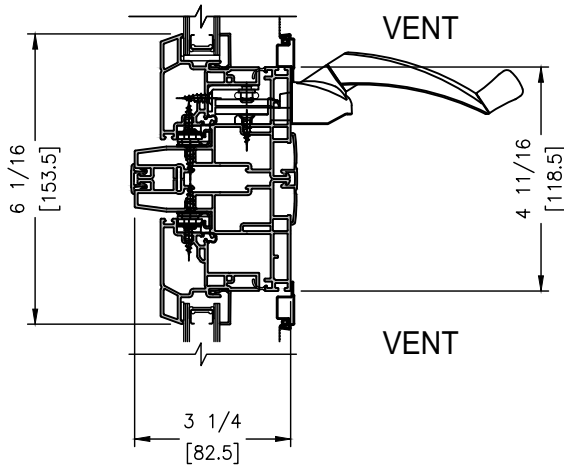
SCALE: 6" = 1'-0"

HORIZONTAL SECTION



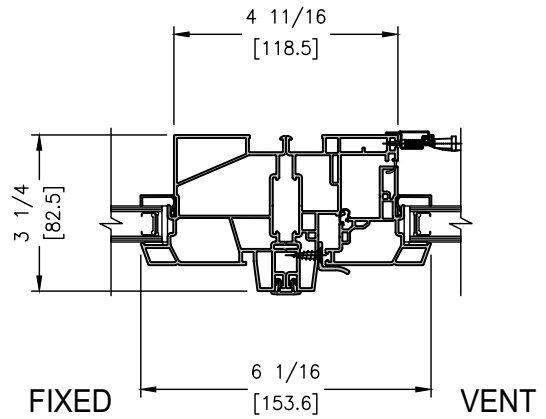
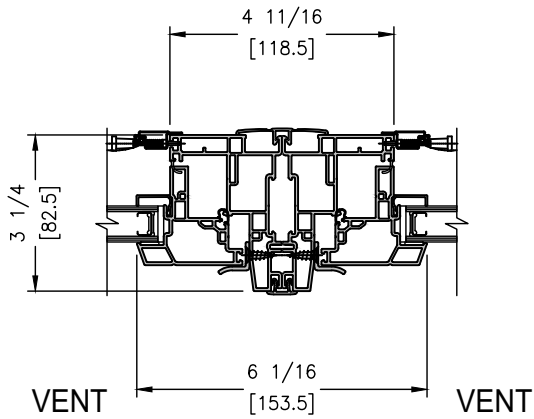
SCALE: 3" = 1'-0"

VERTICAL JOINING MULLIONS



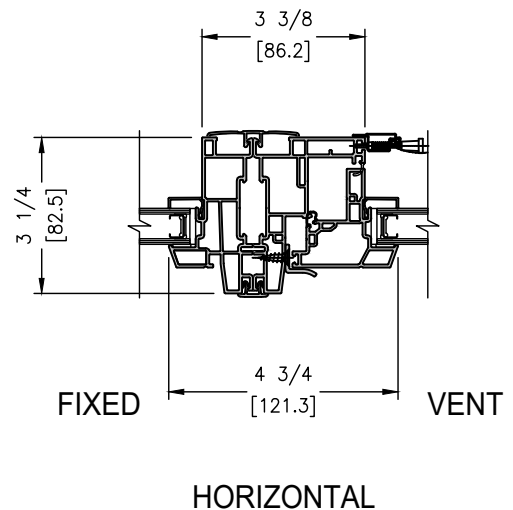
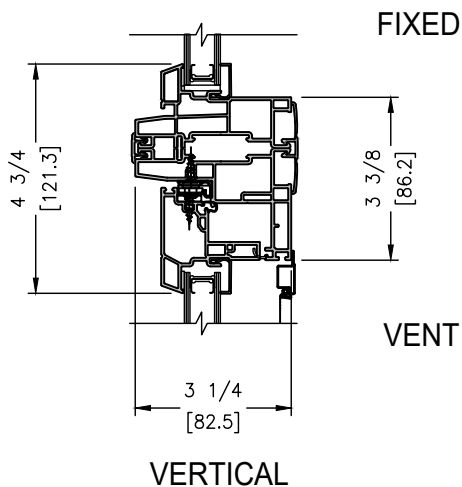
SCALE: 3" = 1'-0"

HORIZONTAL JOINING MULLIONS



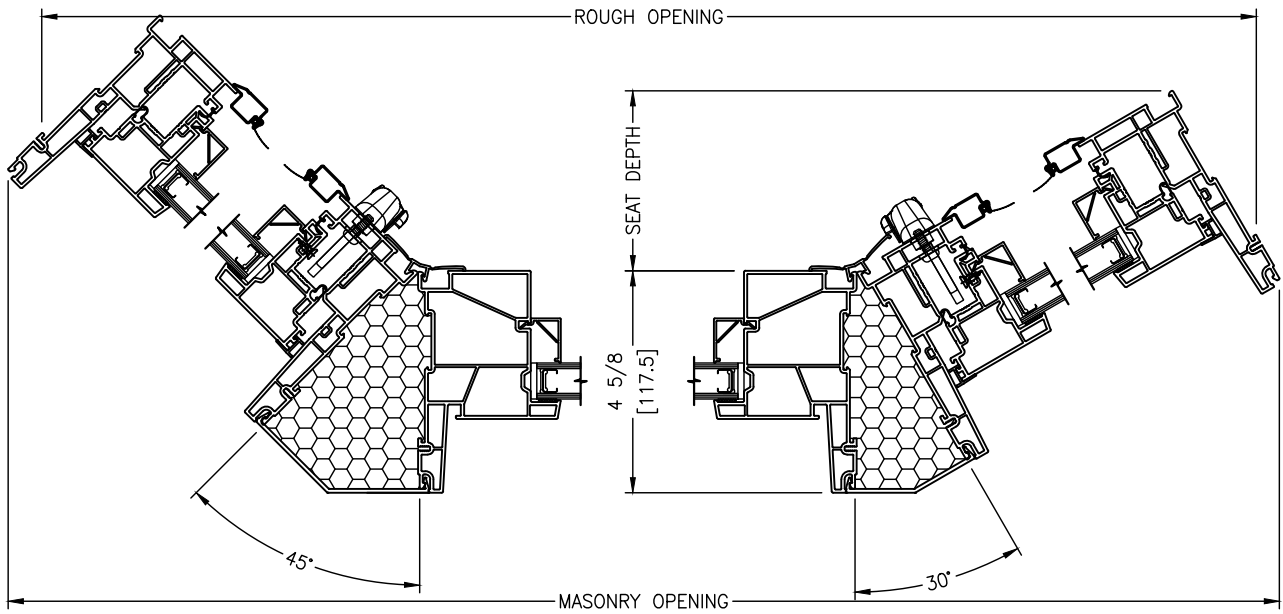
SCALE: 3" = 1'-0"

DIRECT SET TO CASEMENT



SCALE: 3" = 1'-0"

BAY WINDOW HORIZONTAL SECTIONS

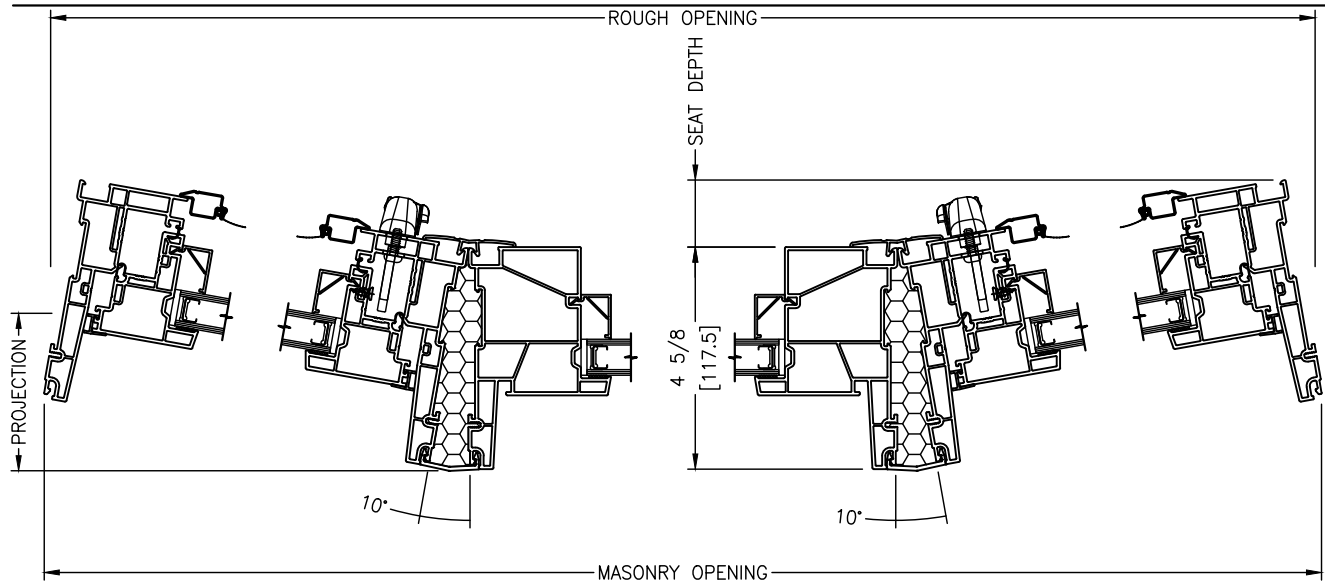


45° BAY WINDOW  
HORIZONTAL SECTION  
(SHOWN)

30° BAY WINDOW  
HORIZONTAL SECTION

SCALE: 3" = 1'-0"

10° BOW WINDOW HORIZONTAL SECTIONS

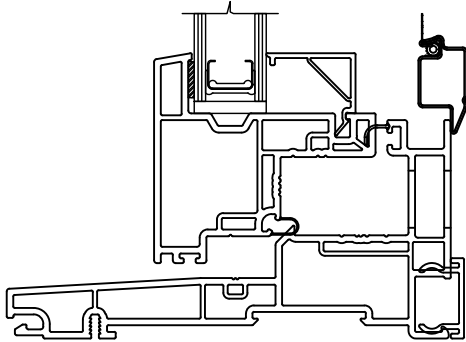


3-WIDE 10° BOW WINDOW  
HORIZONTAL SECTION  
(SHOWN)

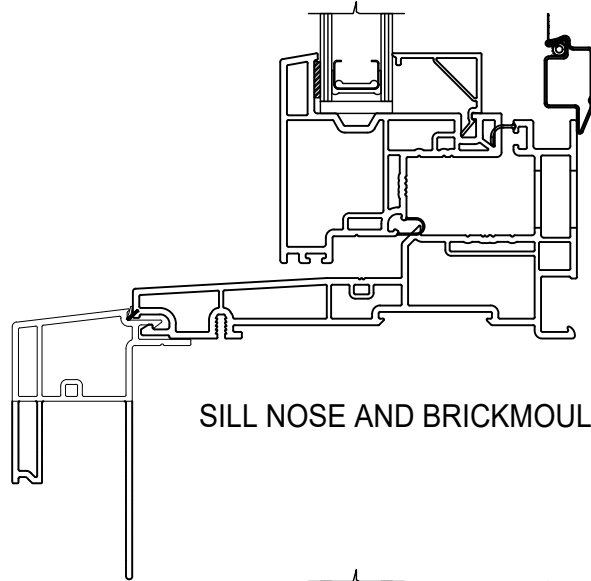
4-WIDE 10° BOW WINDOW  
HORIZONTAL SECTION

5-WIDE 10° BOW WINDOW  
HORIZONTAL SECTION

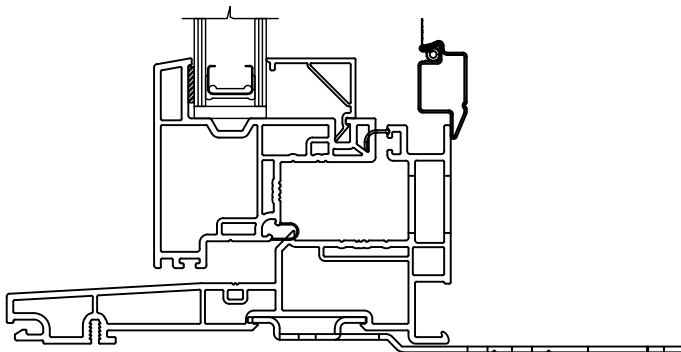
SCALE: 6" = 1'-0"



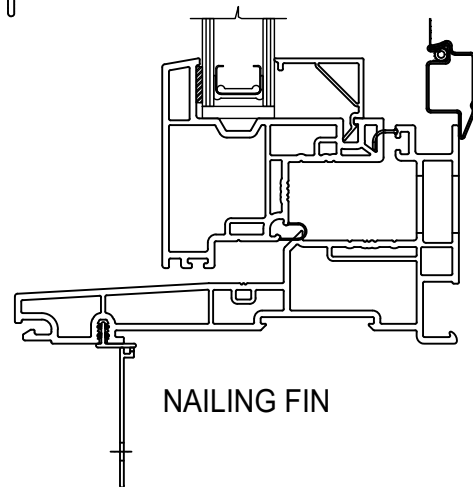
INTERIOR SLOT COVER



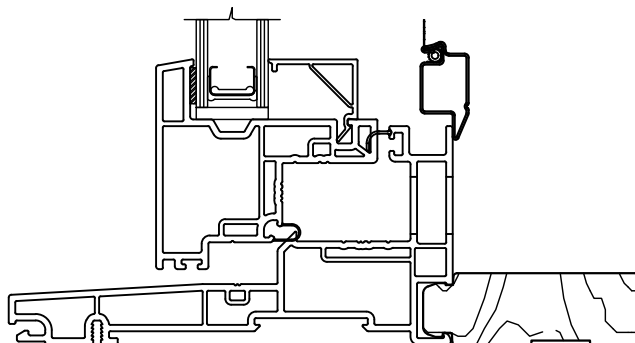
SILL NOSE AND BRICKMOULDS



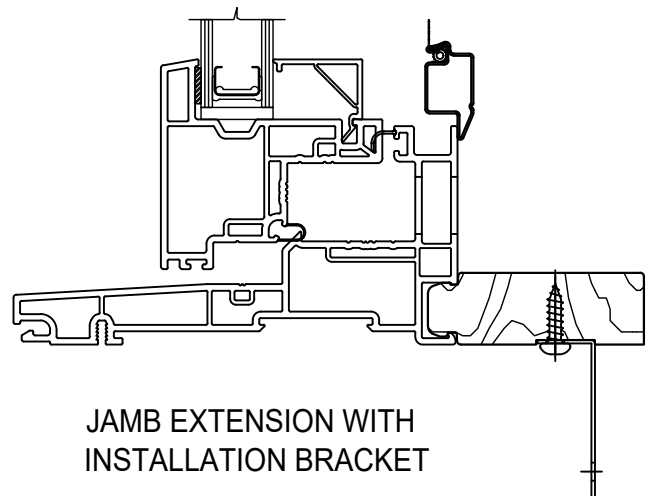
MASONRY CLIP



NAILING FIN



JAMB EXTENSIONS



JAMB EXTENSION WITH  
INSTALLATION BRACKET