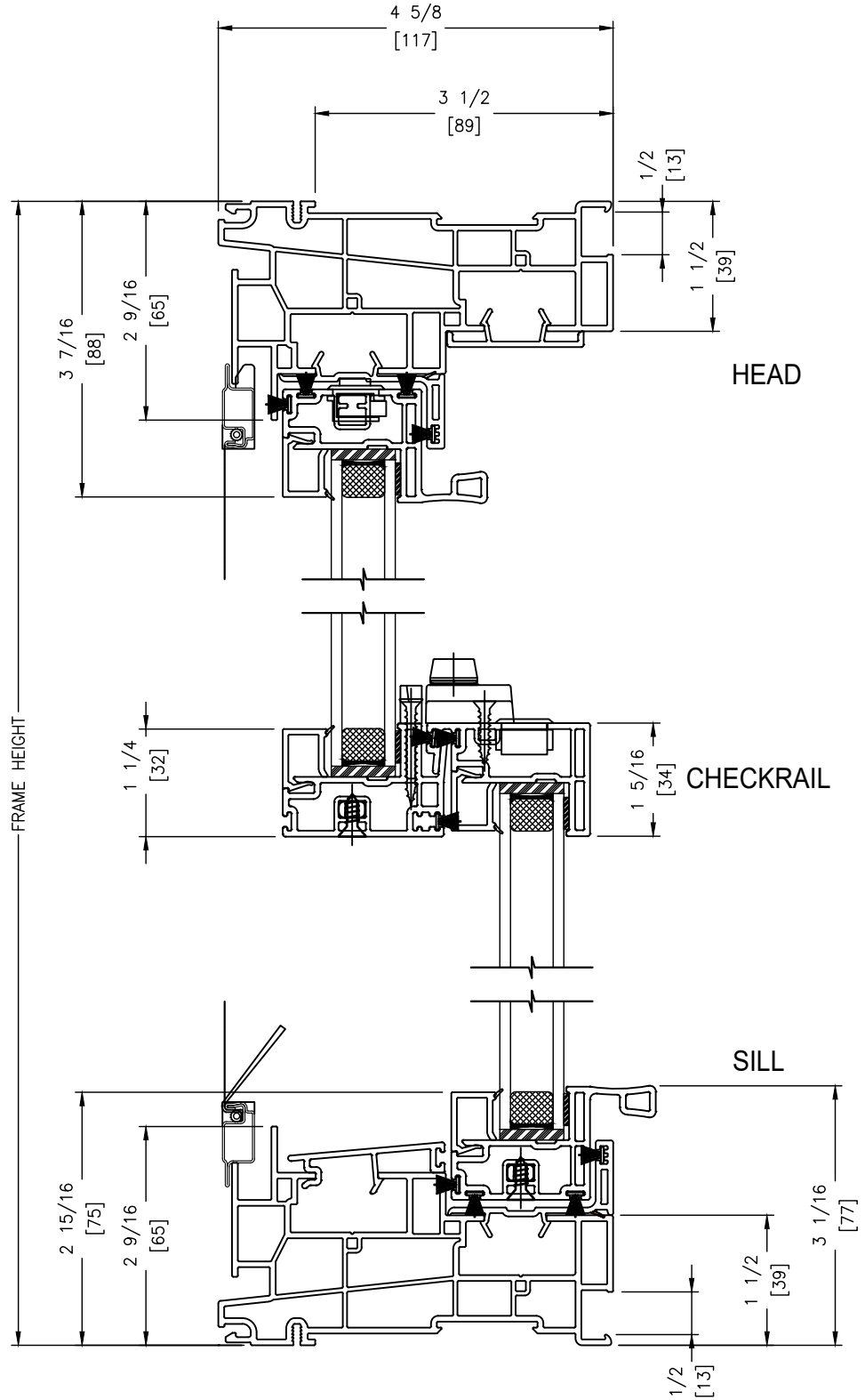
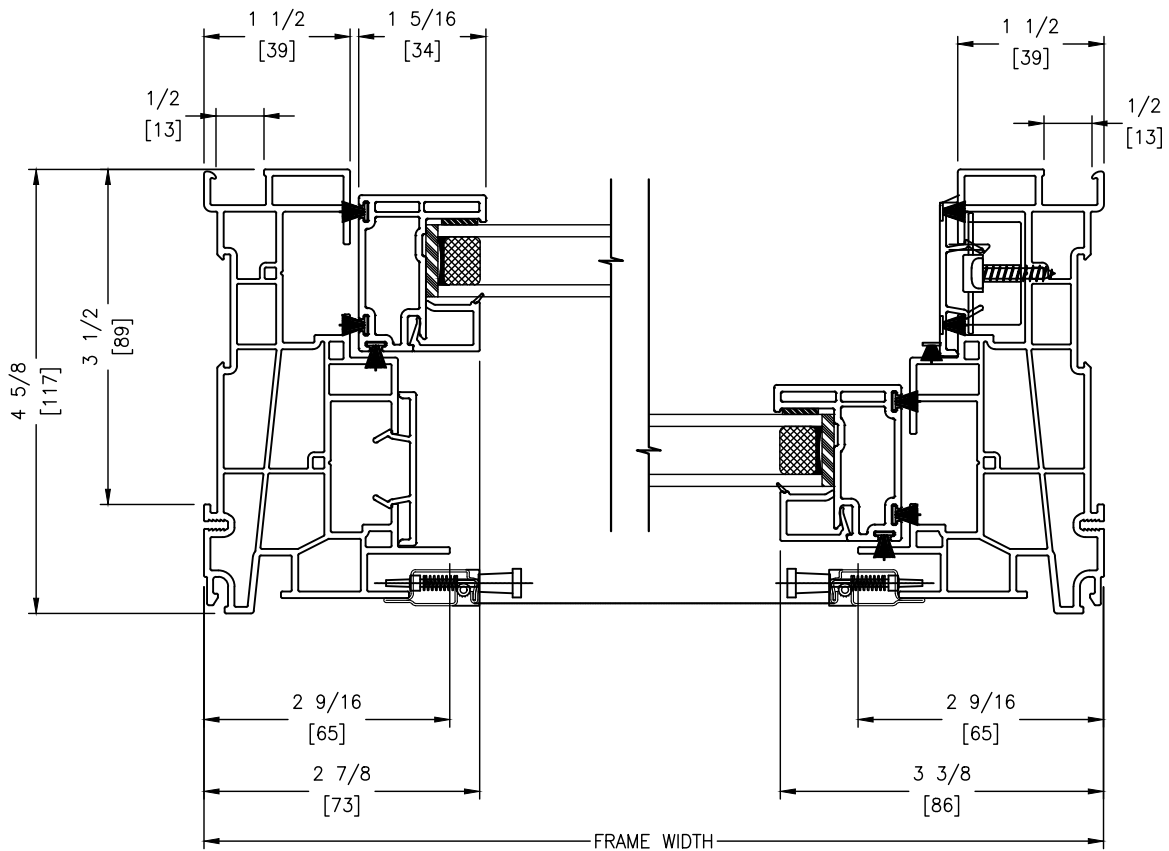


SCALE: 6" = 1'-0"
VERTICAL SECTION


SCALE: 6" = 1'-0"

HORIZONTAL SECTION

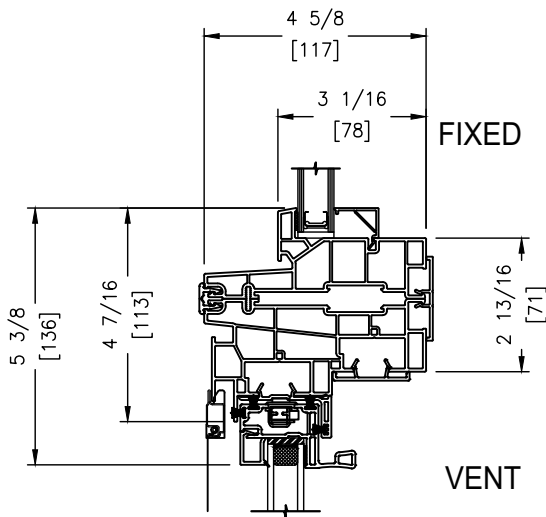


JAMB

JAMB

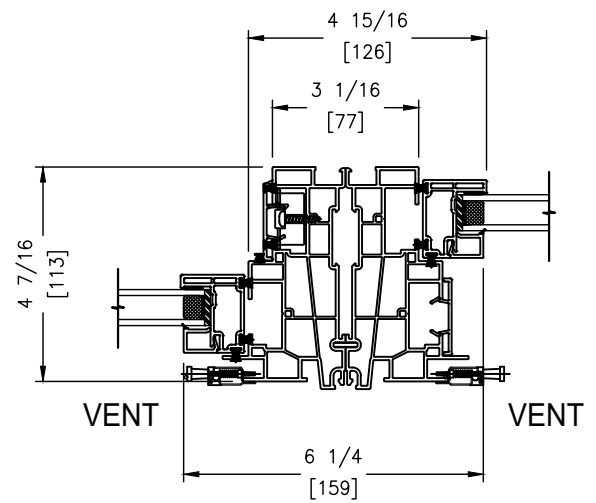
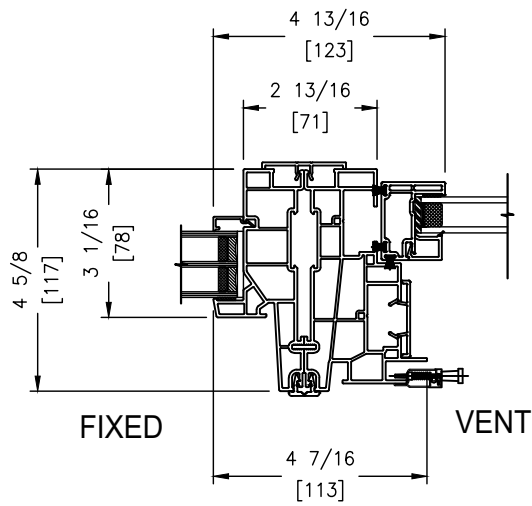
SCALE: 3" = 1'-0"

VERTICAL JOINING MULLIONS

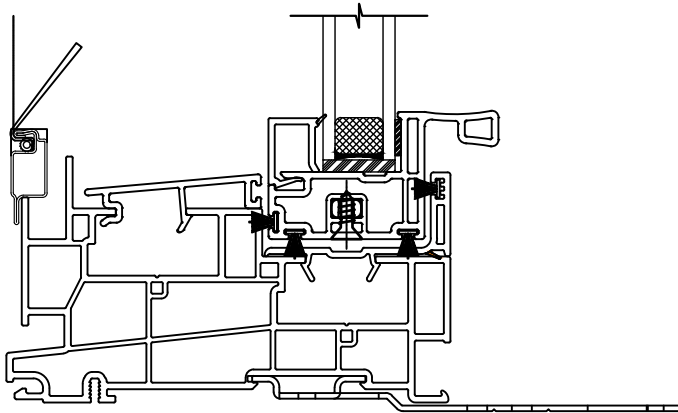


SCALE: 3" = 1'-0"

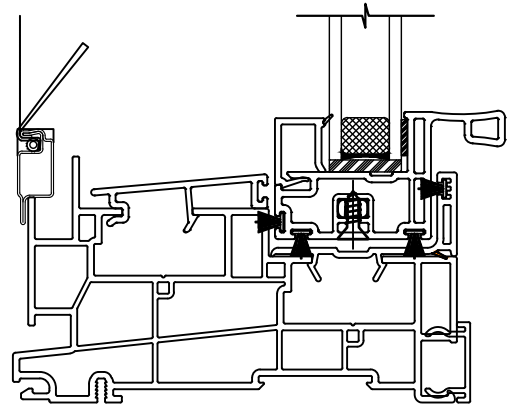
HORIZONTAL JOINING MULLIONS



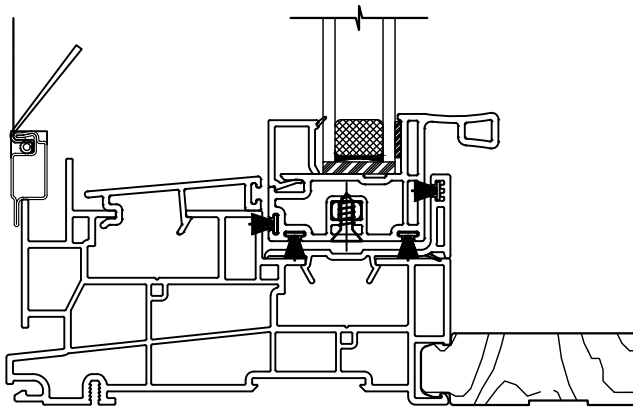
SCALE: 6" = 1'-0"



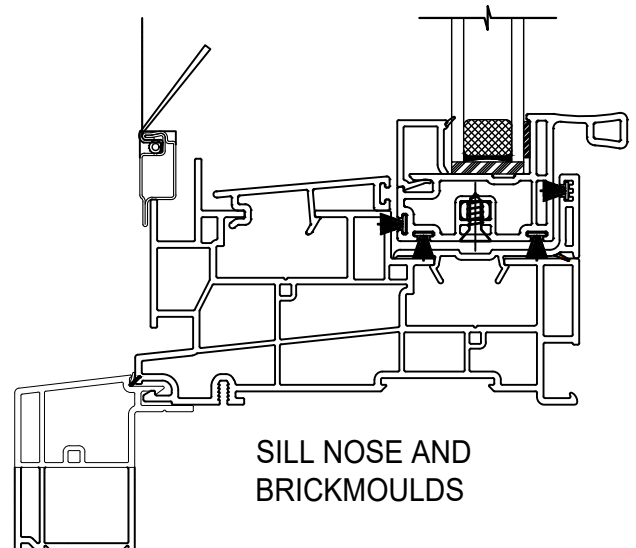
MASONRY CLIP



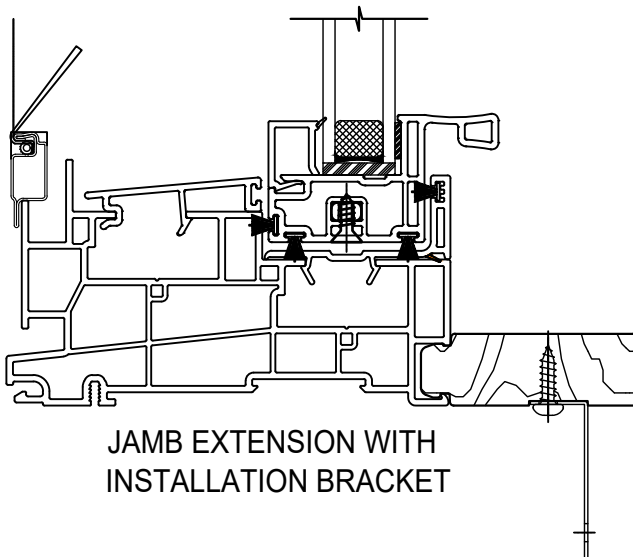
INTERIOR SLOT COVER



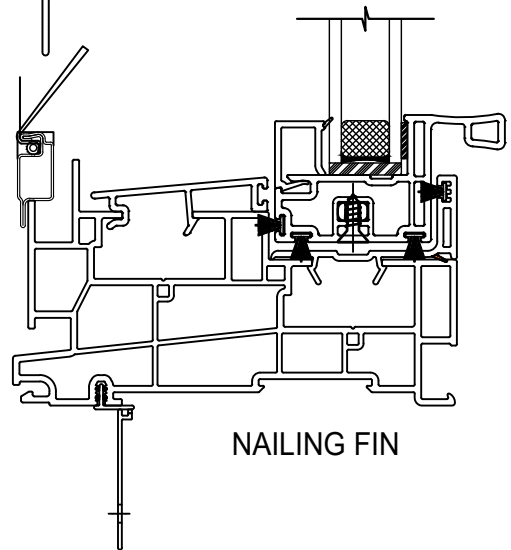
JAMB EXTENSIONS



SILL NOSE AND
BRICKMOULDS



JAMB EXTENSION WITH
INSTALLATION BRACKET



NAILING FIN