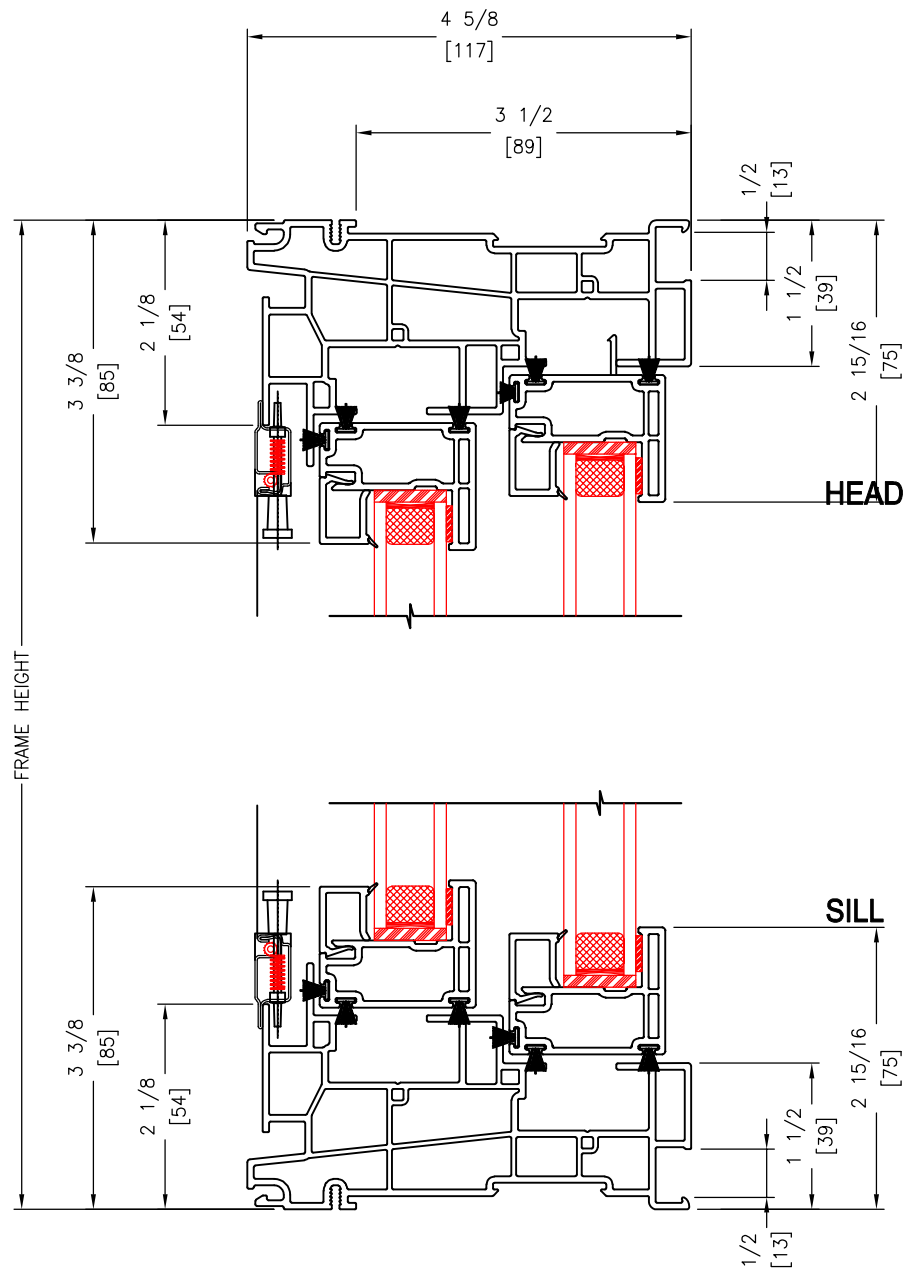
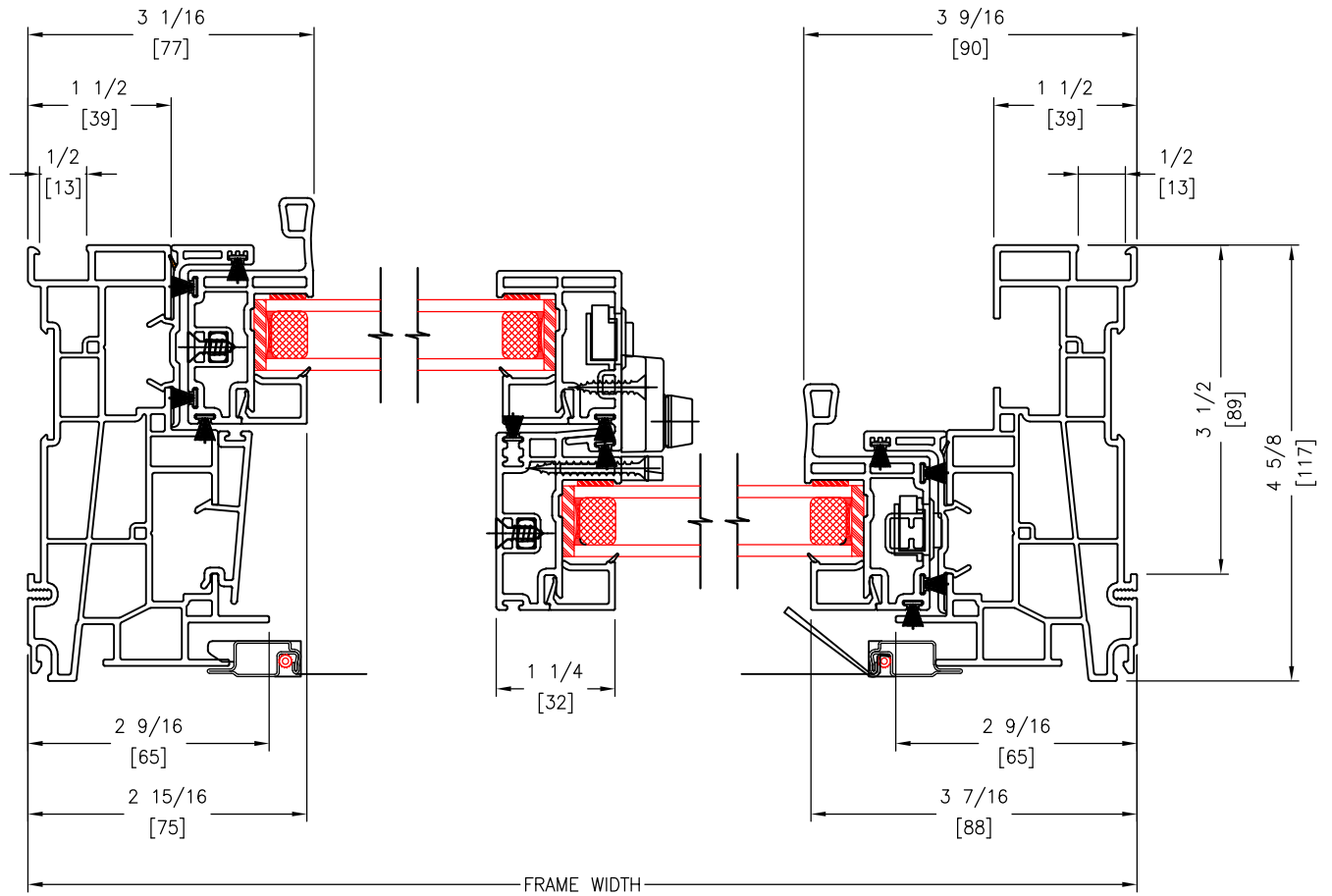
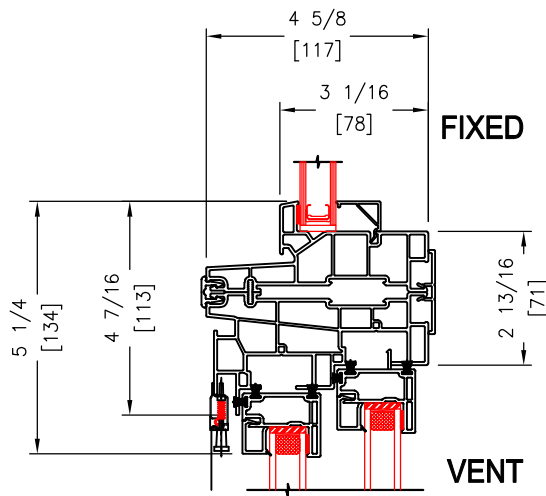
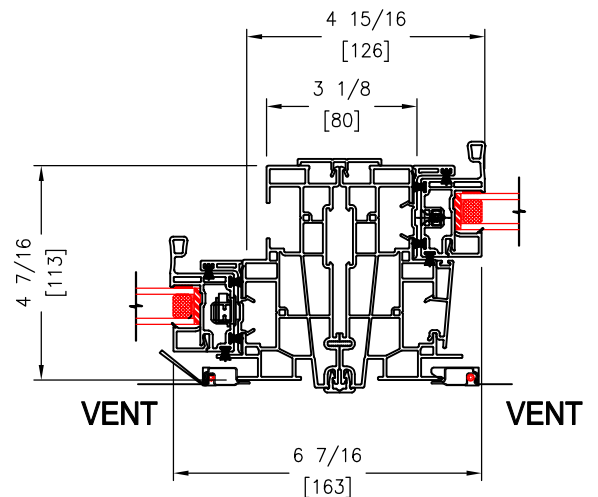
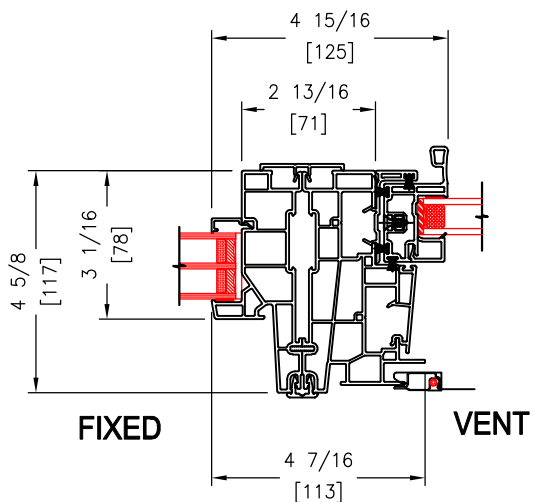
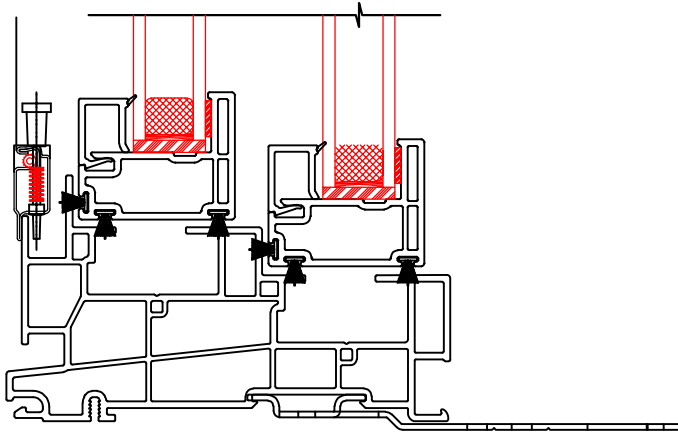


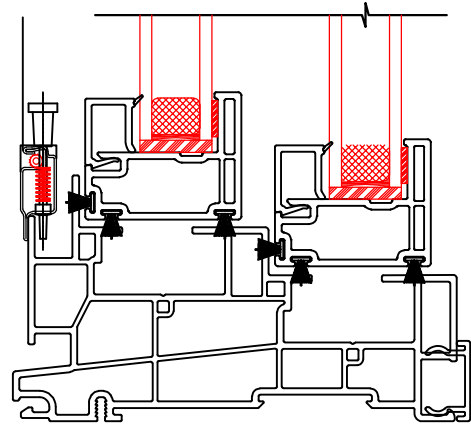
SCALE: 6" = 1'-0"
VERTICAL SECTION


SCALE: 6" = 1'-0"
HORIZONTAL SECTION

**JAMB
(INTERIOR SASH)**
CHECKRAIL
**JAMB
(EXTERIOR SASH)**

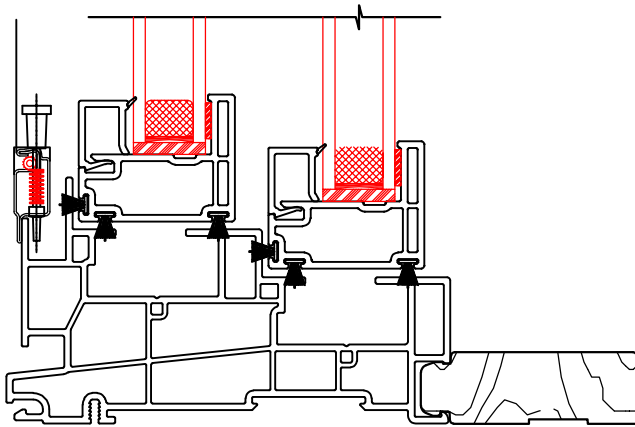
SCALE: 3" = 1'-0"
VERTICAL JOINING MULLIONS

SCALE: 3" = 1'-0"
HORIZONTAL JOINING MULLIONS




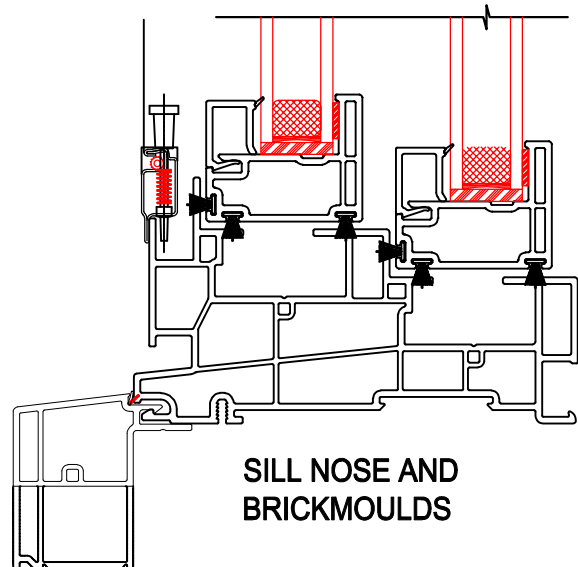
MASONRY CLIP



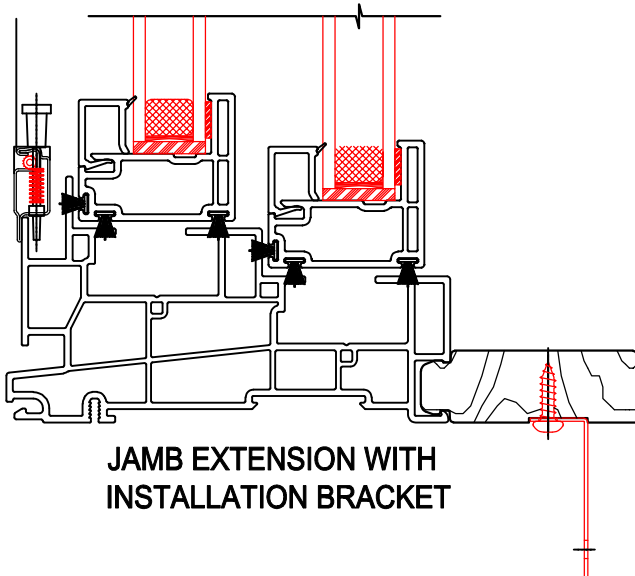
INTERIOR SLOT COVER



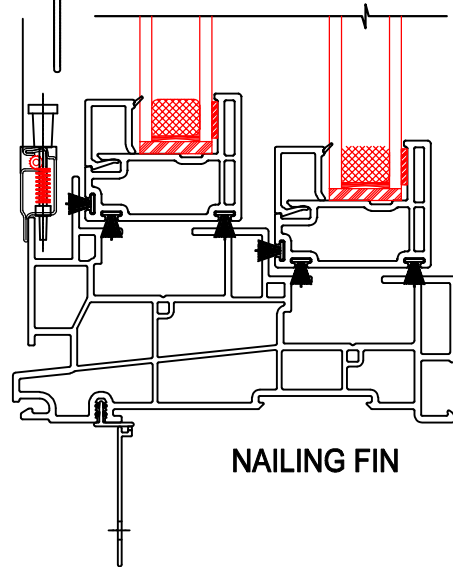
JAMB EXTENSIONS



**SILL NOSE AND
BRICKMOULDS**



**JAMB EXTENSION WITH
INSTALLATION BRACKET**



NAILING FIN