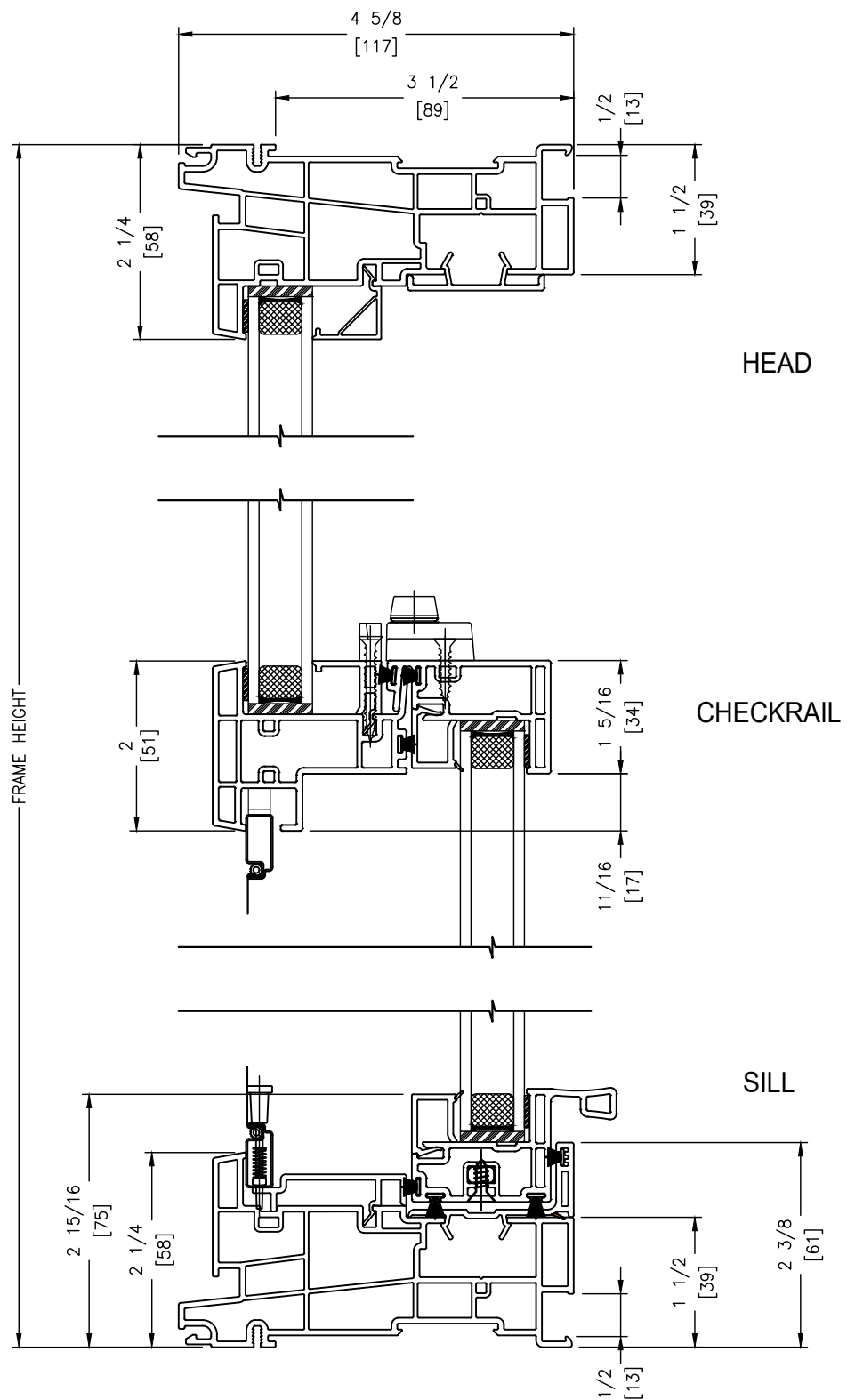


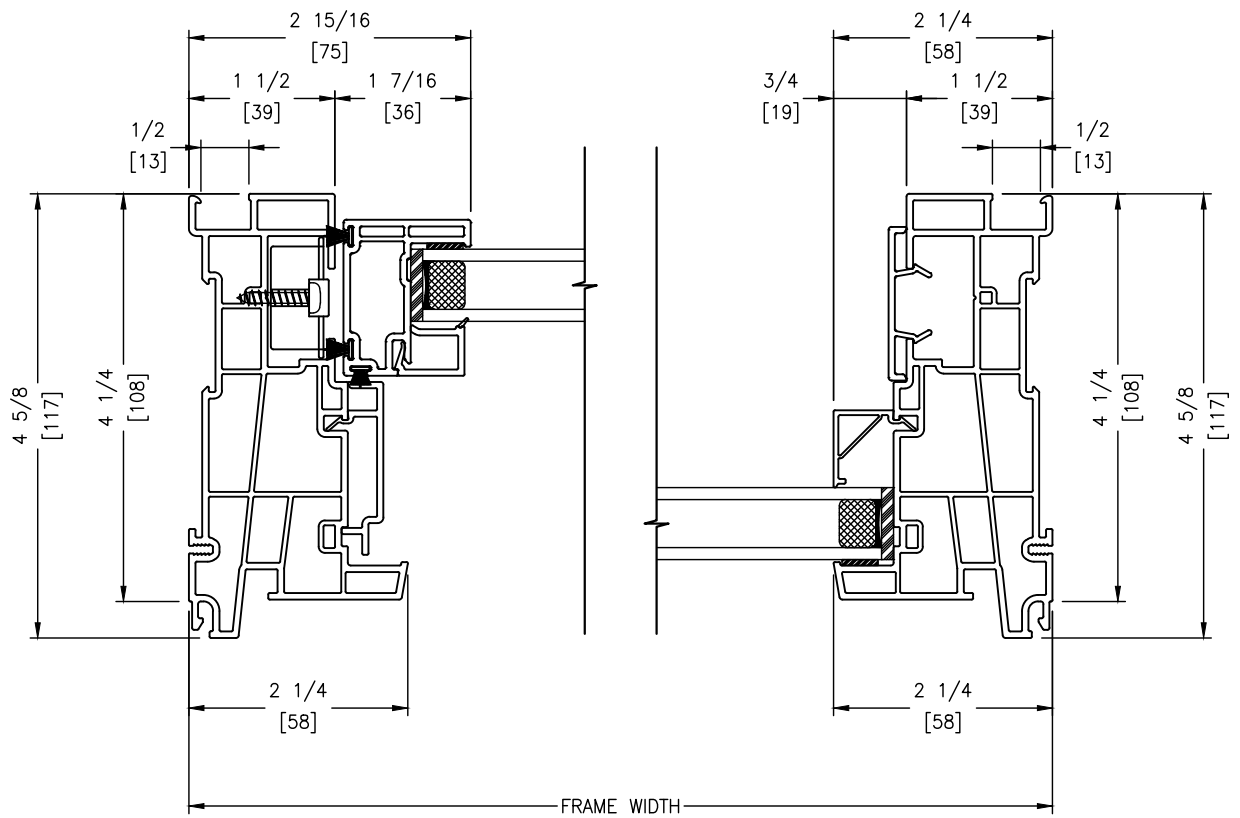
SCALE: 6" = 1'-0"

VERTICAL SECTION



SCALE: 6" = 1'-0"

HORIZONTAL SECTION

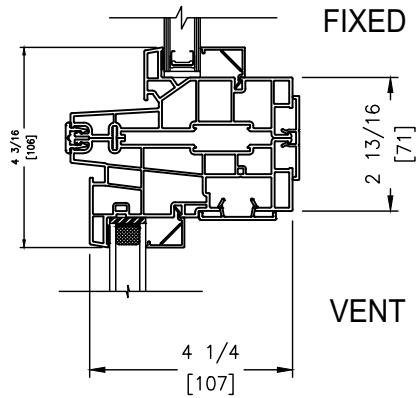


UPPER JAMB

LOWER JAMB

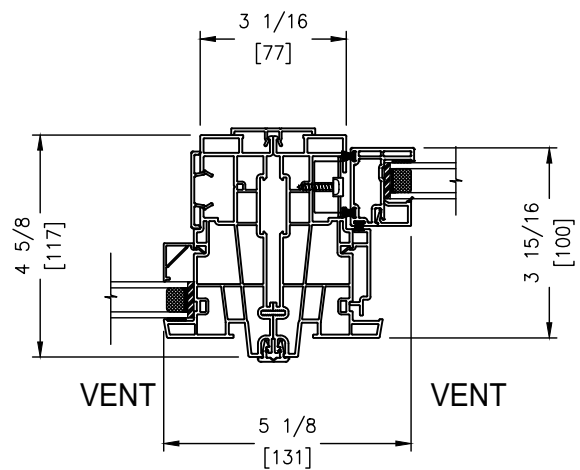
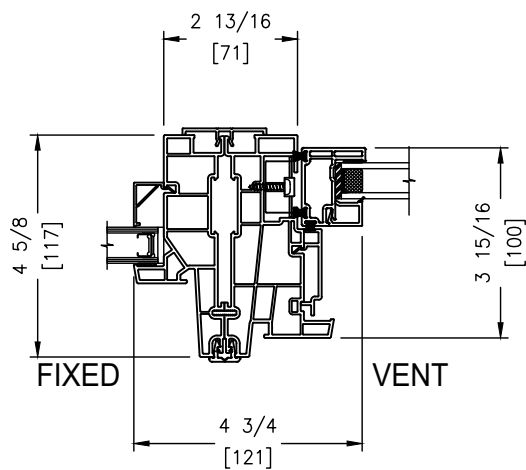
SCALE: 3" = 1'-0"

VERTICAL JOINING MULLIONS

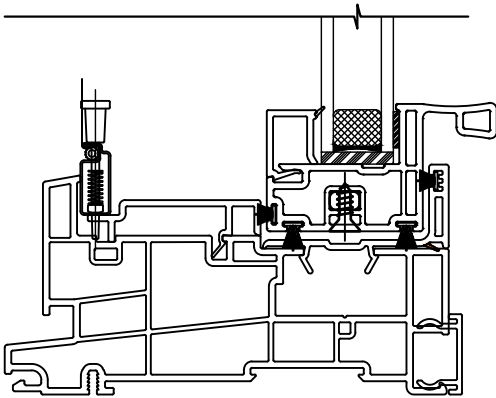


SCALE: 3" = 1'-0"

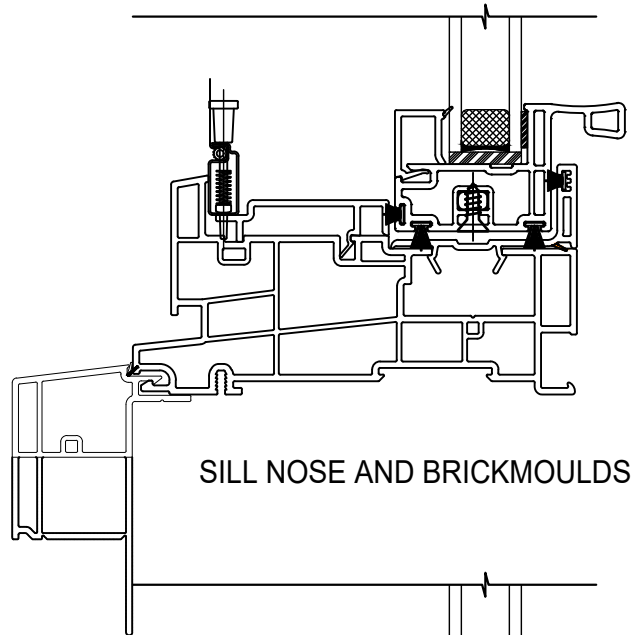
HORIZONTAL JOINING MULLIONS



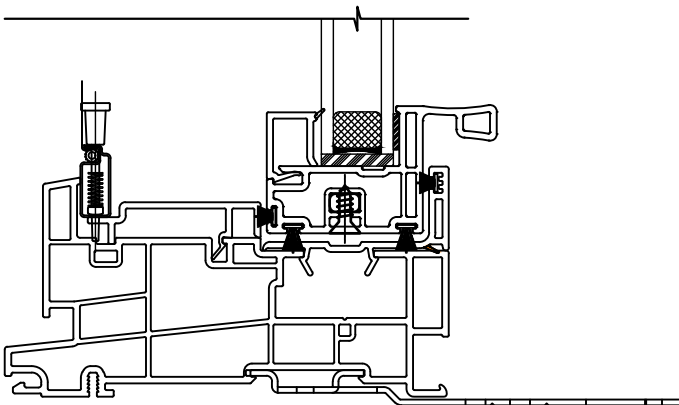
SCALE: 6" = 1'-0"



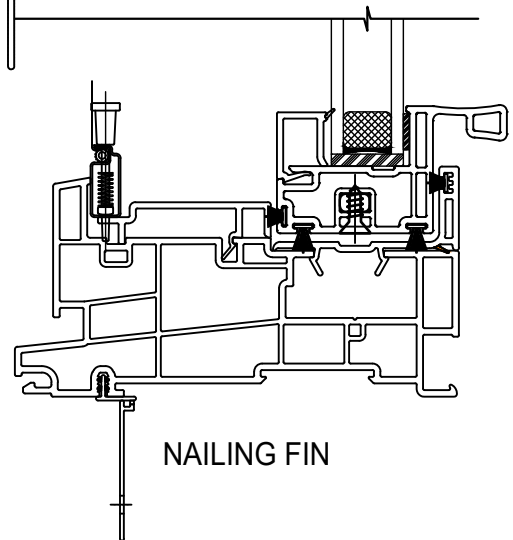
INTERIOR SLOT COVER



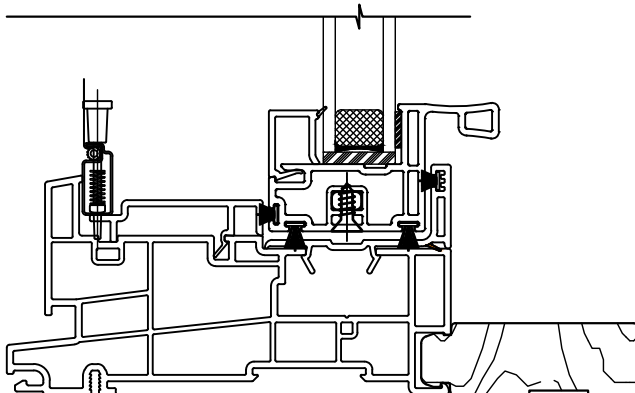
SILL NOSE AND BRICKMOULDS



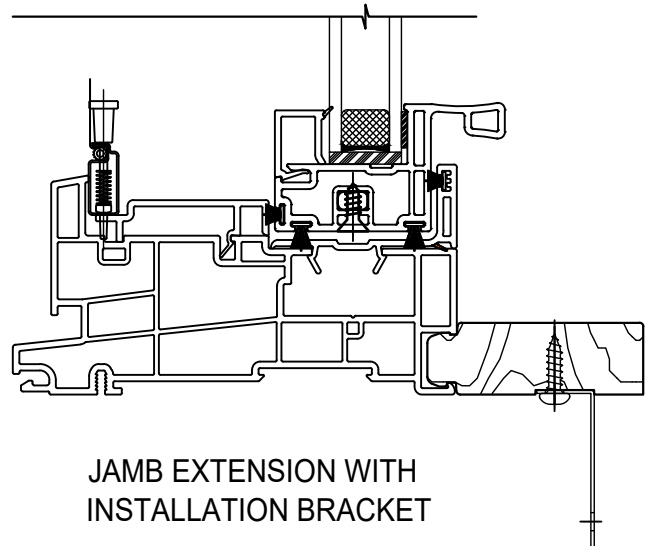
MASONRY CLIP



NAILING FIN



JAMB EXTENSIONS



JAMB EXTENSION WITH  
INSTALLATION BRACKET