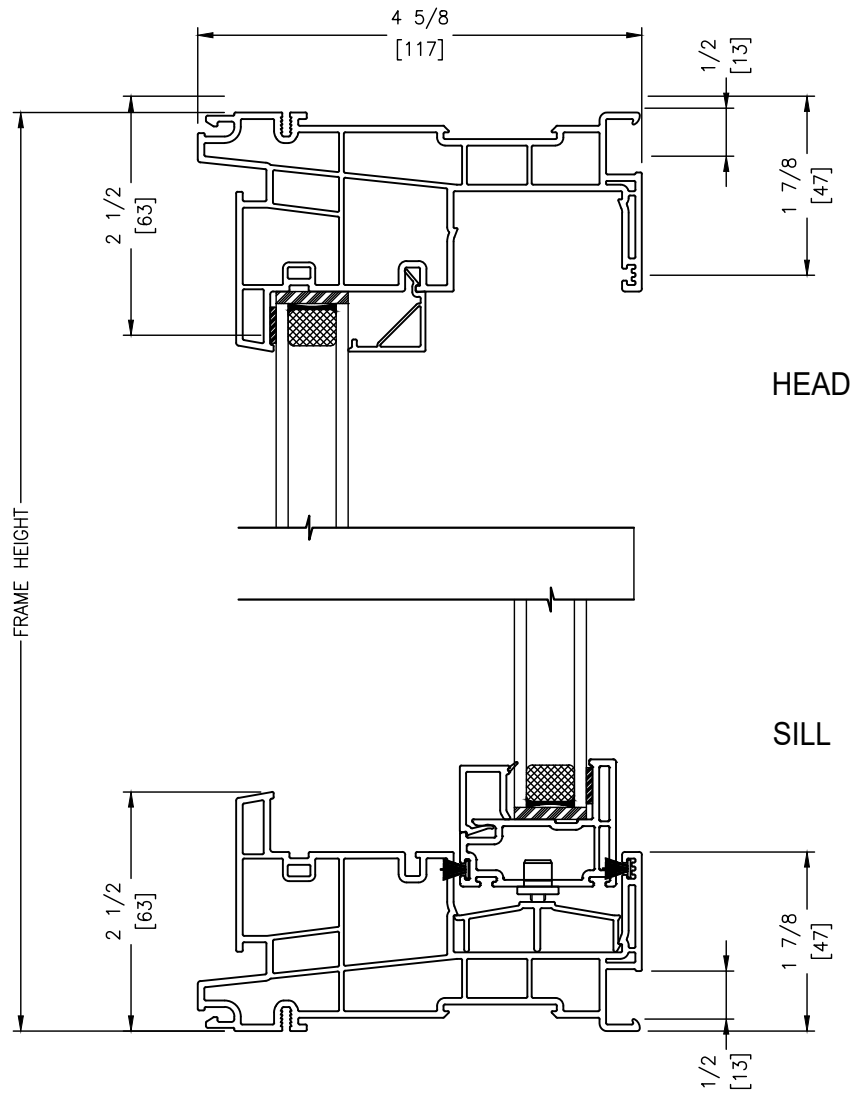


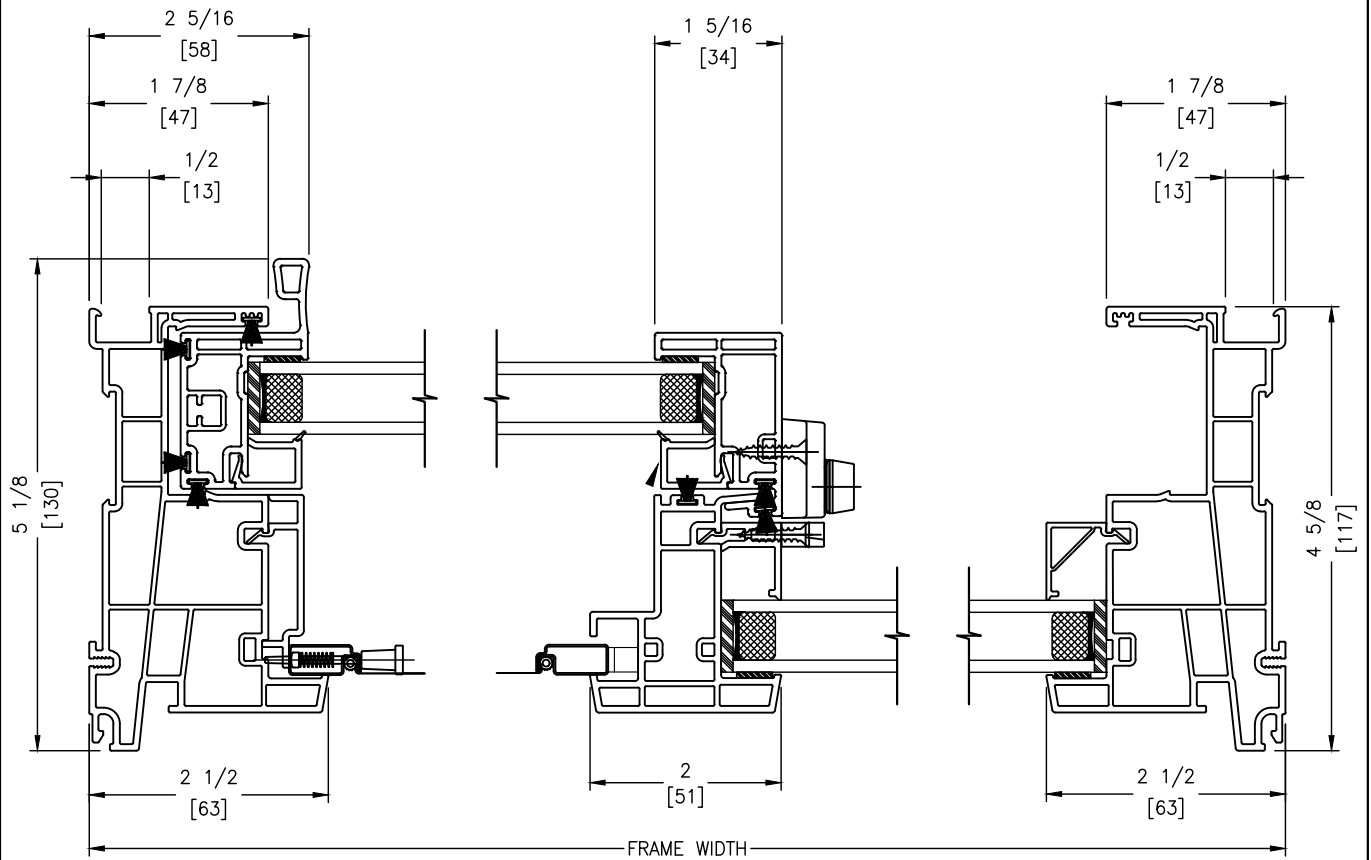
SCALE: 6" = 1'-0"

VERTICAL SECTION



SCALE: 6" = 1'-0"

HORIZONTAL SECTION



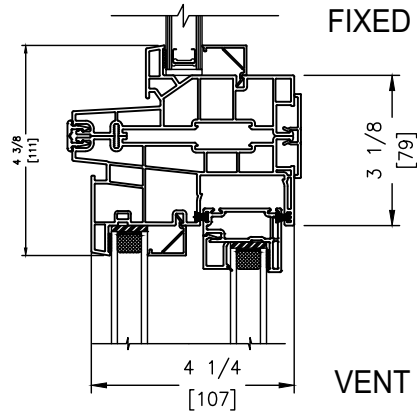
OPERATING JAMB

CHECKRAIL

FIXED JAMB

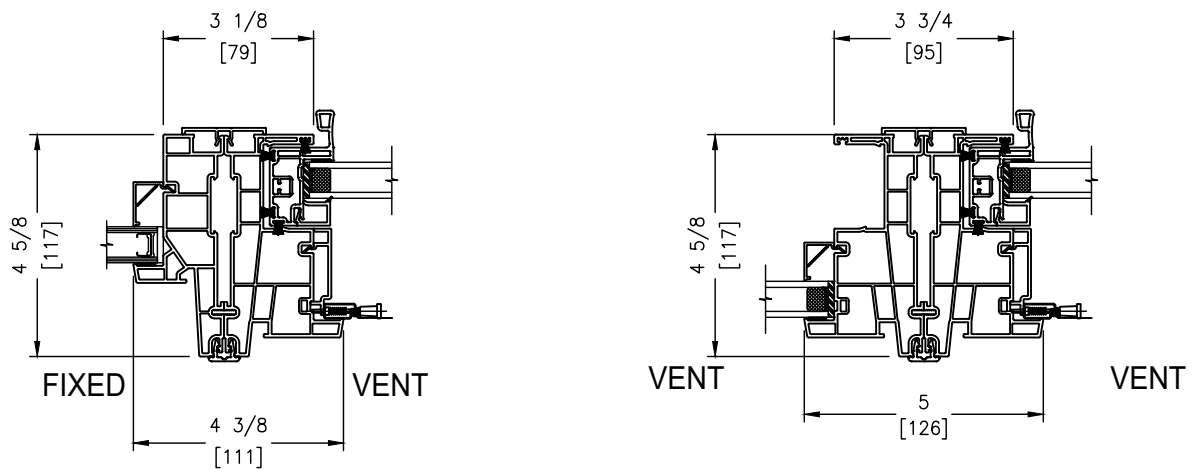
SCALE: 3" = 1'-0"

VERTICAL JOINING MULLIONS



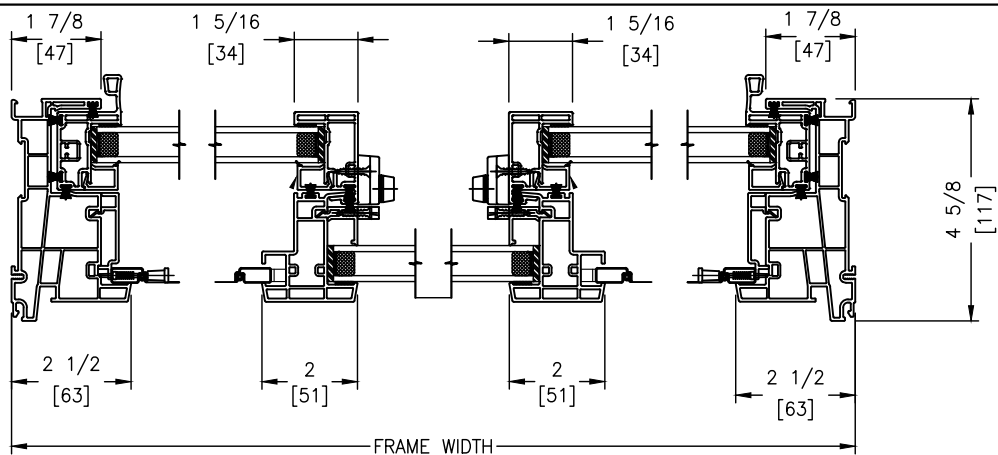
SCALE: 3" = 1'-0"

HORIZONTAL JOINING MULLIONS



SCALE: 3" = 1'-0"

END VENT HORIZONTAL SECTION

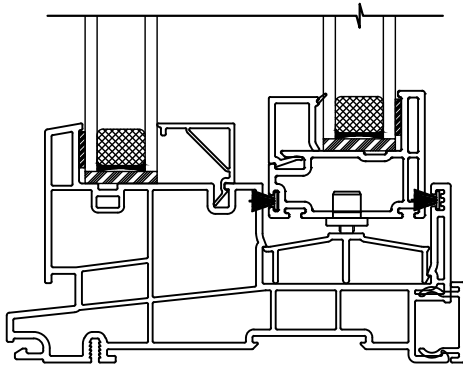


OPERATING SASH

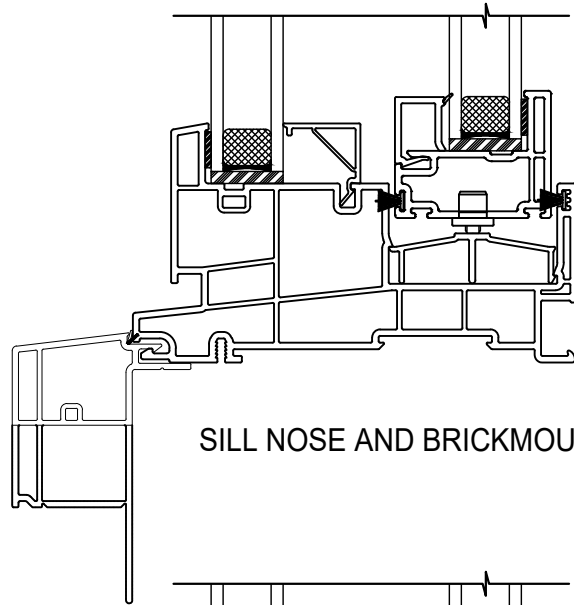
FIXED SASH

OPERATING SASH

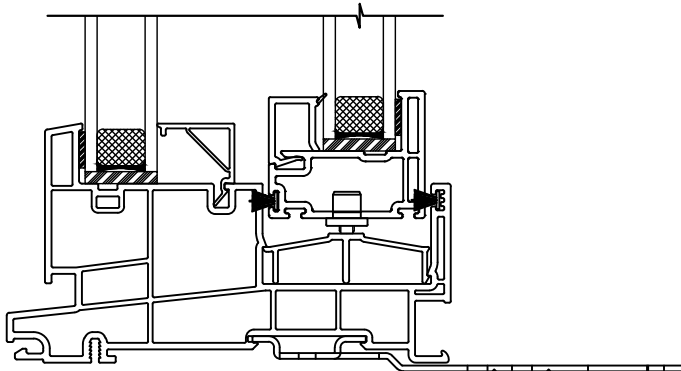
SCALE: 6" = 1'-0"



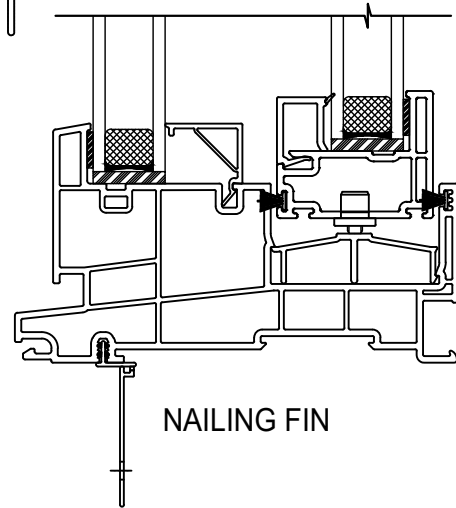
INTERIOR SLOT COVER



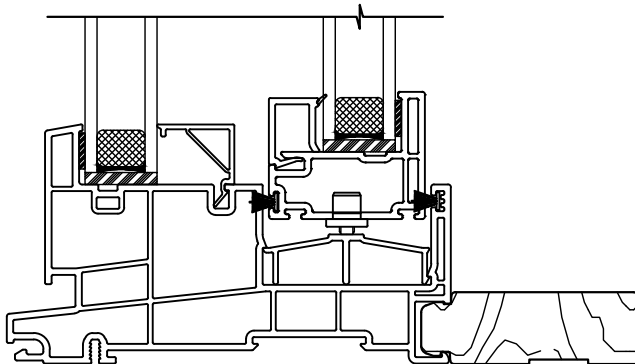
SILL NOSE AND BRICKMOULDS



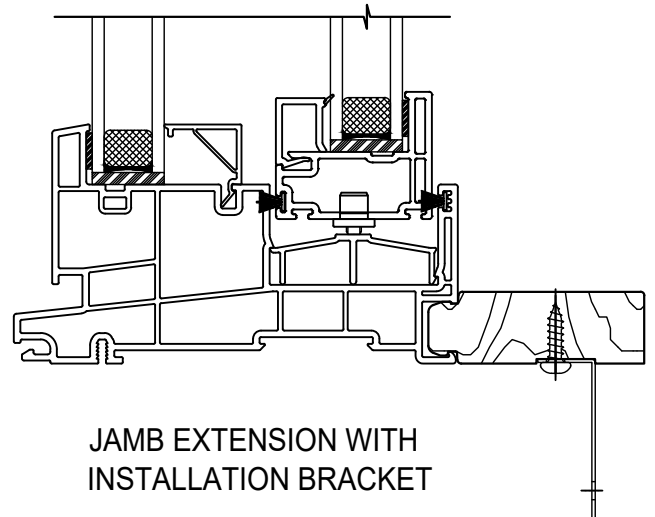
MASONRY CLIP



NAILING FIN



JAMB EXTENSIONS



JAMB EXTENSION WITH
INSTALLATION BRACKET