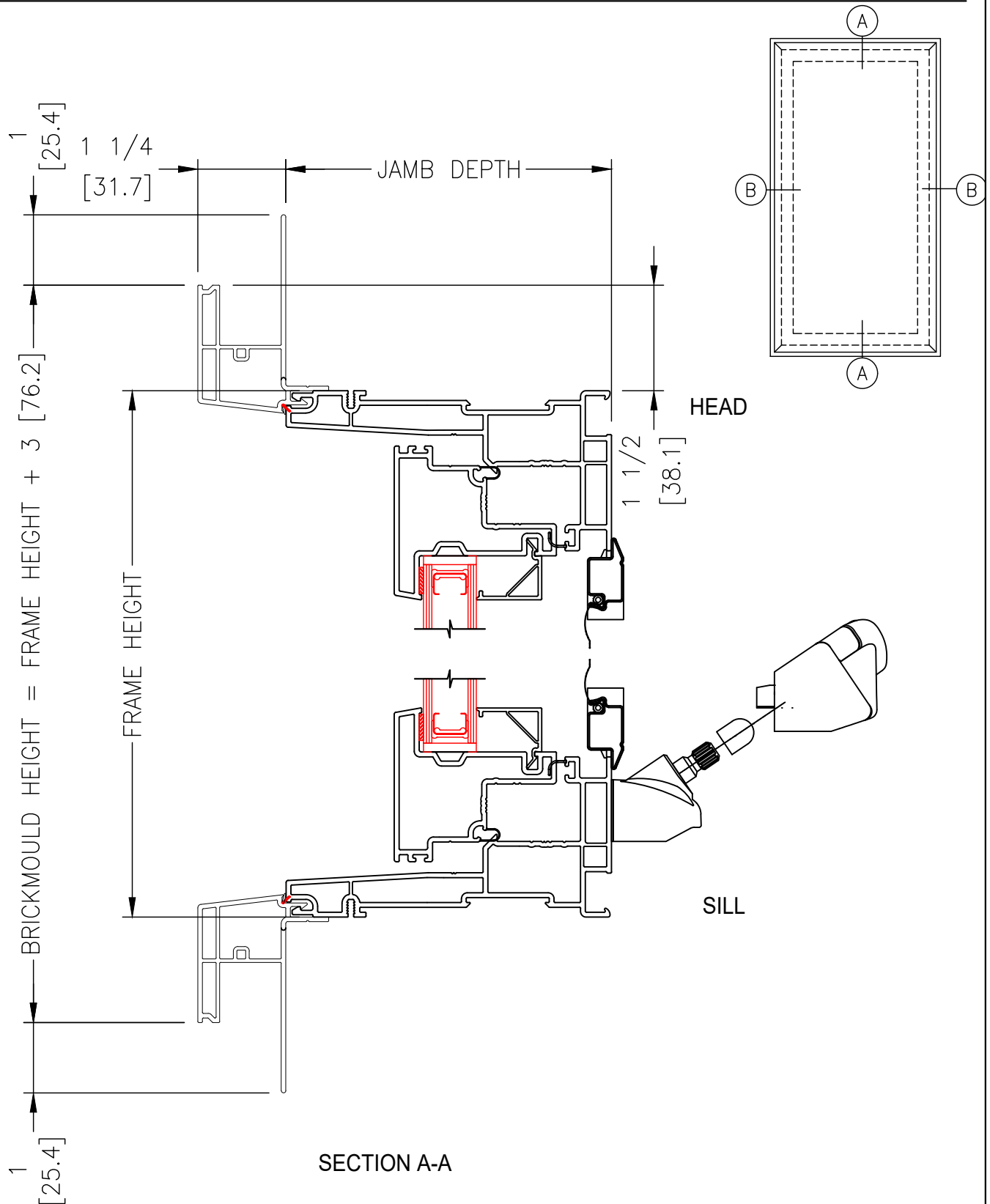


SCALE: 6" = 1'-0"

VERTICAL SECTION

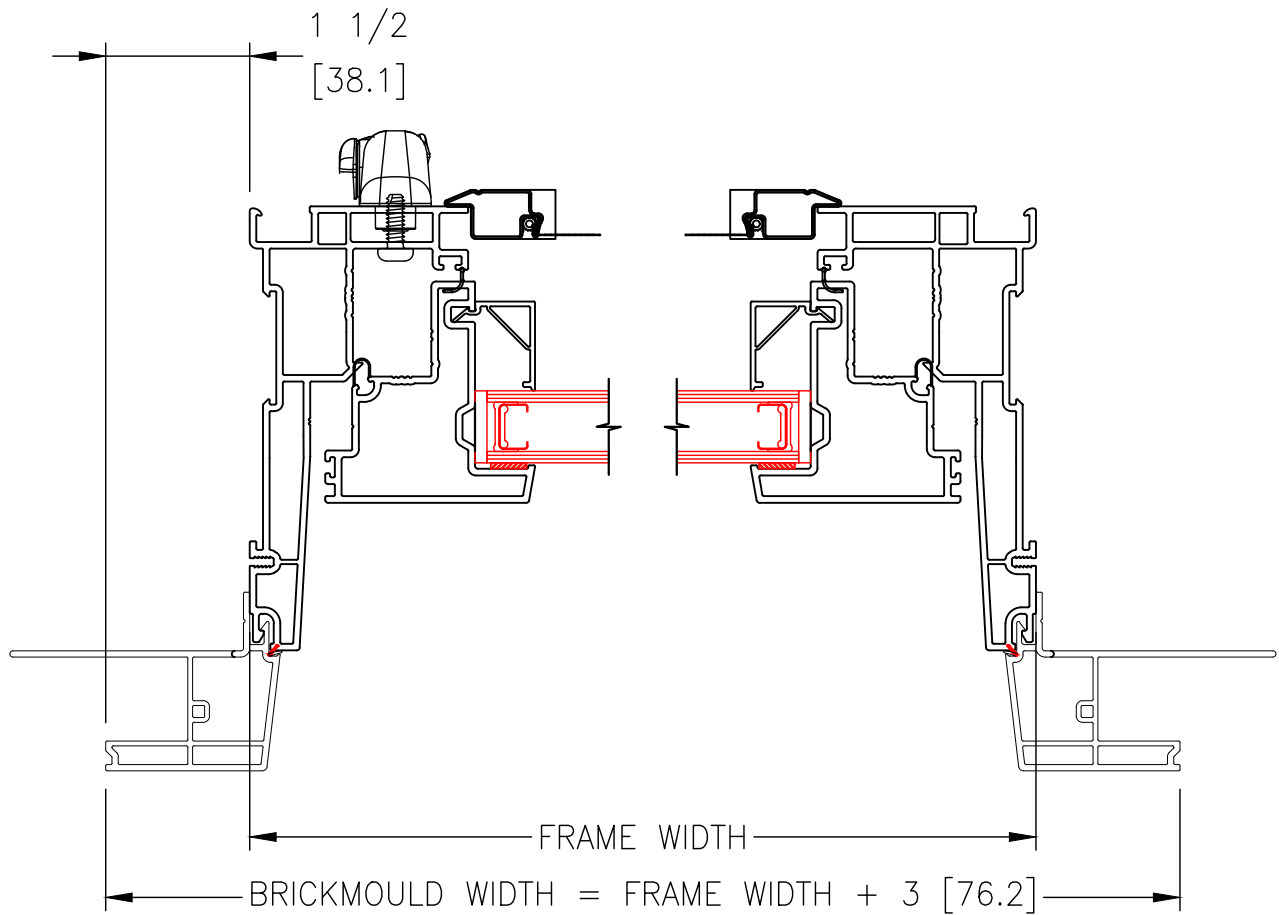


NOV 2025

BRICKMOULD WITH CASEMENT SECTIONS SHOWN
OTHER WINDOWS SECTION FOLLOW SAME DIMENSIONS

SCALE: 6" = 1'-0"

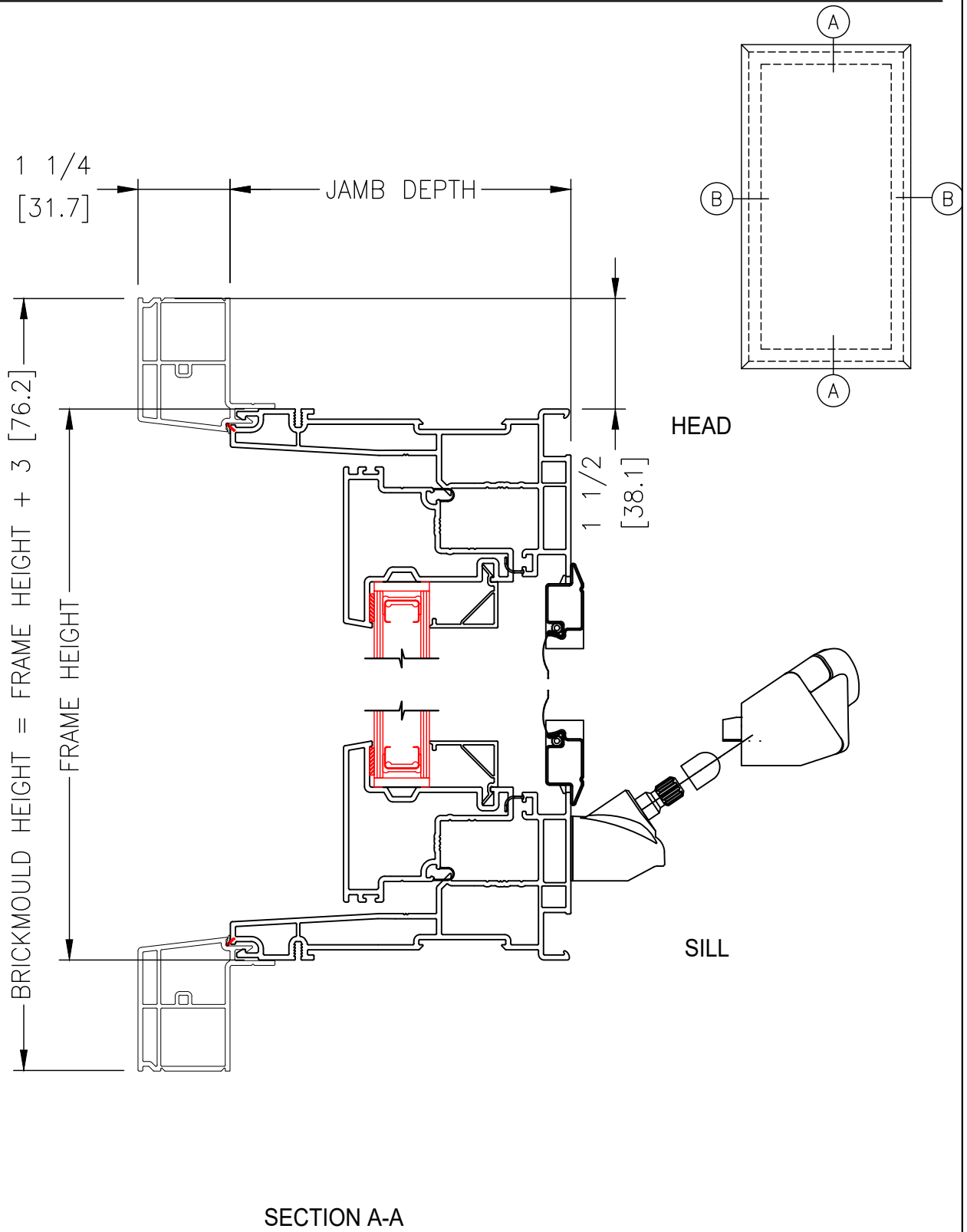
HORIZONTAL SECTION



SECTION B-B

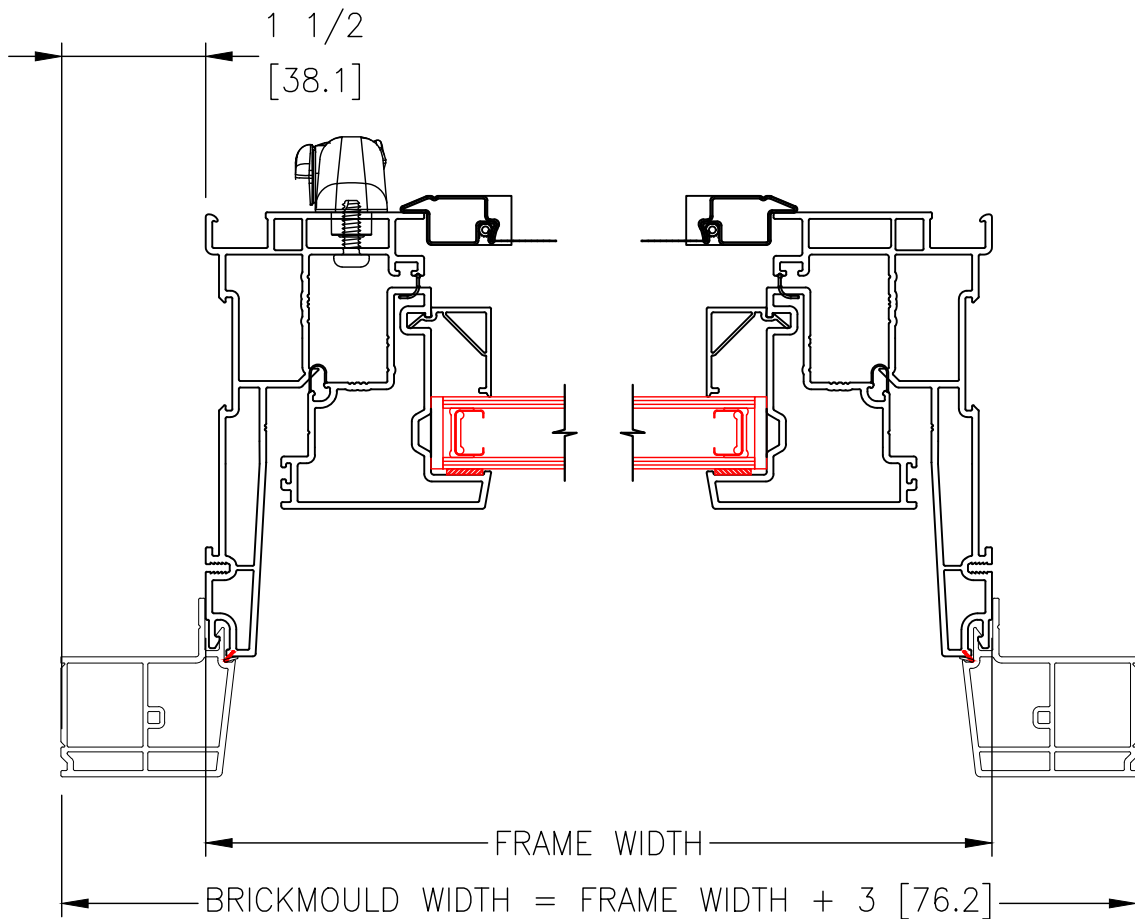
SCALE: 6" = 1'-0"

VERTICAL SECTION



SCALE: 6" = 1'-0"

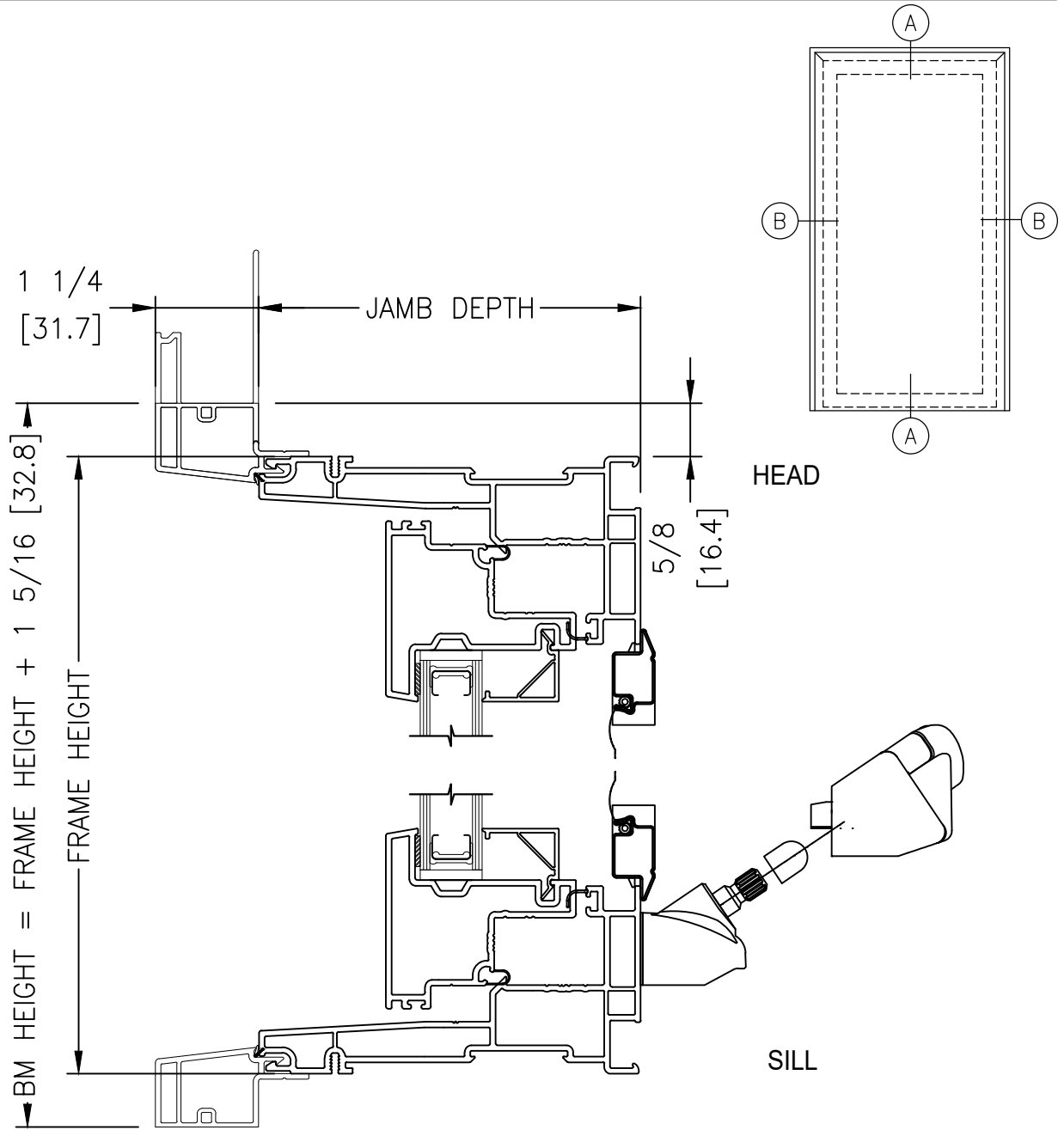
HORIZONTAL SECTION



SECTION B-B

SCALE: 6" = 1'-0"

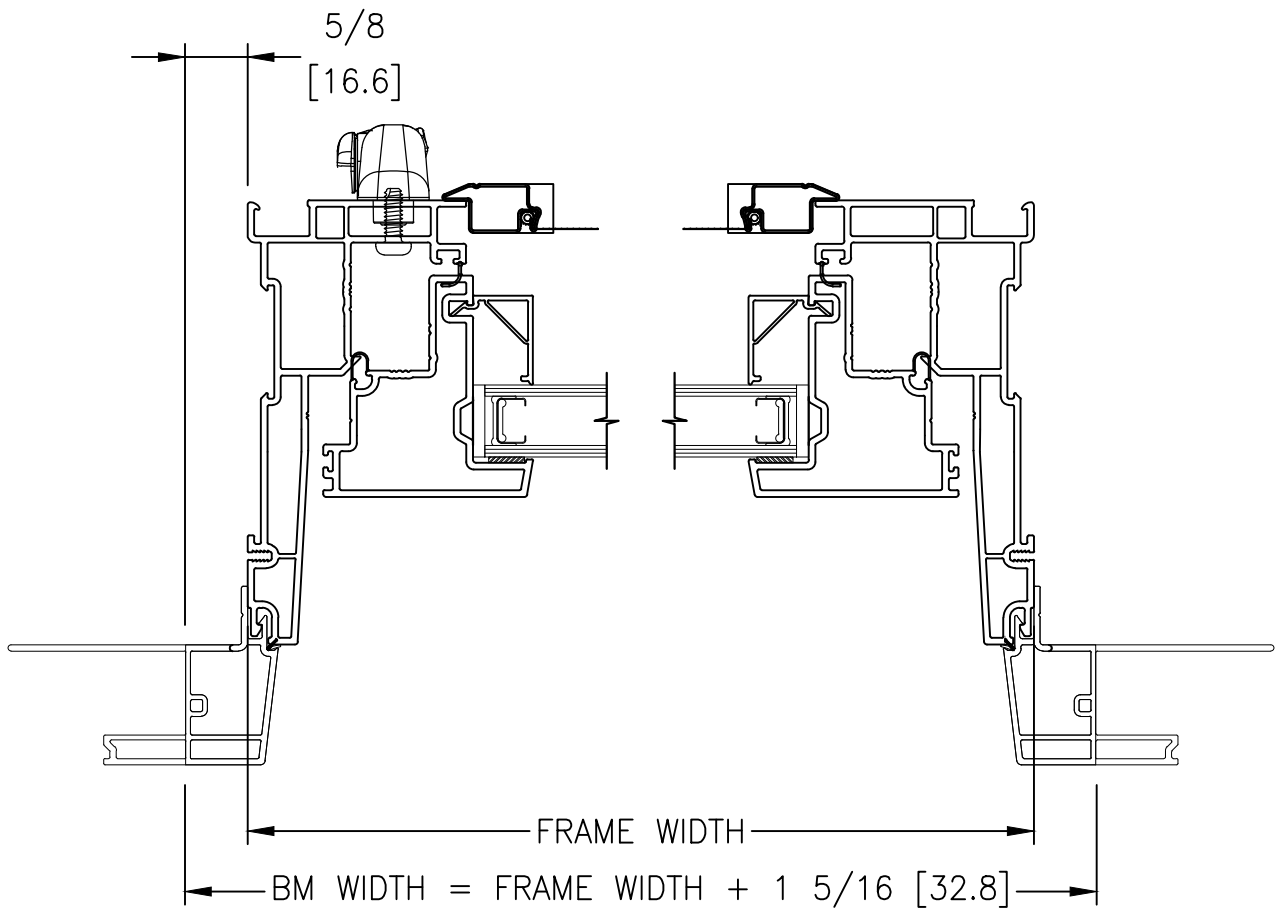
VERTICAL SECTION



BRICKMOULD WITH CASEMENT SECTIONS SHOWN
OTHER WINDOWS SECTION FOLLOW SAME DIMENSIONS

SCALE: 6" = 1'-0"

HORIZONTAL SECTION



SECTION B-B